

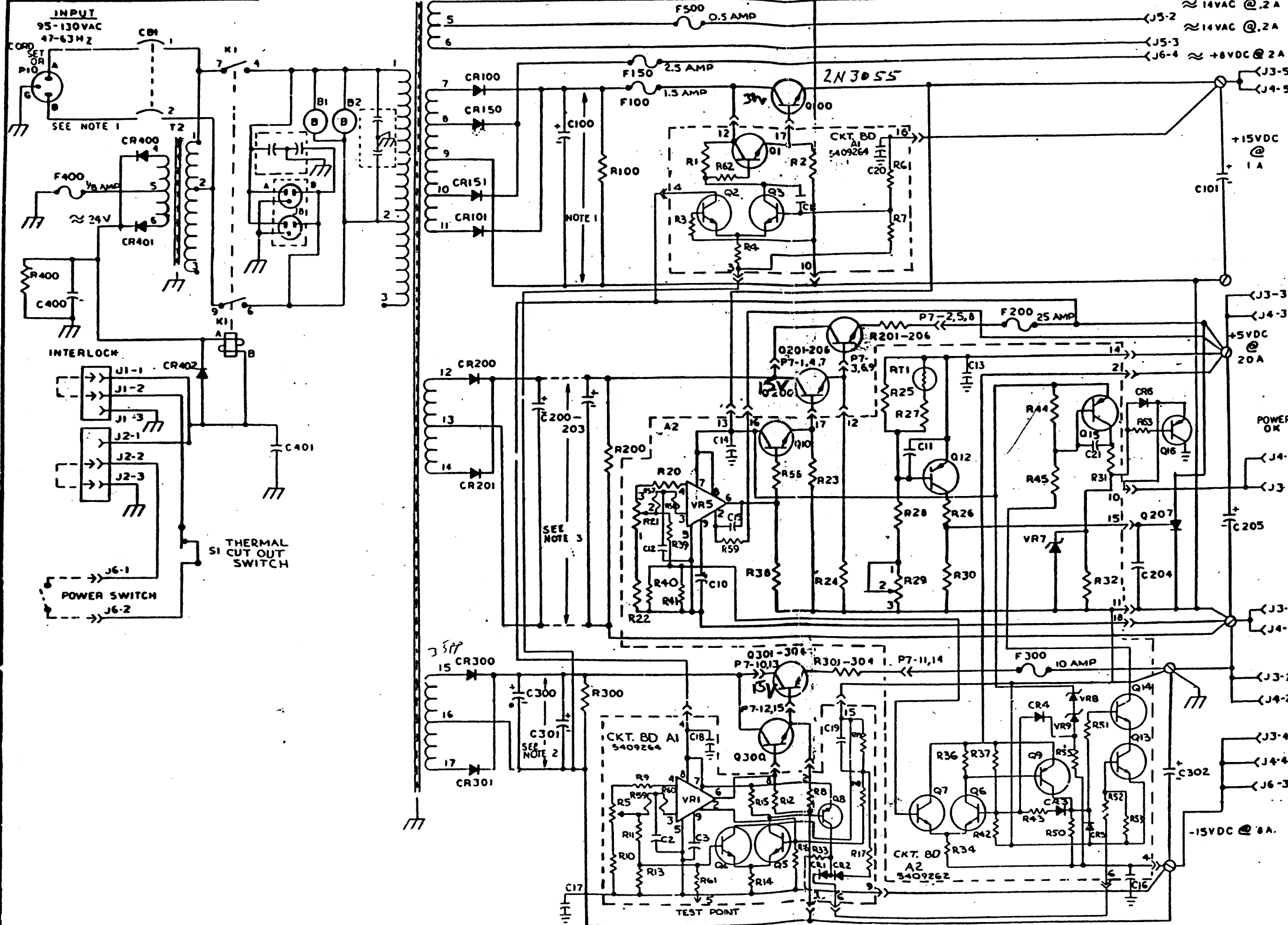
H724

DP S/E POWER SUPPLY

NOTES:

1. FOR POWER SUPPLIES MADE BY NORTH ELECTRIC CO. AC INPUT WILL BE THRU P10 INLET FOR POWER SUPPLIES MADE BY DEC, AC INPUT WILL BE THROUGH CORD SET DEC PART #700006-15
 2. +18VDC MINIMUM
 +36VDC MAXIMUM
 3. +8.6VDC MINIMUM
 +18VDC MAXIMUM

THIS SCHEMATIC IS FURNISHED ONLY FOR TEST AND MAINTENANCE PURPOSES. THE COMPANY ASSUMES NO RESPONSIBILITY IN REPAIR AND SHOULD BE TREATED AS A GENERAL REFERENCE ONLY. EQUIPMENT SHOULD BE REPAIRED BY QUALIFIED PERSONNEL.



REF DES	DESCRIPTION	PART NO.
FILTER ASSEMBLY		
A1	CONTROL BOARD A1	5409264
A2	CONTROL BOARD A2	5409262
Q100	2N3055 TO-41 CASE	1510008
Q300-304	2N3055 TO-41 CASE	1510008
Q200-206	2N3055 TO-41 CASE	1510008
R100R300	RES 300Ω 10W 5%	130088-0
R200	RES 100Ω 25W 5%	1302888
R201-206	RES .14R5W 1%	1301819
R301-304	RES .25R3W 1%	1302119
R400	RES 3.9K 1/2W 5%	1300043
S1	SWITCH THERMSTAT	1210199-0
T1	TRANSFORMER	116018-C
T2	TRANSFORMER	116017-0
J8	OUTLET AM #10103 OR EQWV	1203351
P10	MALE INLET AM #5278 OR EQWV	1203351
CR400A02	DIODE 1N645	1105319
F400	FUSE 1/8 SLO BLO	9000627
C401	CAP .01 MFD @ 200V DC	1001610
C400	CAP 270 MFD @ 50V DC	101092-C
Q1	MOVASBY	7002007
B1, 2	BLOWER	1209403
Q207	SCR PRV 100 IEC 85A	110183-C
C100	CAP 6000 MFD @ 40V DC	1010186
C101, 302	CAP 10,800 MFD @ 20V DC	1010185-C
C200-203	CAP 30,000 MFD @ 25V DC	1010184-0
C204	CAP 10 MFD @ 35V DC	1001776
C205	CAP 18,000 MFD @ 10V DC	1010187-0
C300, 301	CAP 14,000 MFD @ 40V DC	1010187-C
Q300-304	DIODE 1N4001	1100023
CB1	CKT. BRK. 10AMP	12 091-C
CR100, 101	DIODE 1N4721	110182-C
CR151, 151	DIODE 1N4721	110182-C
CR200, 201	DIODE 1N1185A	1109979
CR300, 301	DIODE 1N1201A	1100006
F500	FUSE .5A AGC	900720E
F100	FUSE 1.5 AGC	9008380
F150	FUSE 2.5A ABC	9008367
F200	FUSE 25A ABC	9008386
F300	FUSE 10A AB	9008390
K1	RELAY	121098-0
REF DES	DESCRIPTION	PART NO.

TRANSISTOR & DIODE CONVERSION CHART

TYPE	MANUFACTURER	PART NO.	DESCRIPTION
Q100	2N3055	1510008	TO-41 CASE
Q201-206	2N3055	1510008	TO-41 CASE
Q301-304	1N4001	1100023	DIODE

H724 SCHEMATIC

EQUIPMENT CORPORATION

DATE: 10/1/68

DESIGNER: J. M.

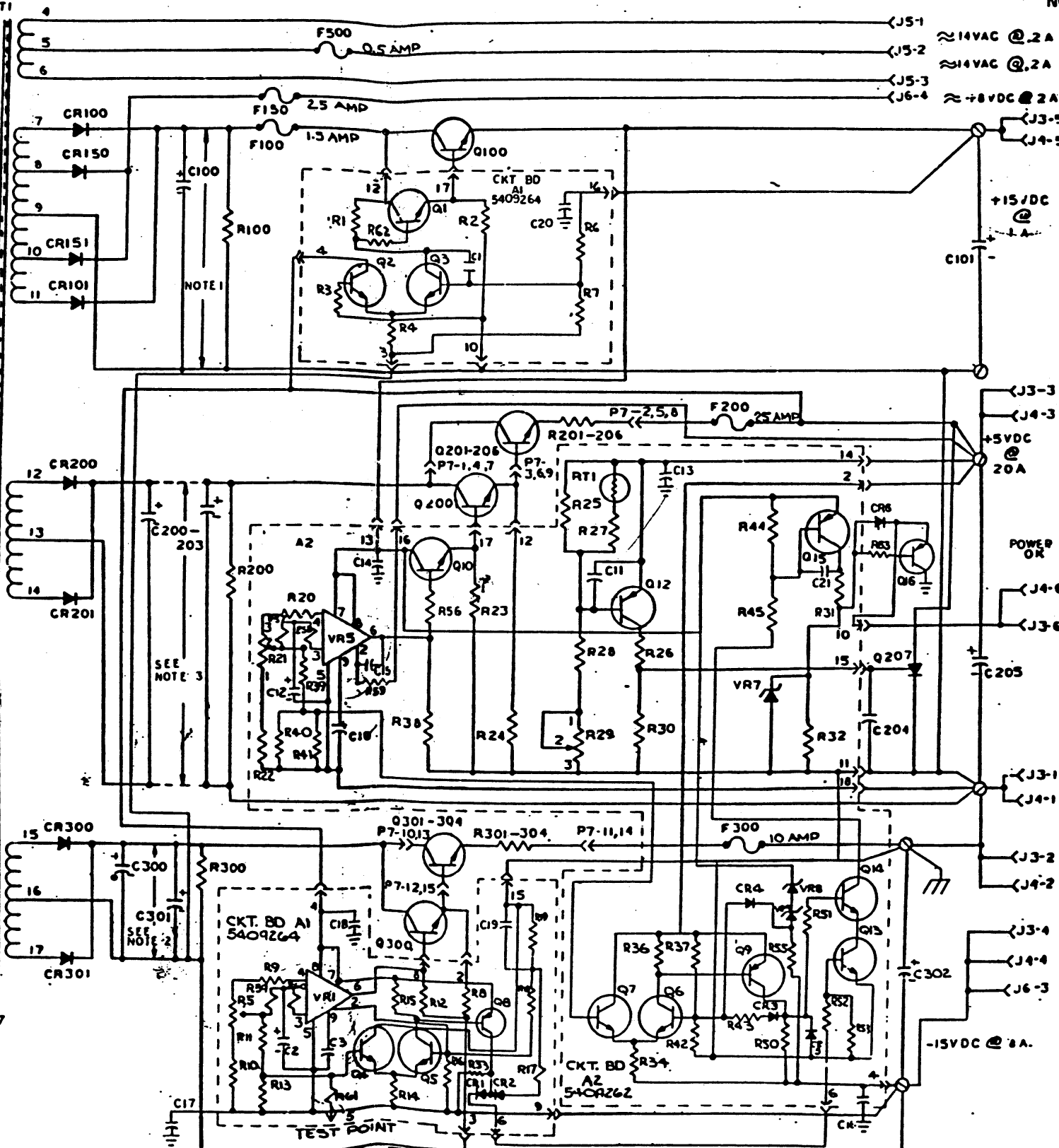
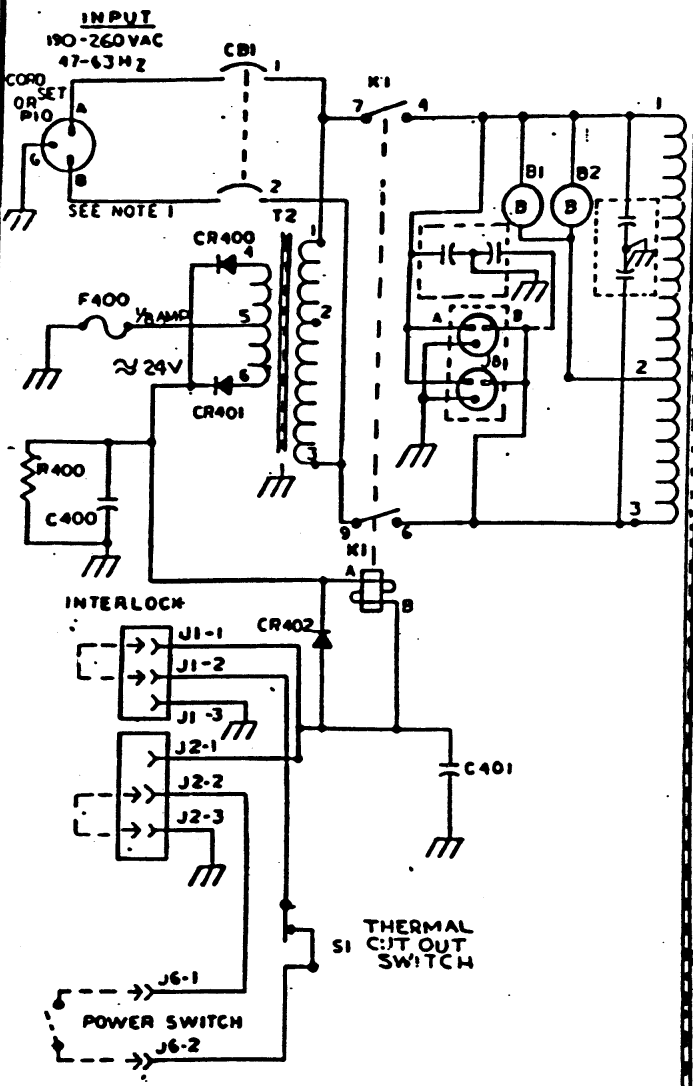
THIS SCHEMATIC IS FORWARDED ONLY FOR INFORMATION PURPOSES. THE SCHEMATIC IS NOT TO BE USED FOR REPAIR OR MAINTENANCE. REPAIRS SHOULD BE MADE BY THE EQUIPMENT OPERATOR.

NOTES:

FOR POWER SUPPLIES MADE BY NORTH ELECTRIC CO. AC INPUT WILL BE THROUGH P10 INLET FOR POWER SUPPLIES MADE BY DEC AC INPUT WILL BE THROUGH CORD SET DEC PART 1730003-15

2. +18.9VDC MINIMUM
+36VDC MAXIMUM

3. +8.6 VDC MINIMUM
+18VDC MAXIMUM



REF DES	DESCRIPTION	QTY
FILTER ASSEMBLY		
A1	CONTROL BOARD A1	1
A2	CONTROL BOARD A2	1
Q100-Q101	2N3055 TO-18 CASE	2
R100-R101	RES 300 Ω 10W 5%	2
R200	RES 100 Ω 25W 5%	1
R201-206	RES .14R5W 1%	6
R301-304	RES .25R3W 1%	4
R400	RES 3.9 K 1/2 W 5%	1
S1	SWITCH THERMOSTAT	1
T1	TRANS FORMER	1
T2	TRANS FORMER	1
J8	OUTLET AMP #3662-DOE COMV	1
P10	MALE INLET AMP #5678 OR EQUIV	1
F400-F401	DIODE 1N424	2
F400	FUSE 1/8 SLO BLO	1
C401	CAP .01MFD @ 200 VDC	1
C400	CAP 270 MFD @ 50 VDC	1
C100	CAP 6000 MFD @ 40 VDC	1
C101,302	CAP 10,000MFD @ 20 VDC	2
C200-203	CAP 30,000 MFD @ 25 VDC	3
C204	CAP 1.0MFD @ 35 VDC	1
C205	CAP 1000 MFD @ 10 VDC	1
C300,301	CAP 1000 MFD @ 40 VDC	2
F500-F501	DIODE 1N424	2
CBI	CKT. BRK. 5 AMP	1
CR100,101	DIODE 1N4721	2
CR150,151	DIODE 1N1185A	2
CR200,201	DIODE 1N1201A	2
CR300,301	DIODE 1N1201A	2
F500	FUSE .5A AGC	1
F100	FUSE 1.5 AGC	1
F150	FUSE 2.5A ABC	1
F200	FUSE 25A ABC	1
F300	FUSE 10A ABC	1
K1	RELAY	1
REF DES	DESCRIPTION	QTY

REF	SYM	VAL	UNIT
R1	RES	300	Ω
R2	RES	100	Ω
R3	RES	.145	Ω
R4	RES	.253	Ω
R5	RES	3.9	K
R6	RES	100	Ω
R7	RES	100	Ω
R8	RES	100	Ω
R9	RES	100	Ω
R10	RES	100	Ω
R11	RES	100	Ω
R12	RES	100	Ω
R13	RES	100	Ω
R14	RES	100	Ω
R15	RES	100	Ω
R16	RES	100	Ω
R17	RES	100	Ω
R18	RES	100	Ω
R19	RES	100	Ω
R20	RES	100	Ω
R21	RES	100	Ω
R22	RES	100	Ω
R23	RES	100	Ω
R24	RES	100	Ω
R25	RES	100	Ω
R26	RES	100	Ω
R27	RES	100	Ω
R28	RES	100	Ω
R29	RES	100	Ω
R30	RES	100	Ω
R31	RES	100	Ω
R32	RES	100	Ω
R33	RES	100	Ω
R34	RES	100	Ω
R35	RES	100	Ω
R36	RES	100	Ω
R37	RES	100	Ω
R38	RES	100	Ω
R39	RES	100	Ω
R40	RES	100	Ω
R41	RES	100	Ω
R42	RES	100	Ω
R43	RES	100	Ω
R44	RES	100	Ω
R45	RES	100	Ω
R46	RES	100	Ω
R47	RES	100	Ω
R48	RES	100	Ω
R49	RES	100	Ω
R50	RES	100	Ω
R51	RES	100	Ω
R52	RES	100	Ω
R53	RES	100	Ω
R54	RES	100	Ω
R55	RES	100	Ω
R56	RES	100	Ω
R57	RES	100	Ω
R58	RES	100	Ω
R59	RES	100	Ω
R60	RES	100	Ω
R61	RES	100	Ω
R62	RES	100	Ω
R63	RES	100	Ω
R64	RES	100	Ω
R65	RES	100	Ω
R66	RES	100	Ω
R67	RES	100	Ω
R68	RES	100	Ω
R69	RES	100	Ω
R70	RES	100	Ω
R71	RES	100	Ω
R72	RES	100	Ω
R73	RES	100	Ω
R74	RES	100	Ω
R75	RES	100	Ω
R76	RES	100	Ω
R77	RES	100	Ω
R78	RES	100	Ω
R79	RES	100	Ω
R80	RES	100	Ω
R81	RES	100	Ω
R82	RES	100	Ω
R83	RES	100	Ω
R84	RES	100	Ω
R85	RES	100	Ω
R86	RES	100	Ω
R87	RES	100	Ω
R88	RES	100	Ω
R89	RES	100	Ω
R90	RES	100	Ω
R91	RES	100	Ω
R92	RES	100	Ω
R93	RES	100	Ω
R94	RES	100	Ω
R95	RES	100	Ω
R96	RES	100	Ω
R97	RES	100	Ω
R98	RES	100	Ω
R99	RES	100	Ω
R100	RES	100	Ω

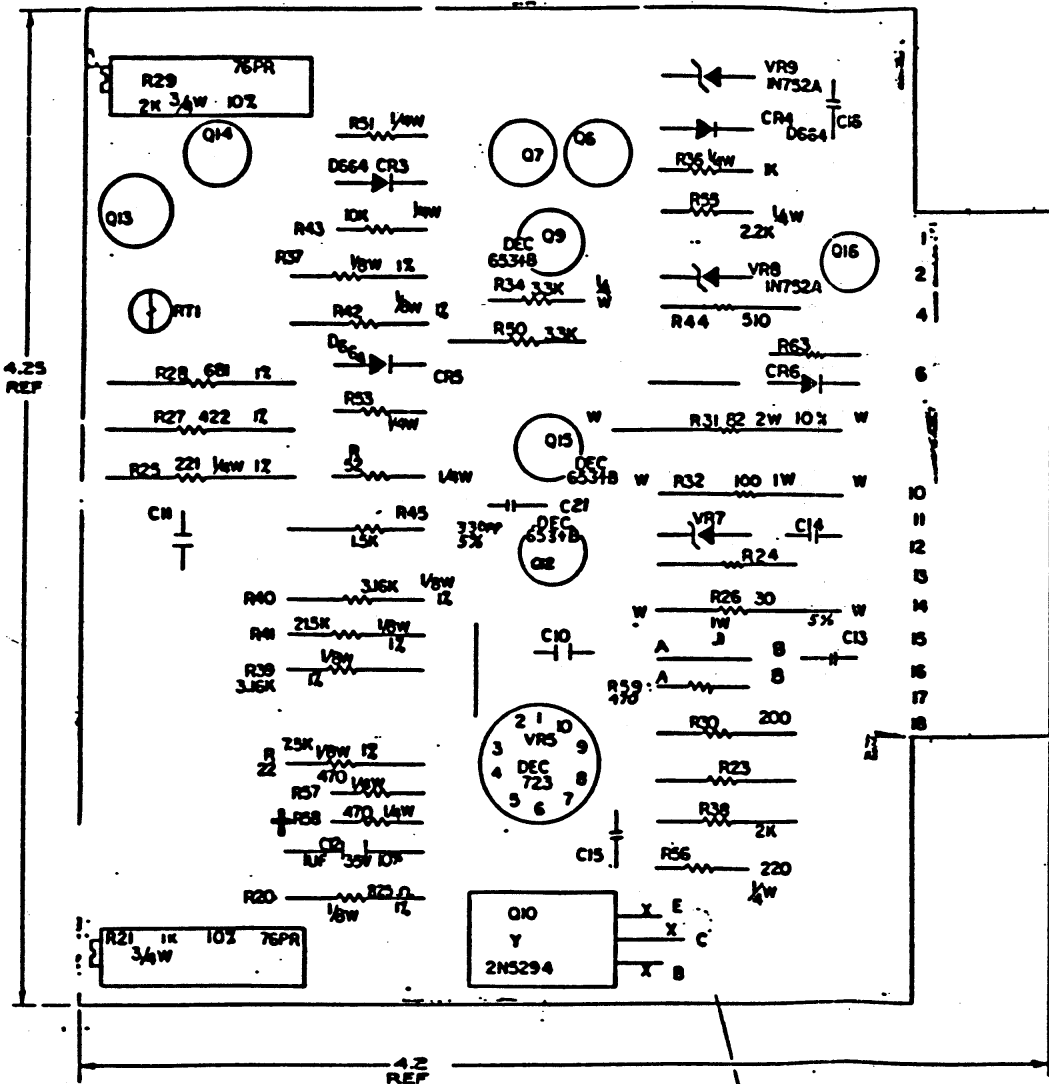
REF	SYM	VAL	UNIT
C1	CAP	.01	MFD
C2	CAP	270	MFD
C3	CAP	6000	MFD
C4	CAP	10000	MFD
C5	CAP	30000	MFD
C6	CAP	10000	MFD
C7	CAP	10000	MFD
C8	CAP	10000	MFD
C9	CAP	10000	MFD
C10	CAP	10000	MFD
C11	CAP	10000	MFD
C12	CAP	10000	MFD
C13	CAP	10000	MFD
C14	CAP	10000	MFD
C15	CAP	10000	MFD
C16	CAP	10000	MFD
C17	CAP	10000	MFD
C18	CAP	10000	MFD
C19	CAP	10000	MFD
C20	CAP	10000	MFD
C21	CAP	10000	MFD
C22	CAP	10000	MFD
C23	CAP	10000	MFD
C24	CAP	10000	MFD
C25	CAP	10000	MFD
C26	CAP	10000	MFD
C27	CAP	10000	MFD
C28	CAP	10000	MFD
C29	CAP	10000	MFD
C30	CAP	10000	MFD
C31	CAP	10000	MFD
C32	CAP	10000	MFD
C33	CAP	10000	MFD
C34	CAP	10000	MFD
C35	CAP	10000	MFD
C36	CAP	10000	MFD
C37	CAP	10000	MFD
C38	CAP	10000	MFD
C39	CAP	10000	MFD
C40	CAP	10000	MFD
C41	CAP	10000	MFD
C42	CAP	10000	MFD
C43	CAP	10000	MFD
C44	CAP	10000	MFD
C45	CAP	10000	MFD
C46	CAP	10000	MFD
C47	CAP	10000	MFD
C48	CAP	10000	MFD
C49	CAP	10000	MFD
C50	CAP	10000	MFD

TRANSFORMER & DIODE CONNECTION SHEET

REF DES: H724A SCHEMATIC

EQUIPMENT CORPORATION

DATE: 11/11/61



REF	DESCRIPTION	QUANTITY	PART NUMBER	REVISION
1	R63	RES. 10K. 1/4W. 5%	1301317	01
1	C21	CAP. 330 PF. 50V. 5%	10-00023	01
4	CR3, CR4, CR5, CR6	DIODE. 1N752A OR EQUIV. 50V. 100mA	1100448	01
1	R25	RES. 2.2K. 1/4W. 5%	1300447	01
1	R30	RES. 3300. 1/4W. 5%	1300440	01
1	Q13	TRANSISTOR. 2N5294	1301317	01
1	Q14	TRANSISTOR. 2N5294	1301317	01
1	Q15	TRANSISTOR. 2N5294	1301317	01
1	Q16	TRANSISTOR. 2N5294	1301317	01
1	Q17	TRANSISTOR. 2N5294	1301317	01
1	Q18	TRANSISTOR. 2N5294	1301317	01
1	Q19	TRANSISTOR. 2N5294	1301317	01
1	Q20	TRANSISTOR. 2N5294	1301317	01
1	Q21	TRANSISTOR. 2N5294	1301317	01
1	Q22	TRANSISTOR. 2N5294	1301317	01
1	Q23	TRANSISTOR. 2N5294	1301317	01
1	Q24	TRANSISTOR. 2N5294	1301317	01
1	Q25	TRANSISTOR. 2N5294	1301317	01
1	Q26	TRANSISTOR. 2N5294	1301317	01
1	Q27	TRANSISTOR. 2N5294	1301317	01
1	Q28	TRANSISTOR. 2N5294	1301317	01
1	Q29	TRANSISTOR. 2N5294	1301317	01
1	Q30	TRANSISTOR. 2N5294	1301317	01
1	Q31	TRANSISTOR. 2N5294	1301317	01
1	Q32	TRANSISTOR. 2N5294	1301317	01
1	Q33	TRANSISTOR. 2N5294	1301317	01
1	Q34	TRANSISTOR. 2N5294	1301317	01
1	Q35	TRANSISTOR. 2N5294	1301317	01
1	Q36	TRANSISTOR. 2N5294	1301317	01
1	Q37	TRANSISTOR. 2N5294	1301317	01
1	Q38	TRANSISTOR. 2N5294	1301317	01
1	Q39	TRANSISTOR. 2N5294	1301317	01
1	Q40	TRANSISTOR. 2N5294	1301317	01
1	Q41	TRANSISTOR. 2N5294	1301317	01
1	Q42	TRANSISTOR. 2N5294	1301317	01
1	Q43	TRANSISTOR. 2N5294	1301317	01
1	Q44	TRANSISTOR. 2N5294	1301317	01
1	Q45	TRANSISTOR. 2N5294	1301317	01
1	Q46	TRANSISTOR. 2N5294	1301317	01
1	Q47	TRANSISTOR. 2N5294	1301317	01
1	Q48	TRANSISTOR. 2N5294	1301317	01
1	Q49	TRANSISTOR. 2N5294	1301317	01
1	Q50	TRANSISTOR. 2N5294	1301317	01

REF	DESCRIPTION	QUANTITY	PART NUMBER	REVISION
1	R20	RES. 1K. 10%. 76PR. 3/4W		
1	R21	RES. 1K. 10%. 76PR. 3/4W		
1	R22	RES. 22K. 1/4W. 1%		
1	R23	RES. 3.3K. 1/4W. 1%		
1	R24	RES. 30. 1/4W. 5%		
1	R25	RES. 2.2K. 1/4W. 5%		
1	R26	RES. 30. 1/4W. 5%		
1	R27	RES. 422. 1/2W. 1%		
1	R28	RES. 50K. 1/2W. 1%		
1	R29	RES. 2K. 3/4W. 10%		
1	R30	RES. 3300. 1/4W. 5%		
1	R31	RES. 82. 2W. 10%. 1/2W		
1	R32	RES. 100. 1W. 5%		
1	R33	RES. 10K. 1/4W. 5%		
1	R34	RES. 3.3K. 1/4W. 1%		
1	R35	RES. 1/4W. 1%		
1	R36	RES. 220. 1/4W. 5%		
1	R37	RES. 200. 1/4W. 5%		
1	R38	RES. 2K. 1/4W. 5%		
1	R39	RES. 3.3K. 1/4W. 5%		
1	R40	RES. 3.3K. 1/4W. 5%		
1	R41	RES. 215K. 1/4W. 5%		
1	R42	RES. 1/4W. 1%		
1	R43	RES. 10K. 1/4W. 5%		
1	R44	RES. 510. 1/4W. 5%		
1	R45	RES. 15K. 1/4W. 5%		
1	R46	RES. 1/4W. 1%		
1	R47	RES. 1/4W. 1%		
1	R48	RES. 1/4W. 1%		
1	R49	RES. 1/4W. 1%		
1	R50	RES. 3.3K. 1/4W. 1%		

REF	DESCRIPTION	QUANTITY	PART NUMBER	REVISION
1	VR9	VARIABLE RES. 10K. 1/4W. 5%		
1	VR8	VARIABLE RES. 10K. 1/4W. 5%		
1	VR7	VARIABLE RES. 10K. 1/4W. 5%		
1	VR5	VARIABLE RES. 10K. 1/4W. 5%		
1	VR4	VARIABLE RES. 10K. 1/4W. 5%		
1	VR3	VARIABLE RES. 10K. 1/4W. 5%		
1	VR2	VARIABLE RES. 10K. 1/4W. 5%		
1	VR1	VARIABLE RES. 10K. 1/4W. 5%		
1	Q10	TRANSISTOR. 2N5294		
1	C10	CAP. 100 PF. 50V. 5%		
1	C15	CAP. 100 PF. 50V. 5%		
1	C14	CAP. 100 PF. 50V. 5%		
1	C21	CAP. 330 PF. 50V. 5%		
1	CR3	DIODE. 1N752A		
1	CR4	DIODE. 1N752A		
1	CR5	DIODE. 1N752A		
1	CR6	DIODE. 1N752A		

CONTROL BOARD
A2

15745409262-0-0