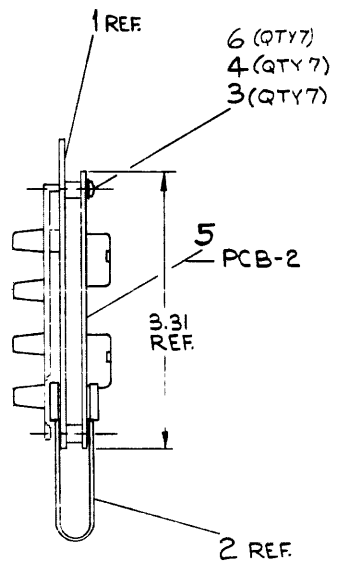
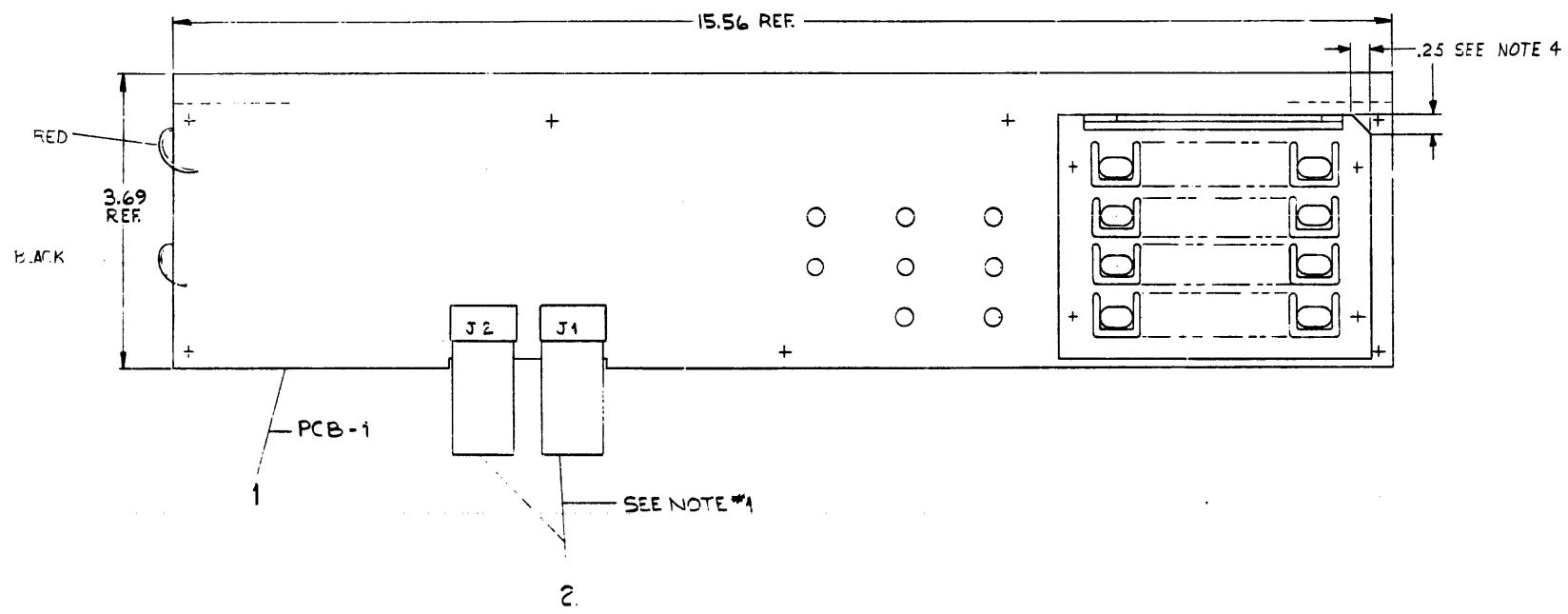
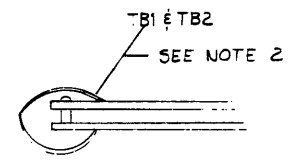


TITLE	SHEET	OF	SIZE	CODE	NUMBER	REV
DRAWING DIRECTORY KC8-A	2	3	B	DD	KC8-A	D

DO NOT SCALE DRAWING

THIS DRAWING AND SPECIFICATIONS HEREIN ARE THE PROPERTY OF DIGITAL EQUIPMENT CORPORATION AND SHALL NOT BE REPRODUCED OR COPIED OR USED IN WHOLE OR IN PART AS THE BASIS FOR THE MANUFACTURE OR SALE OF ITEMS WITHOUT WRITTEN PERMISSION. COPYRIGHT © 1974, DIGITAL EQUIPMENT CORPORATION

- NOTES:
- INSTALL ITEM #2 (CABLE) AS FOLLOWS.
PCB-1-J1 TO PCB-2-J3
PCB-1-J2 TO PCB-2-J4
 - CONNECT RED WIRE FROM PCB-1 TO TB1 ON PCB-2. CONNECT BLACK WIRE FROM PCB-1 TO TB2 ON PCB-2.
 - ITEM #7 MAY BE RECYCLED WHEN USED FOR INTERPLANT SHIPMENT.
 - CLIP UPPER RIGHT HAND LIP OF KEYPAD OFF TO ALLOW PROPER ALIGNMENT INTO BEZEL.



SEE NOTE 3

QTY.	DESCRIPTION	PART NO.	ITEM NO.
1	PACKAGING INSTRUCTIONS	A-SP-3700188-0-0	7
7	WASHER, FLAT # 4	9006655	6
1	REGISTERS AND CONTROL	D-CS-5411316-0-1	5
7	WASH INT LOCK #4	9006632	4
7	SCR PHL HD PAN #4-40X.25	9008301-1	3
2	CABLE, KEYBOARD	C-1A-7008612-00	2
1	INDICATOR DISPLAY	D-CS-5411241-0-1	1

REVISIONS

REV.	CHANGE NO.	DATE	BY	DESCRIPTION
A	7048-005J1	11-23-75	P. SCANTLEBURY	REVISED TO 11-23-75
B	7010644-00002	11-23-75	P. SCANTLEBURY	REVISED TO 11-23-75
C	7010644-00003	11-23-75	P. SCANTLEBURY	REVISED TO 11-23-75

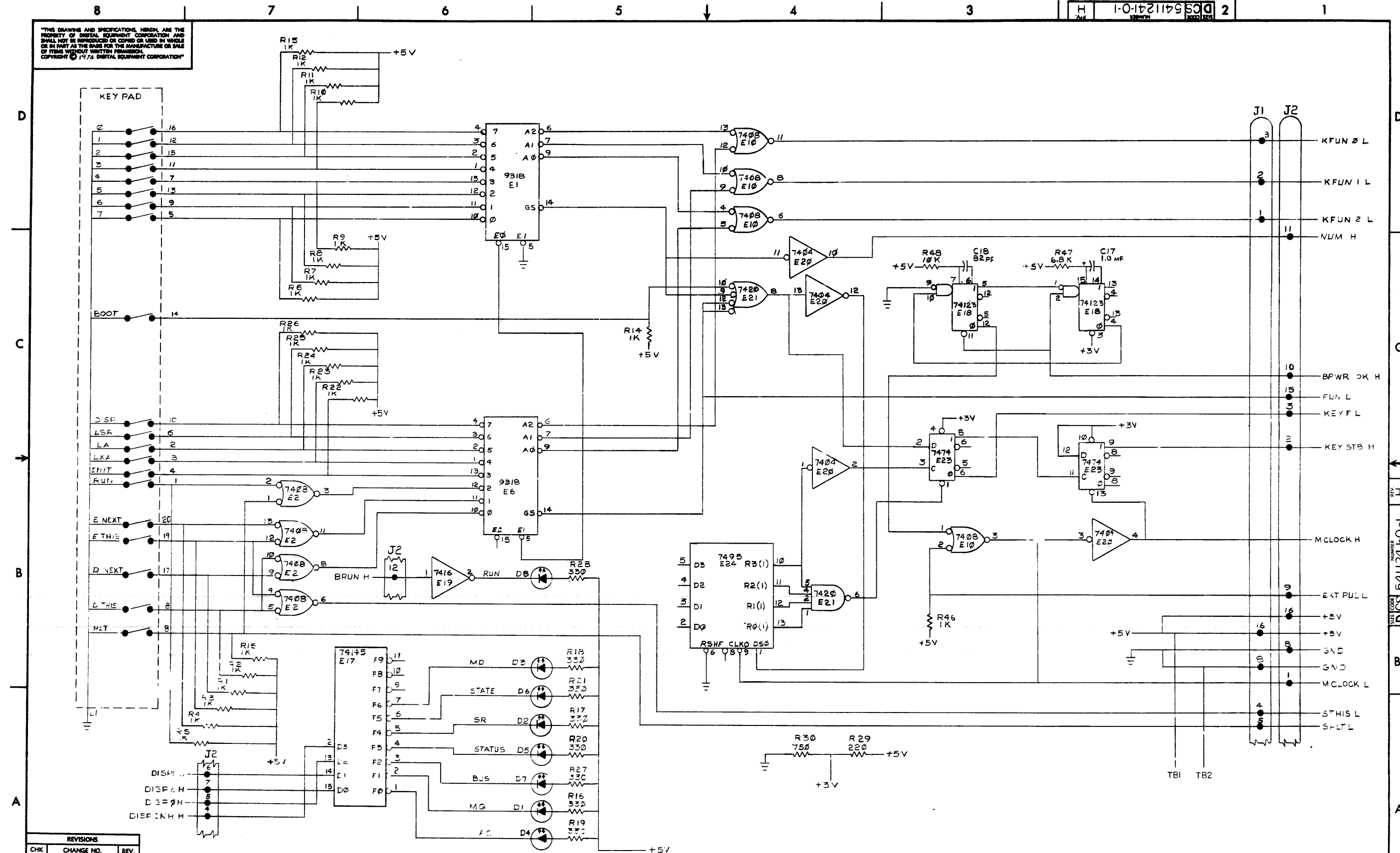
FIRST USED ON OPTION/MODEL		QTY.	DESCRIPTION	PART NO.	ITEM NO.
E/A					
DIMENSIONAL TOLERANCE					
DIMENSIONS ARE UNLESS OTHERWISE SPECIFIED					
MILLIMETERS	INCHES	ANGLES			
XXX = ±.10	XXX = ±.006	40° 30'			
XX = ±0.8	XX = ±.02				
X = ±.2	X = ±.1				
THIRD ANGLE PROJECTION	REMOVE BURRS AND BREAK SHARP CORNERS SURFACE QUALITY	NEXT HIGHER ASSY.			
MATERIAL	SEE PART LIST	EUA-KCB-A-0			
FINISH		SCALE 1/1			
SHEET OF		D AD 7010644-0-0		REV. C	



KEYBOARD ASSY.

D AD 7010644-0-0 C

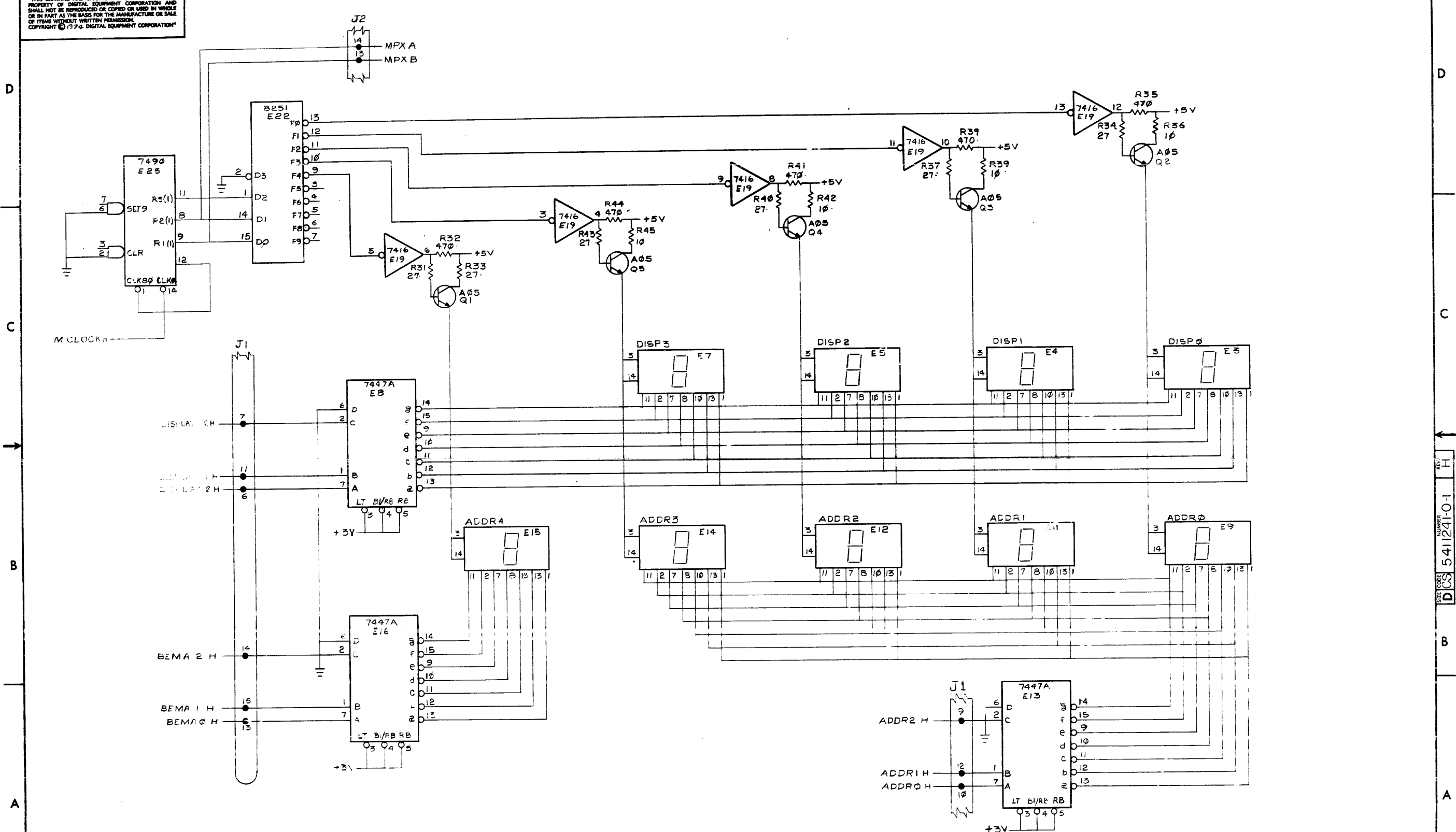
THIS DRAWING AND SPECIFICATIONS HEREIN ARE THE PROPERTY OF DIGITAL EQUIPMENT CORPORATION AND SHALL NOT BE REPRODUCED OR COPIED OR USED IN WHOLE OR IN PART AS THE BASIS FOR THE MANUFACTURE OR SALE OF ITEMS WITHOUT WRITTEN PERMISSION. COPYRIGHT © 1974 DIGITAL EQUIPMENT CORPORATION



REVISIONS		
CHK	CHANGE NO.	REV.

TITLE	INDICATOR DISPLAY	SIZE CODE	DCS	NUMBER	5411241-0-1	REV.	1
SCALE	1:1	SHEET	2	OF 3	DIST.		

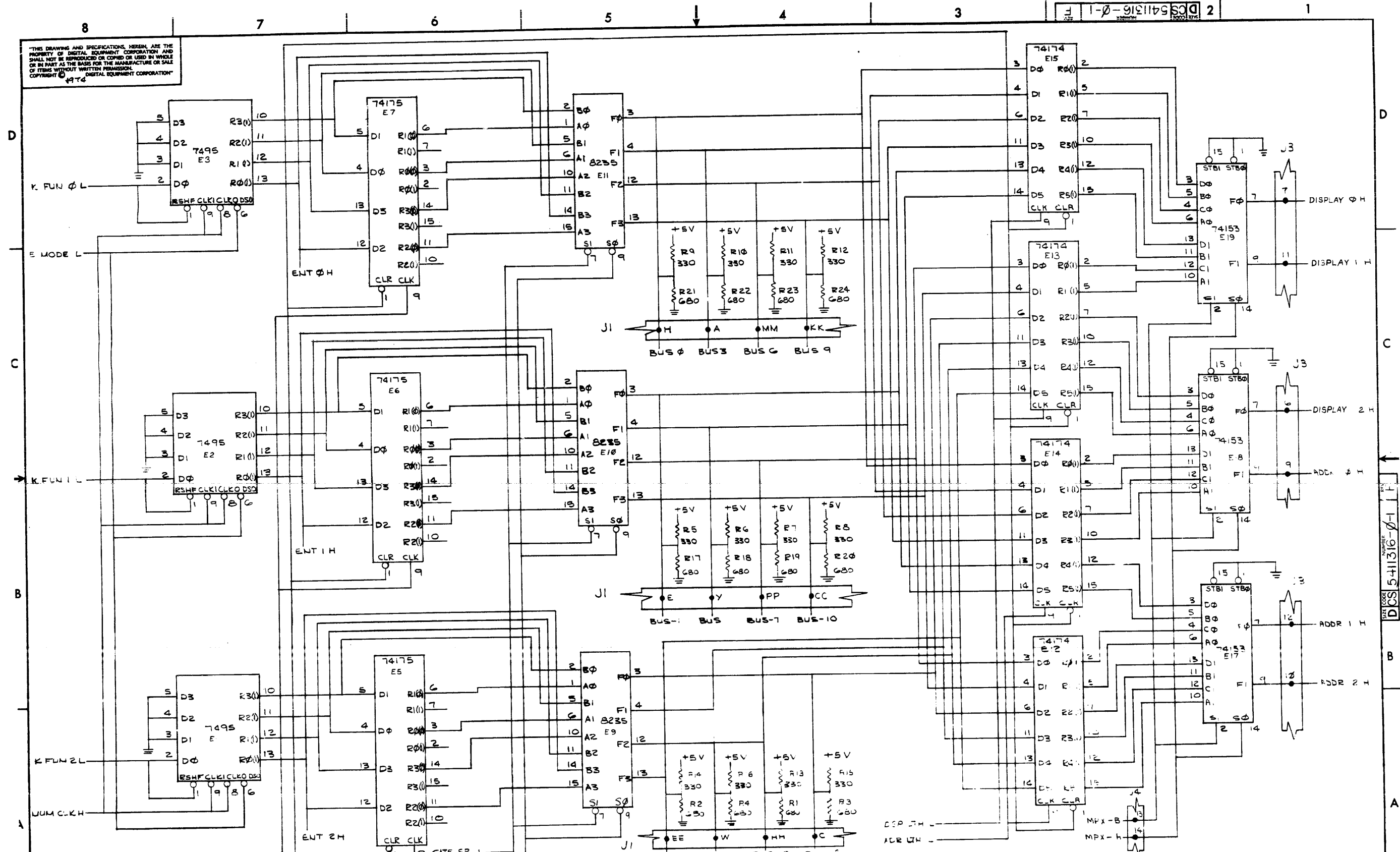
"THIS DRAWING AND SPECIFICATIONS, HEREIN, ARE THE PROPERTY OF DIGITAL EQUIPMENT CORPORATION AND SHALL NOT BE REPRODUCED OR COPIED OR USED IN WHOLE OR IN PART AS THE BASIS FOR THE MANUFACTURE OR SALE OF ITEMS WITHOUT WRITTEN PERMISSION. COPYRIGHT © 1974, DIGITAL EQUIPMENT CORPORATION"



REVISIONS		
CHK	CHANGE NO.	REV.

TITLE	INDICATOR DISPLAY	SIZE CODE	DCS	NUMBER	5411241-0-1	REV.	H
SCALE	1/1	SHEET	3	OF	3	DIST.	

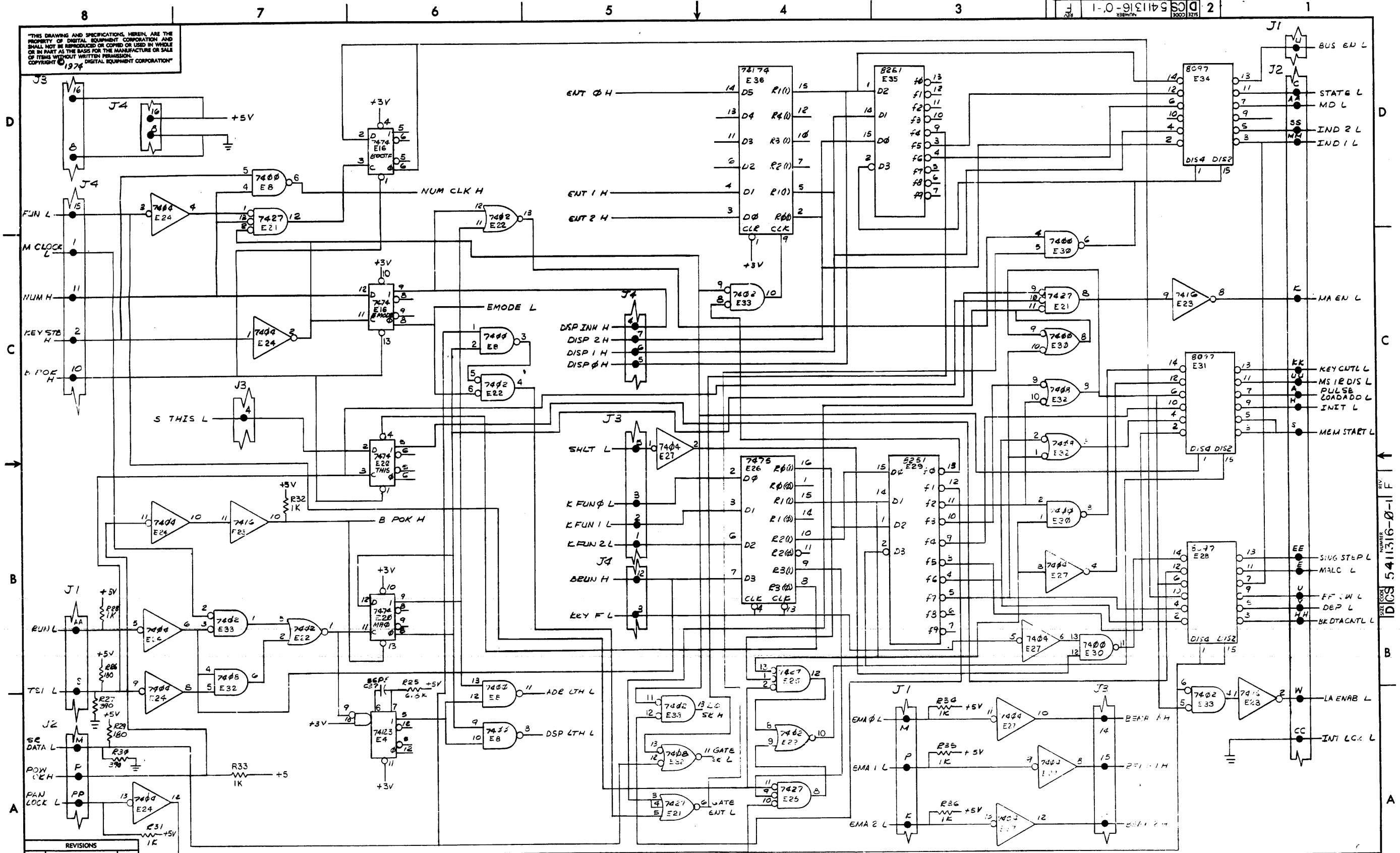
THIS DRAWING AND SPECIFICATIONS HEREIN ARE THE PROPERTY OF DIGITAL EQUIPMENT CORPORATION AND SHALL NOT BE REPRODUCED OR COPIED OR USED IN WHOLE OR IN PART AS THE BASIS FOR THE MANUFACTURE OR SALE OF ITEMS WITHOUT WRITTEN PERMISSION. DIGITAL EQUIPMENT CORPORATION COPYRIGHT © 1974



REVISIONS		
CHK	CHANGE NO.	REV.

TITLE	REGISTER & CONTROL	SIZE CODE	NUMBER	REV.
SCALE	SHEET 2 OF 3	DIST.	DCS 5411316-0-1	F

THIS DRAWING AND SPECIFICATIONS HEREIN ARE THE PROPERTY OF DIGITAL EQUIPMENT CORPORATION AND SHALL NOT BE REPRODUCED OR COPIED IN WHOLE OR IN PART AS THE BASIS FOR THE MANUFACTURE OR SALE OF ITEMS WITHOUT WRITTEN PERMISSION. COPYRIGHT © 1974 DIGITAL EQUIPMENT CORPORATION



CHK	CHANGE NO.	REV.

TITLE	SIZE CODE	NUMBER	REV.
REGISTERS & CONTROL	DCS 5411316-0-1	2	F
SCALE	SHEET 3 OF 3	DIST.	