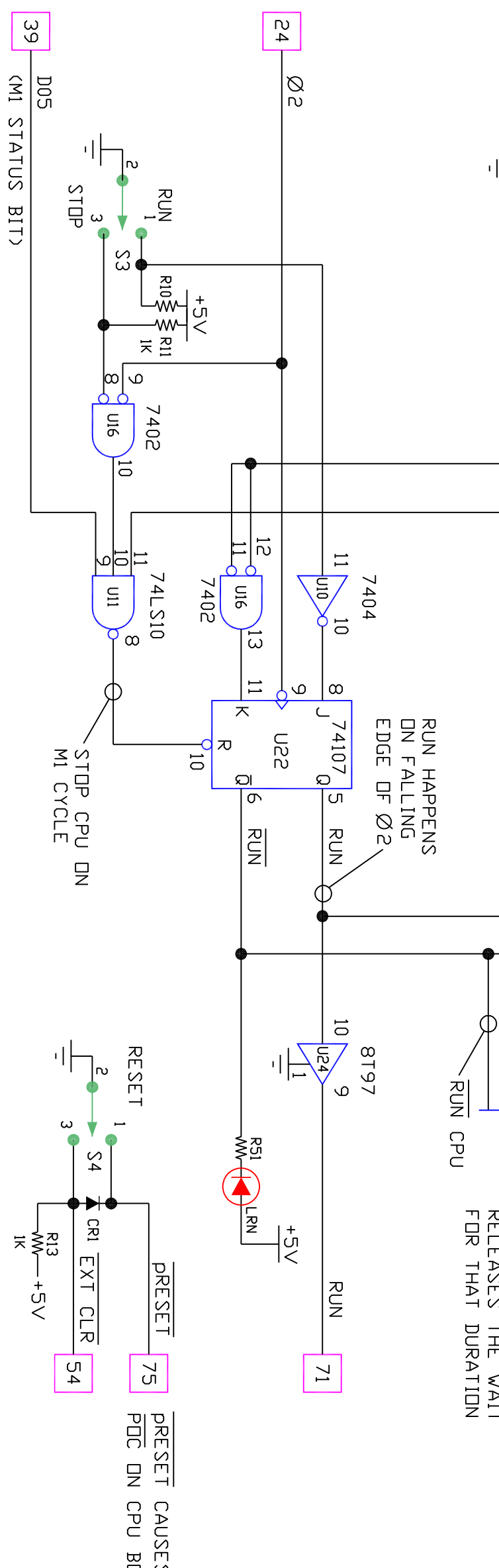
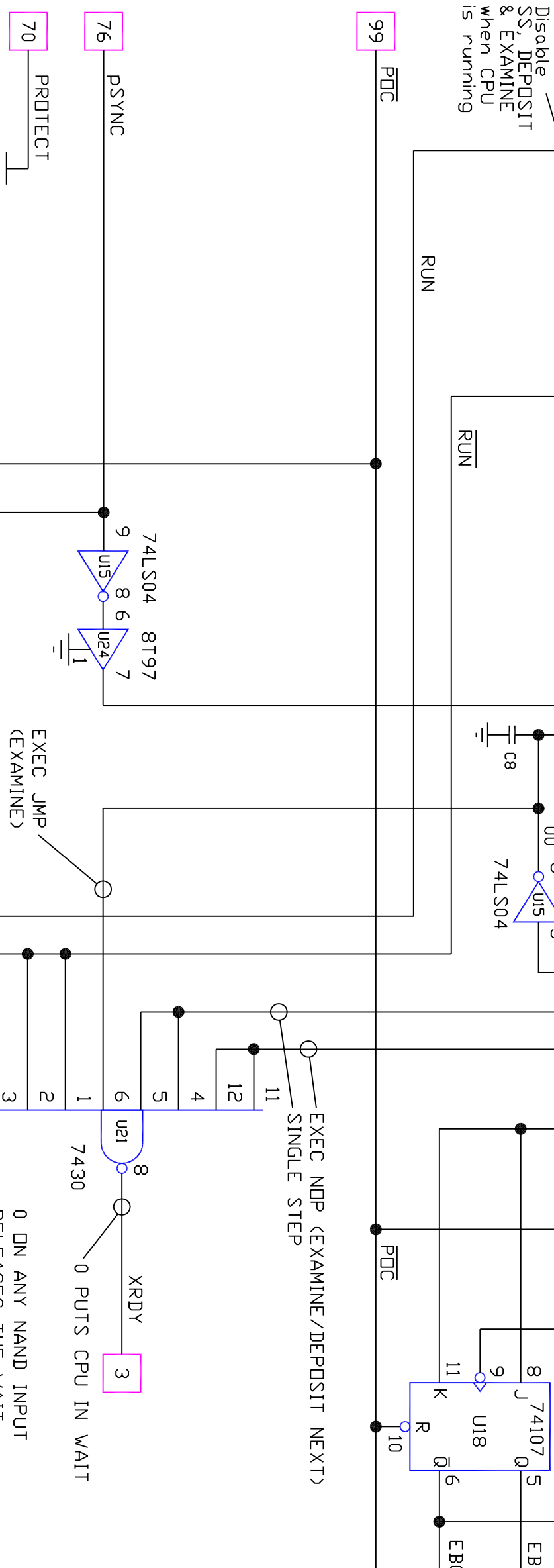
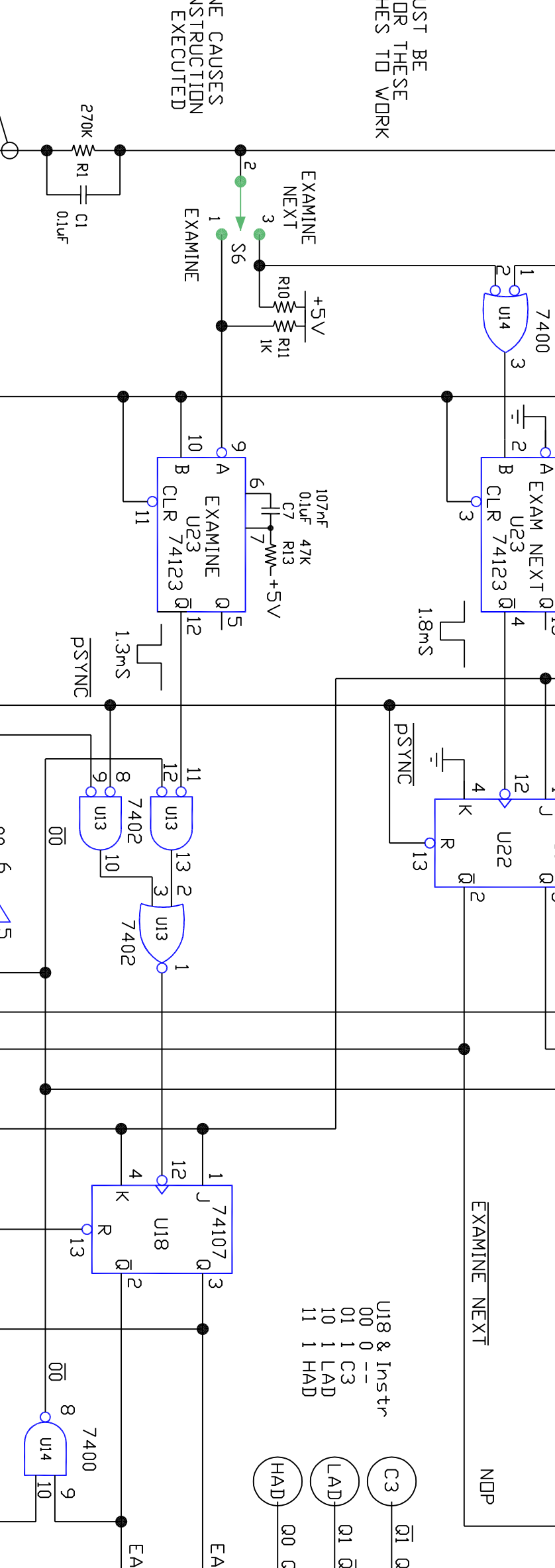
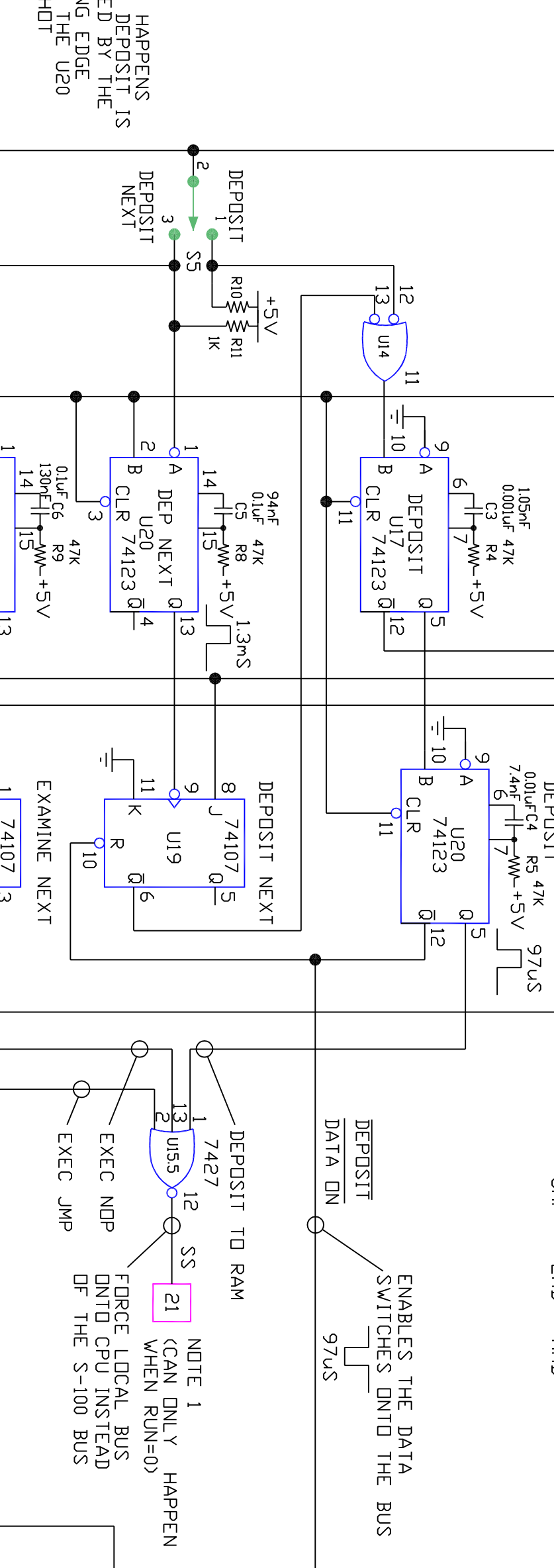
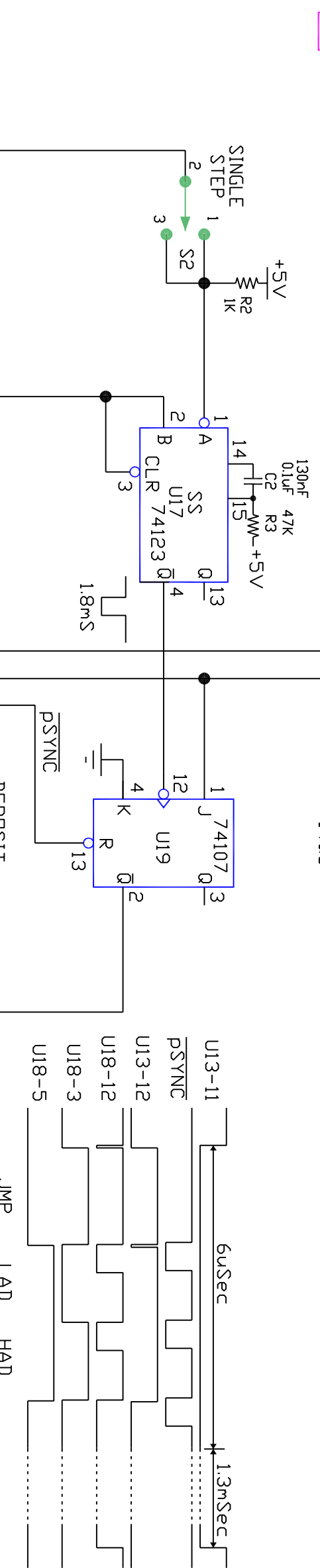
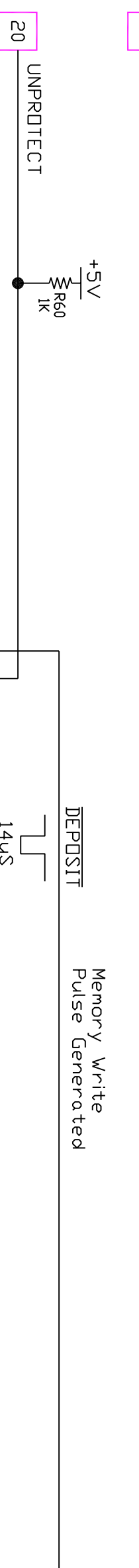
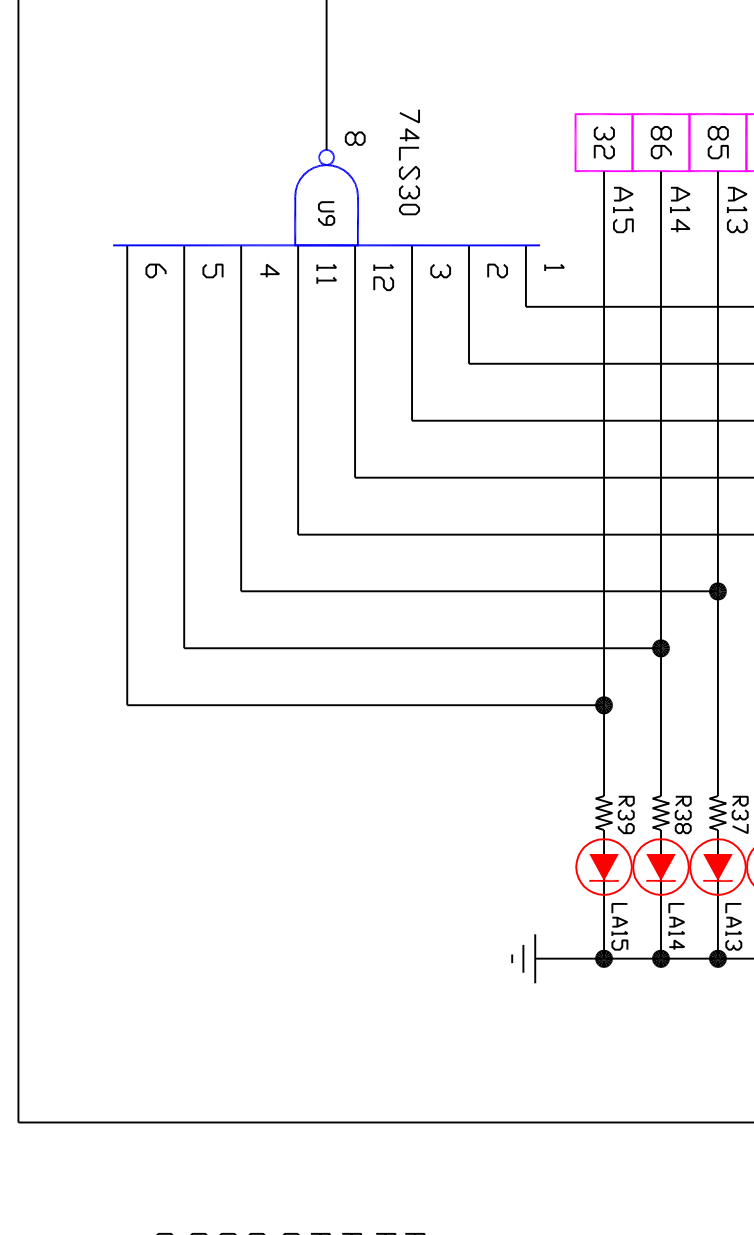
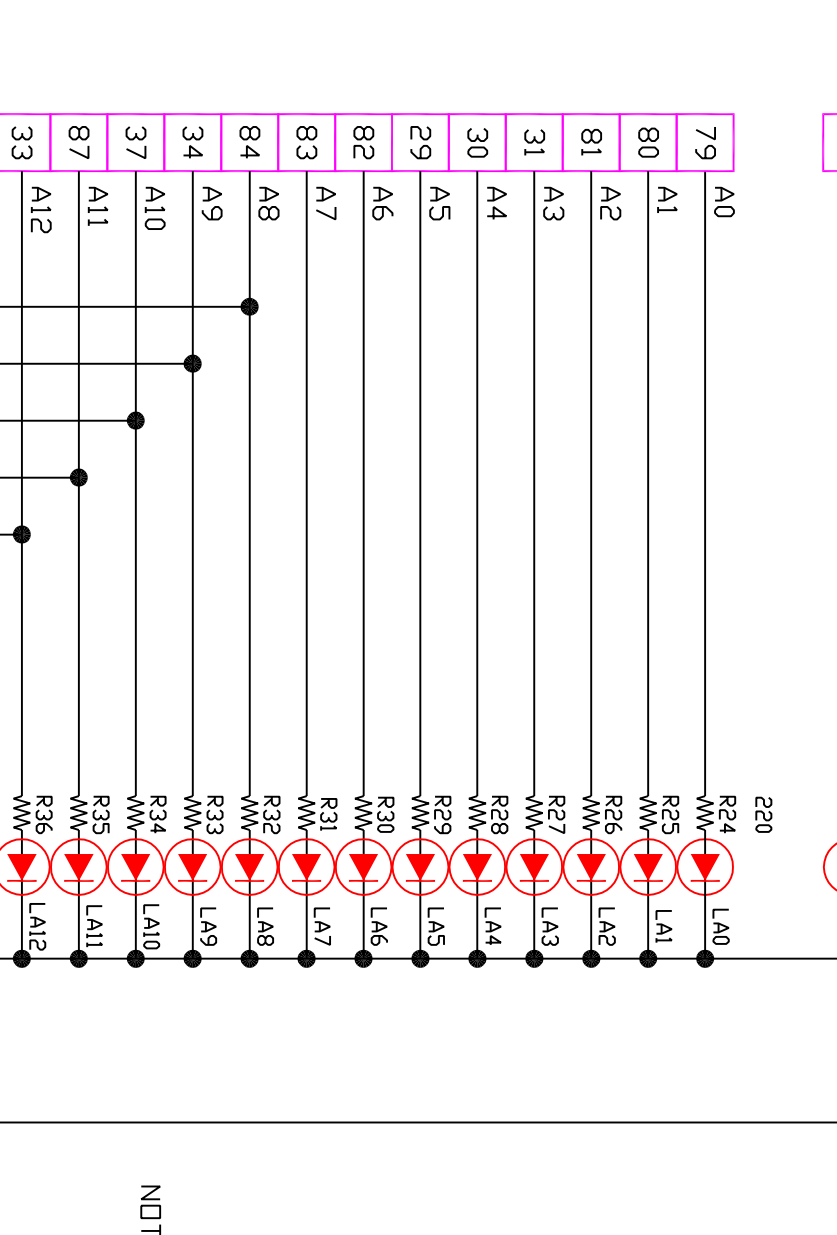
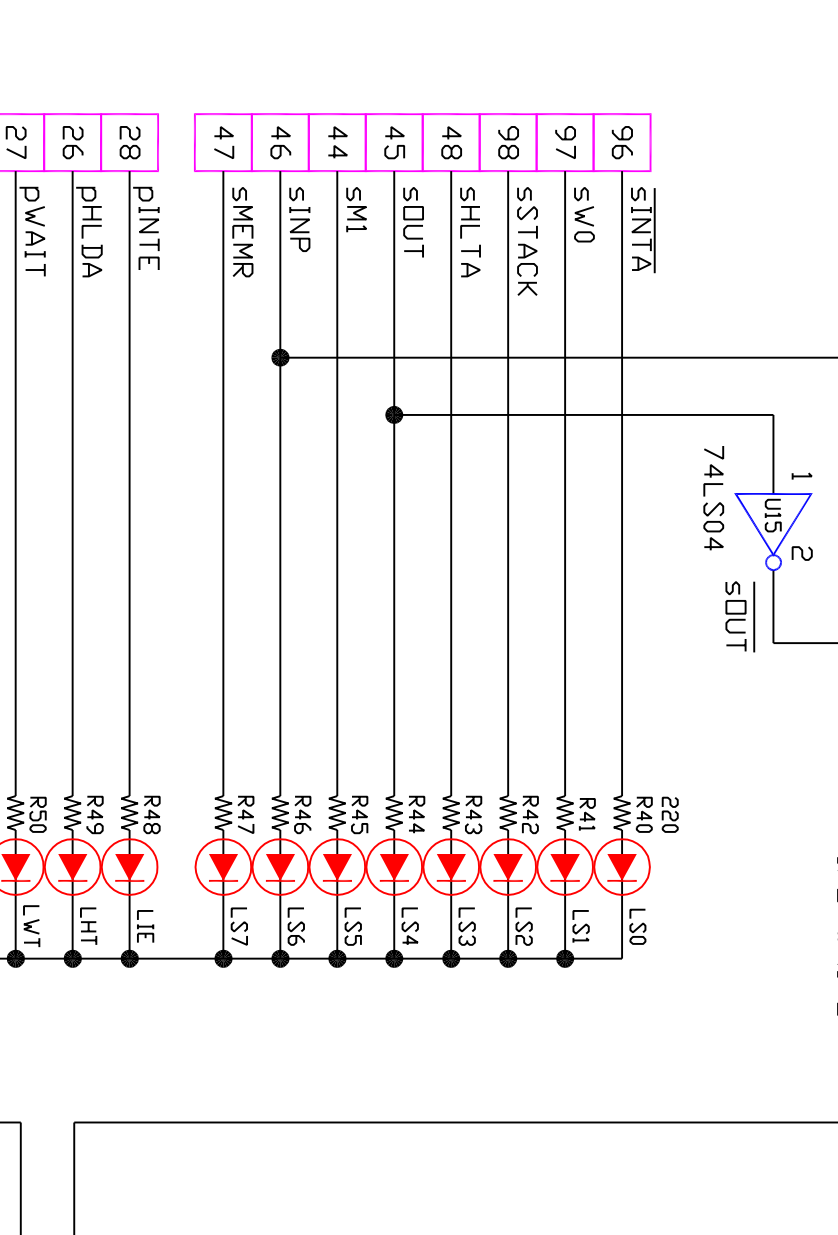
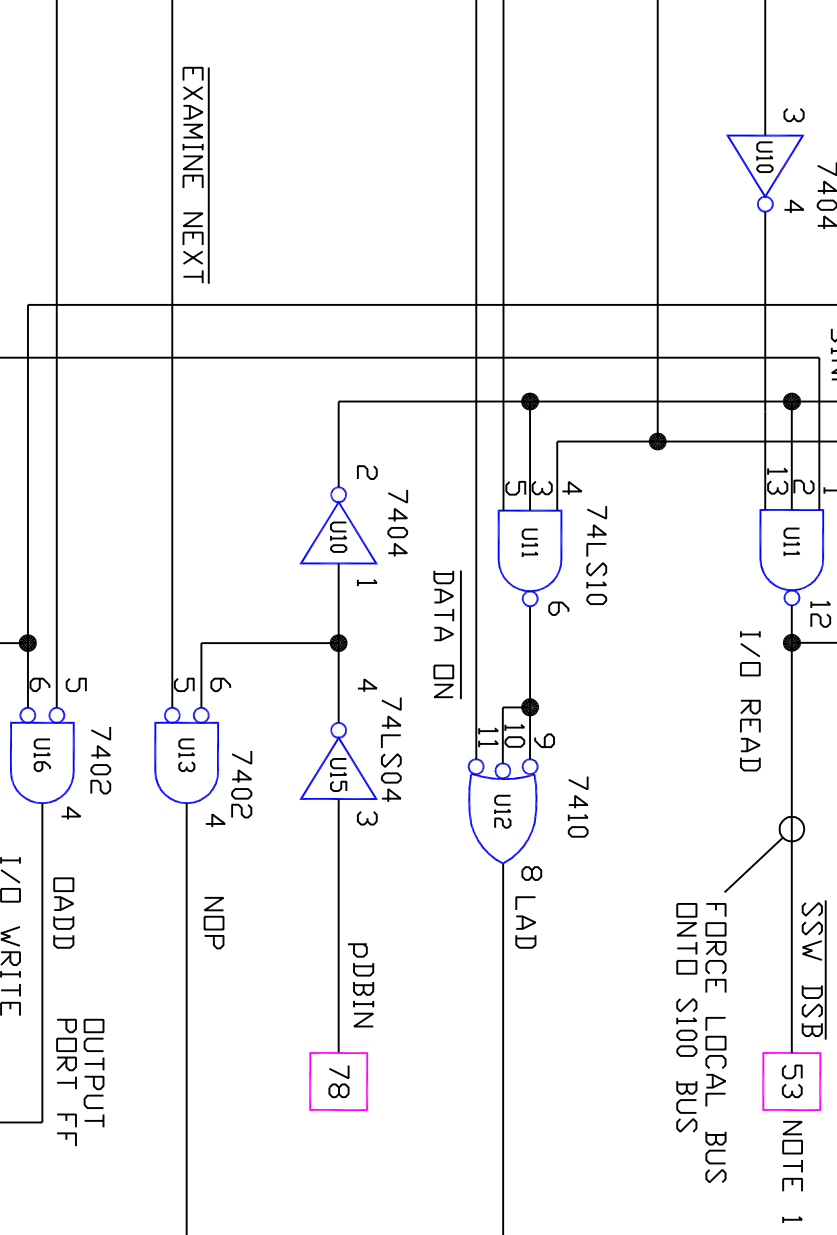
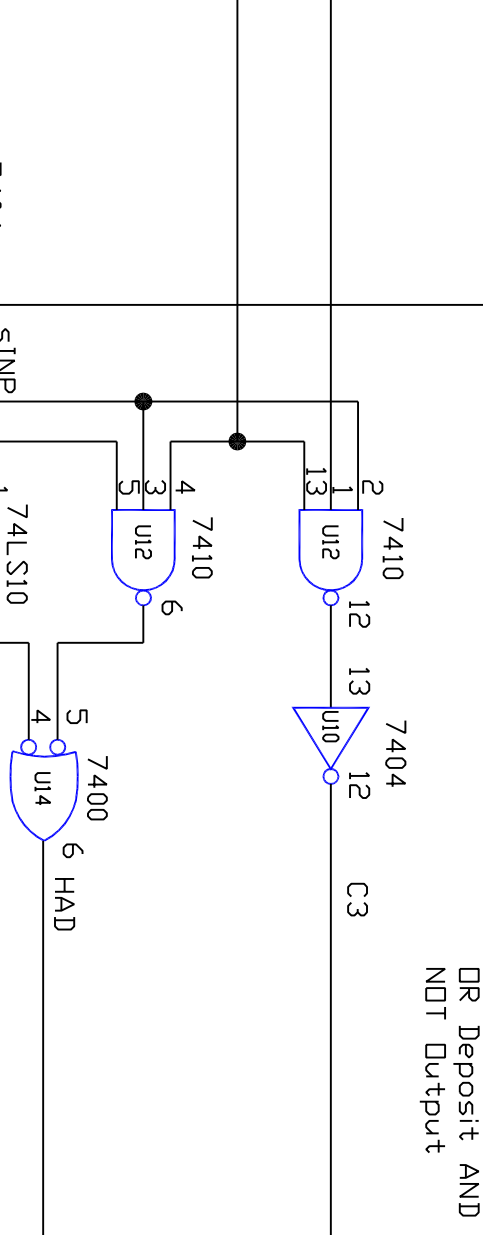
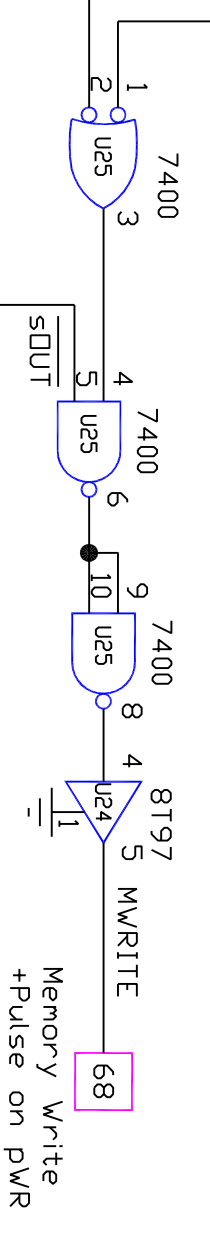


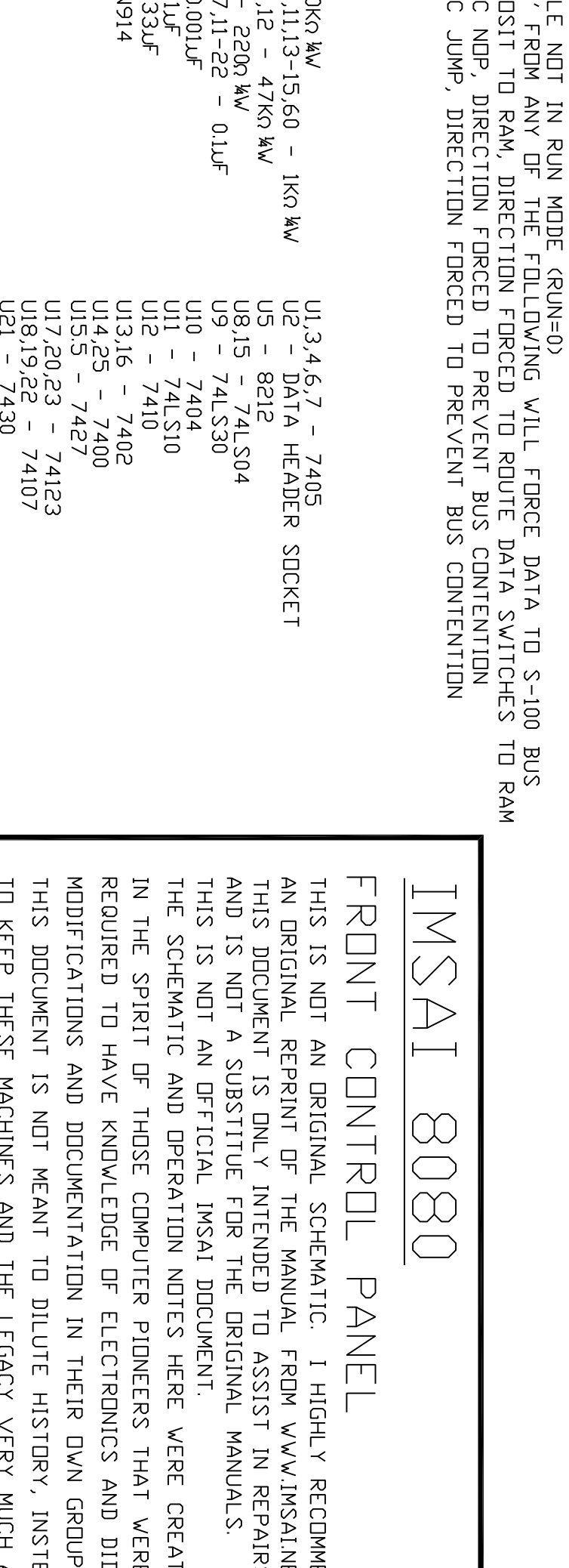
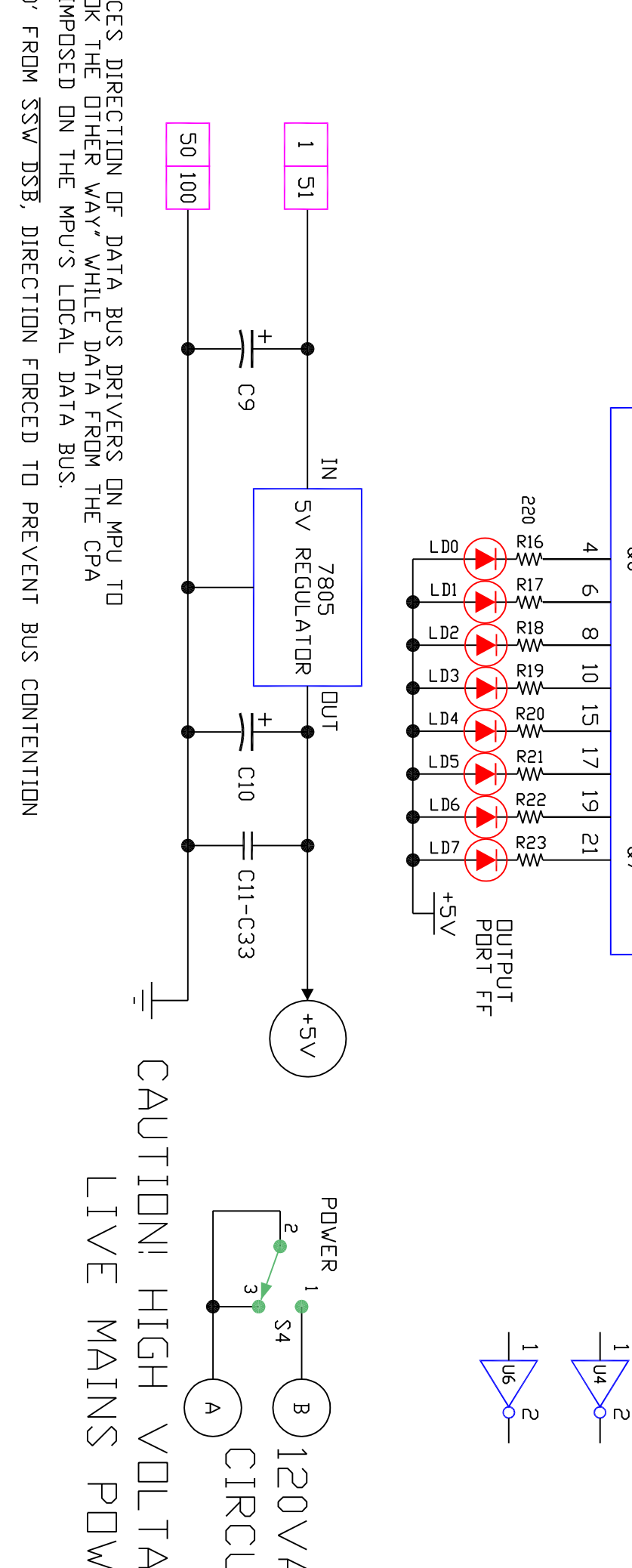
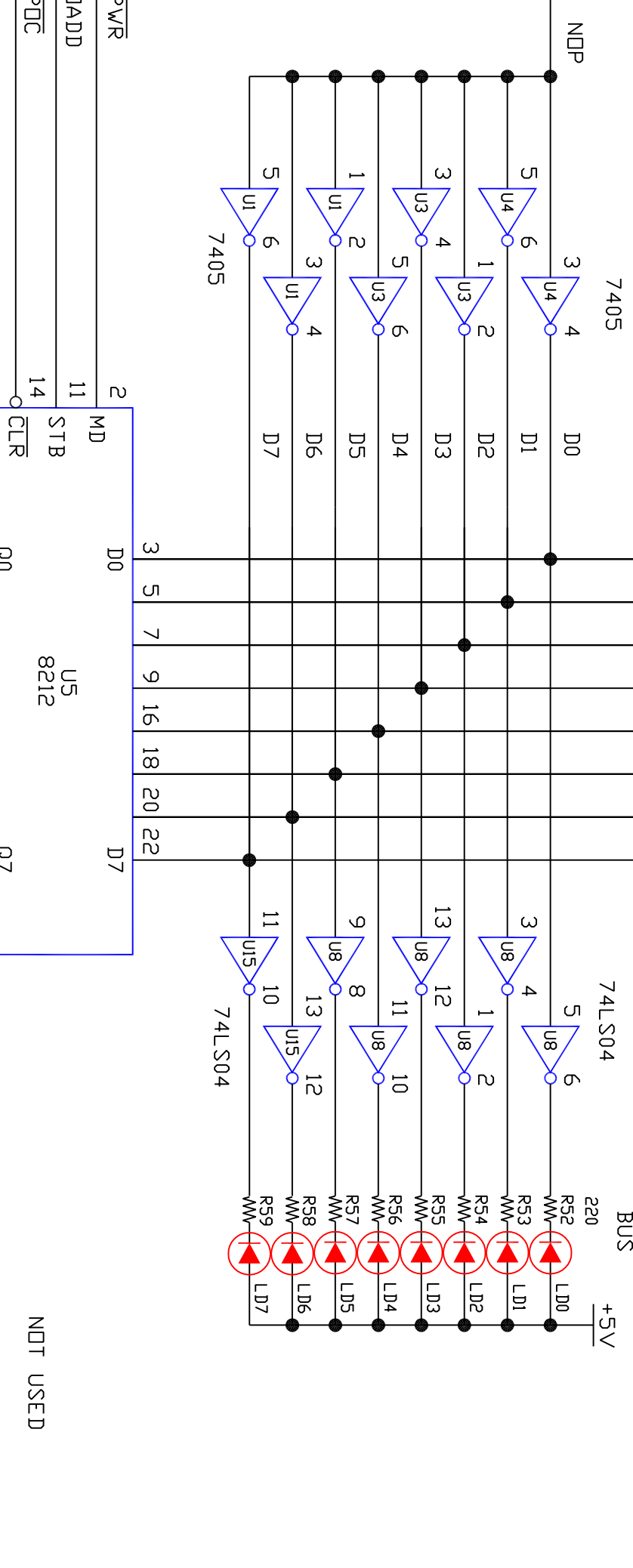
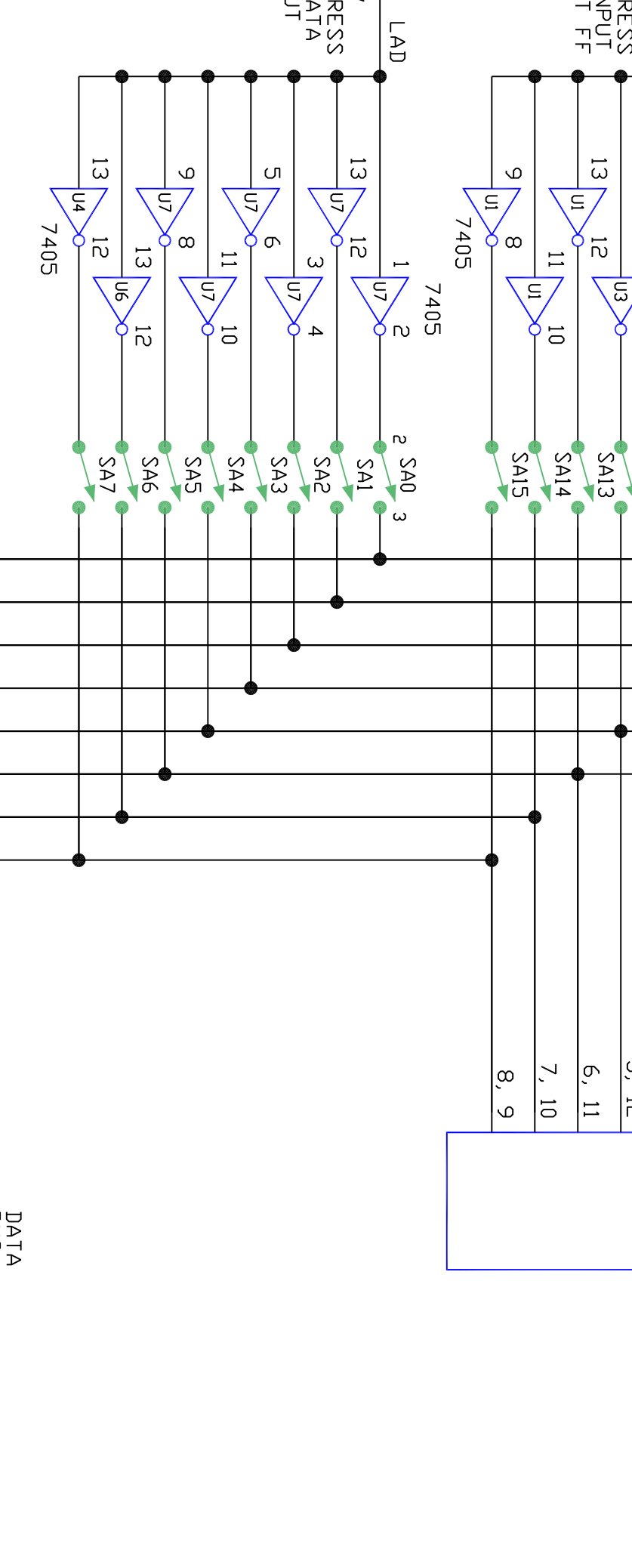
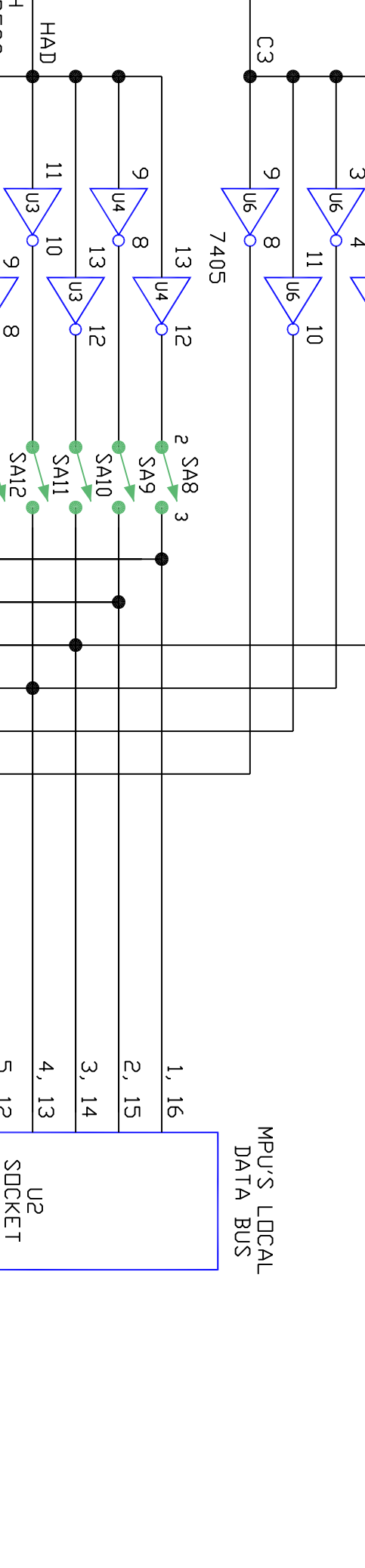
Processor Write



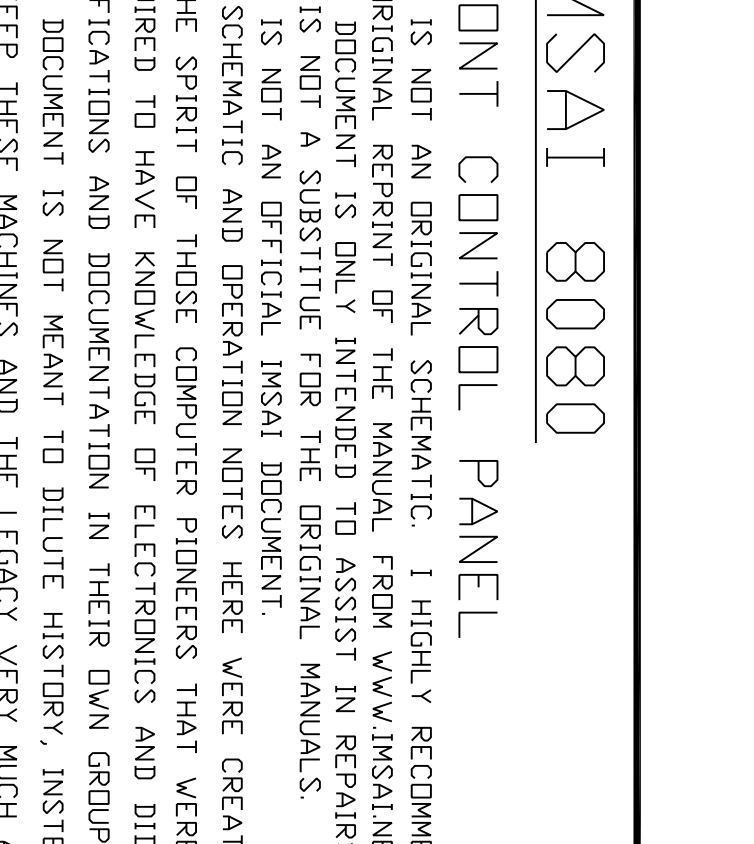
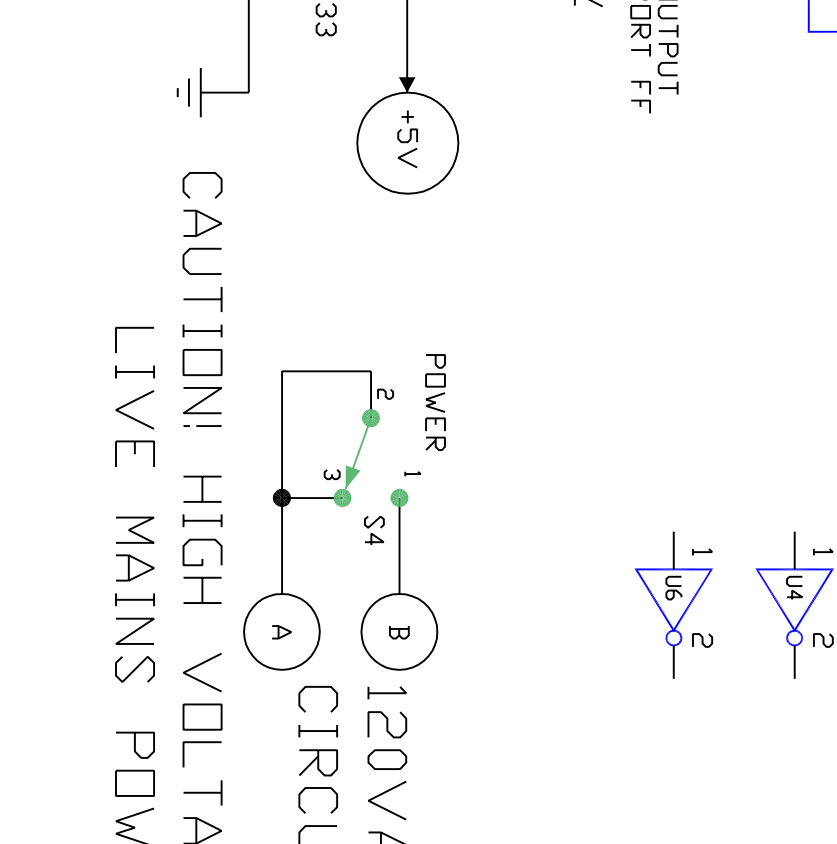
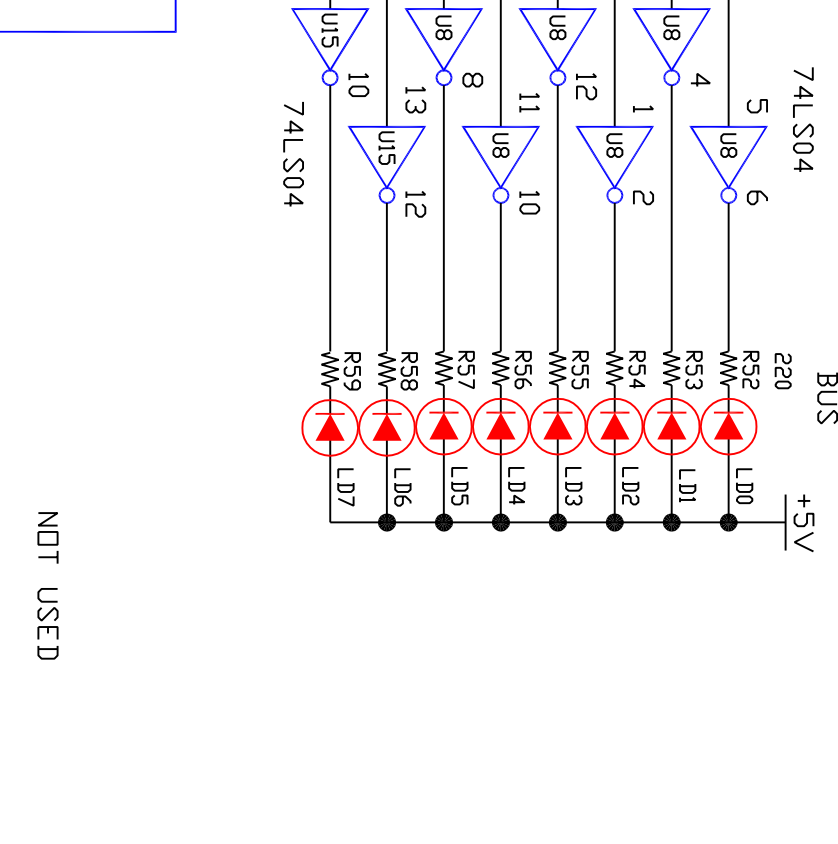
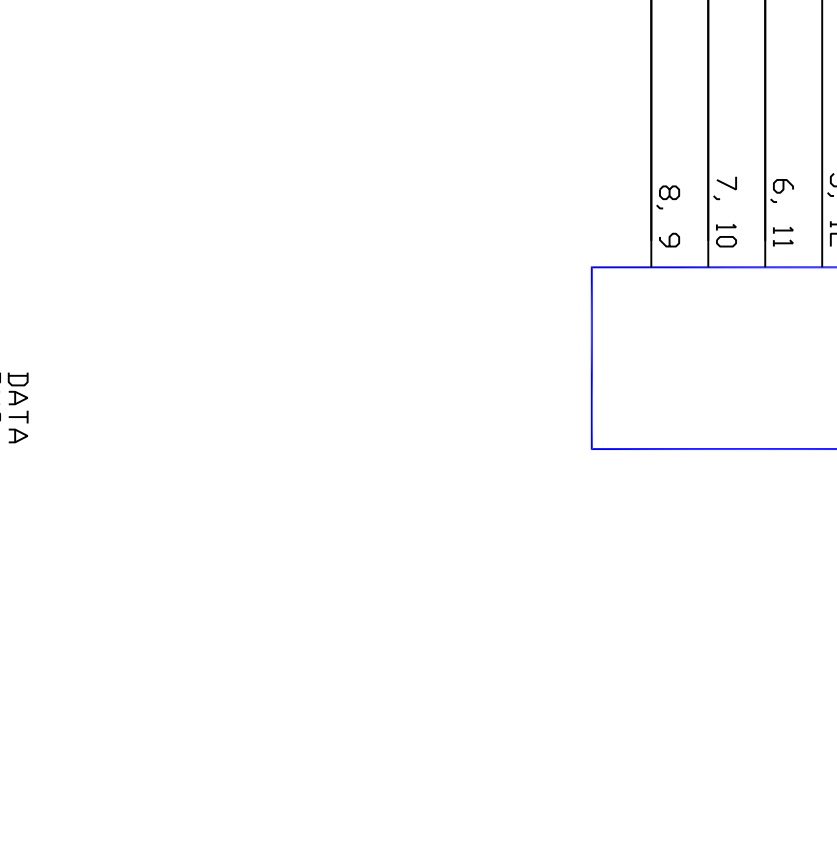
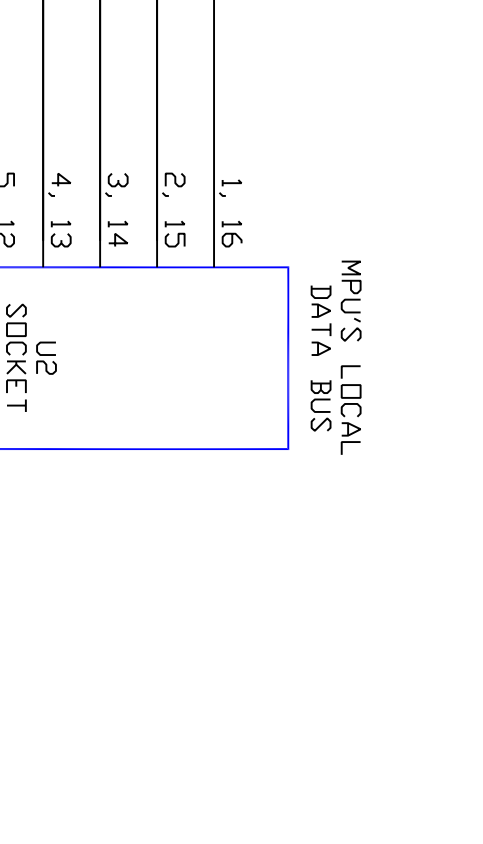
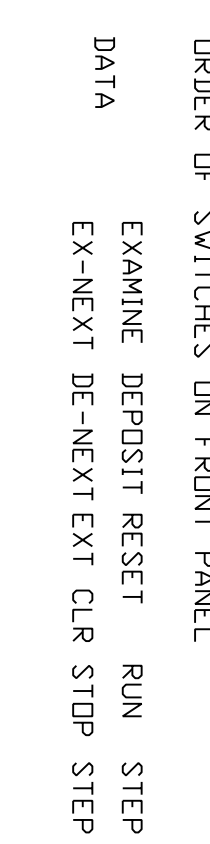
PWR



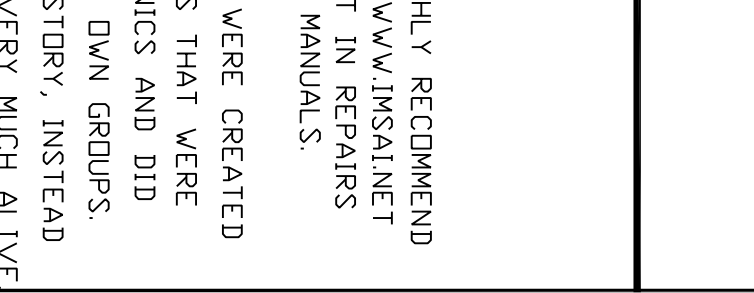
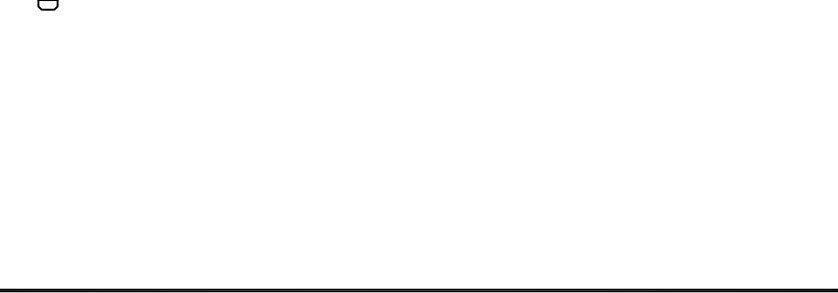
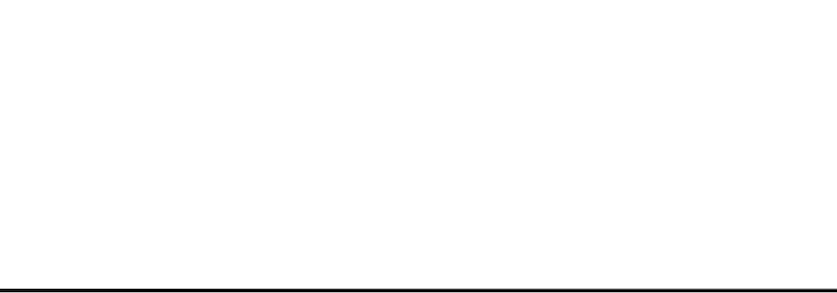
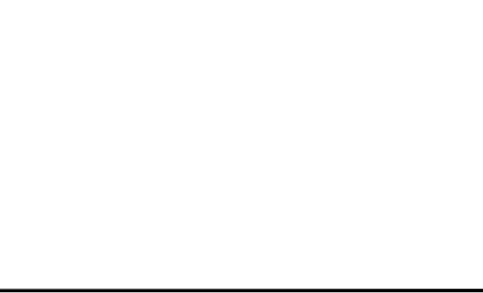
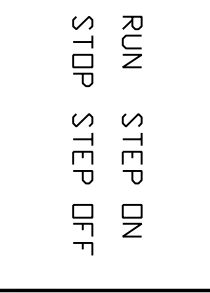
FORCES HEX 'C3' ON DATA BUS
IN EFFECT, CAUSES A JUMP INSTRUCTION



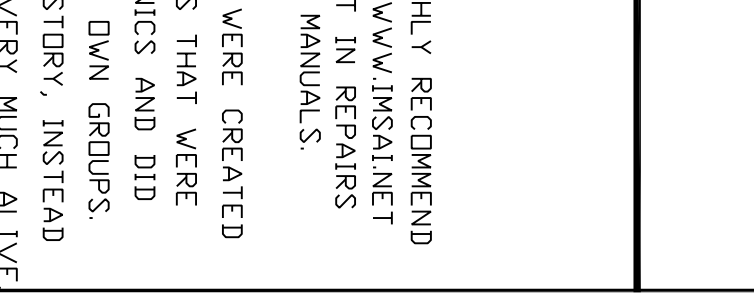
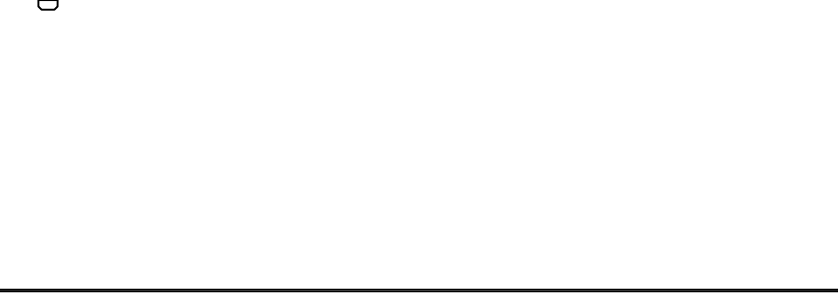
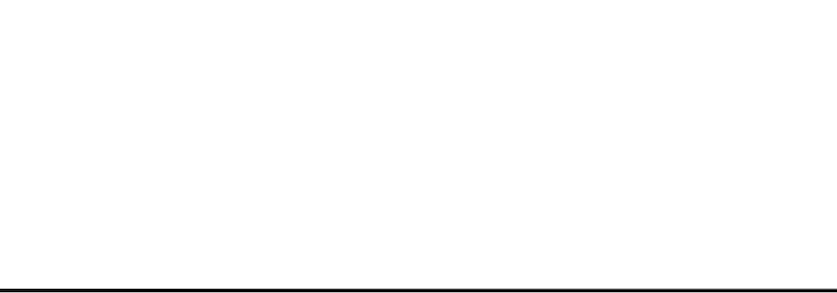
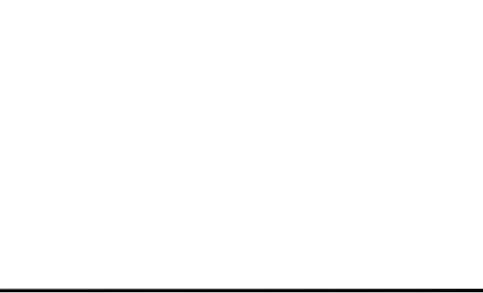
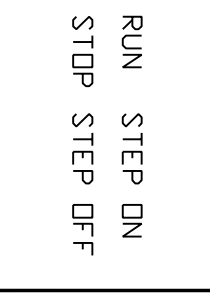
ORDER OF SWITCHES ON FRONT PANEL



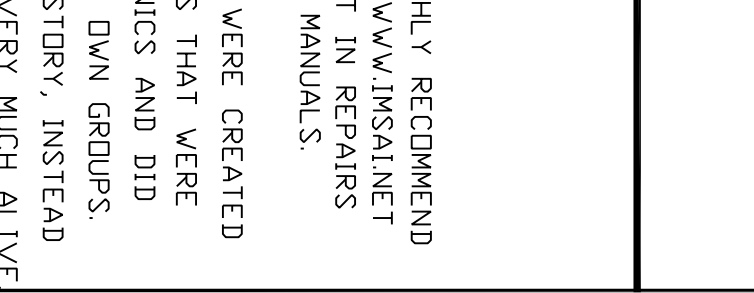
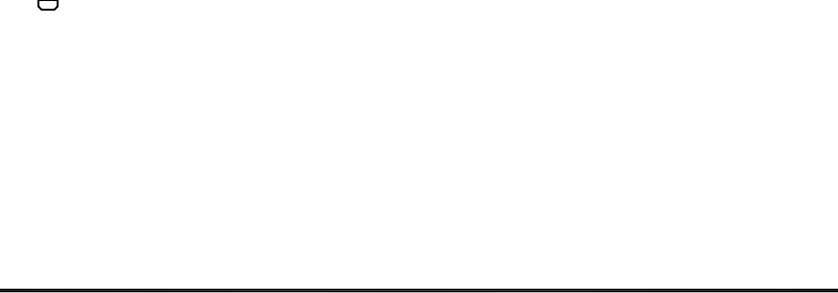
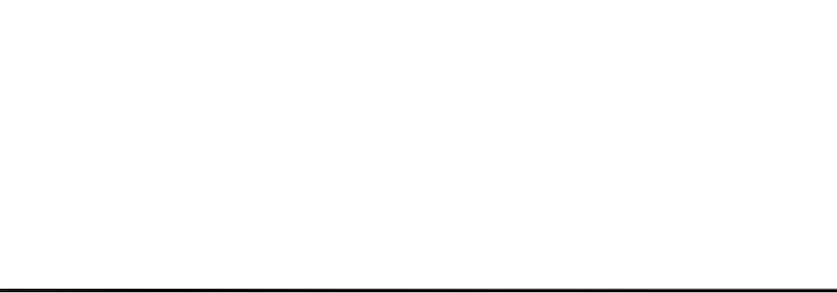
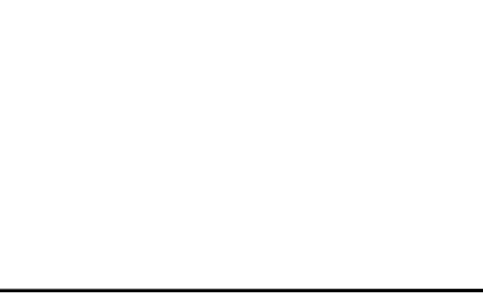
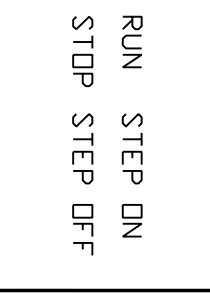
NOT USED



CAUTION! HIGH VOLTAGE
LIVE MAINS POWER



FRONT CONTROL PANEL



IMSAI 8080

THIS IS NOT AN ORIGINAL SCHEMATIC. I HIGHLY RECOMMEND AN ORIGINAL REPRINT OF THE MANUAL FROM WWW.INSAINET.COM AND IS NOT A SUBSTITUTE FOR THE ORIGINAL MANUALS. THIS IS NOT AN OFFICIAL IMSAI DOCUMENT. THE SCHEMATIC AND OPERATION NOTES HERE WERE CREATED IN THE SPIRIT OF THOSE COMPUTER PIONEERS THAT WERE REQUIRED TO HAVE KNOWLEDGE OF ELECTRONICS AND DID NOT HAVE DOCUMENTATION IN THEIR OWN GROUPS. THIS DOCUMENT IS NOT MEANT TO DILUTE HISTORY, INSTEAD TO KEEP THESE MACHINES AND THE LEGACY VERY MUCH ALIVE DATE OF REDRAW: JANUARY 11, 2013

THIS IS NOT AN ORIGINAL SCHEMATIC. I HIGHLY RECOMMEND AN ORIGINAL REPRINT OF THE MANUAL FROM WWW.INSAINET.COM AND IS NOT A SUBSTITUTE FOR THE ORIGINAL MANUALS. THIS IS NOT AN OFFICIAL IMSAI DOCUMENT. THE SCHEMATIC AND OPERATION NOTES HERE WERE CREATED IN THE SPIRIT OF THOSE COMPUTER PIONEERS THAT WERE REQUIRED TO HAVE KNOWLEDGE OF ELECTRONICS AND DID NOT HAVE DOCUMENTATION IN THEIR OWN GROUPS. THIS DOCUMENT IS NOT MEANT TO DILUTE HISTORY, INSTEAD TO KEEP THESE MACHINES AND THE LEGACY VERY MUCH ALIVE DATE OF REDRAW: JANUARY 11, 2013

THIS IS NOT AN ORIGINAL SCHEMATIC. I HIGHLY RECOMMEND AN ORIGINAL REPRINT OF THE MANUAL FROM WWW.INSAINET.COM AND IS NOT A SUBSTITUTE FOR THE ORIGINAL MANUALS. THIS IS NOT AN OFFICIAL IMSAI DOCUMENT. THE SCHEMATIC AND OPERATION NOTES HERE WERE CREATED IN THE SPIRIT OF THOSE COMPUTER PIONEERS THAT WERE REQUIRED TO HAVE KNOWLEDGE OF ELECTRONICS AND DID NOT HAVE DOCUMENTATION IN THEIR OWN GROUPS. THIS DOCUMENT IS NOT MEANT TO DILUTE HISTORY, INSTEAD TO KEEP THESE MACHINES AND THE LEGACY VERY MUCH ALIVE DATE OF REDRAW: JANUARY 11, 2013

THIS IS NOT AN ORIGINAL SCHEMATIC. I HIGHLY RECOMMEND AN ORIGINAL REPRINT OF THE MANUAL FROM WWW.INSAINET.COM AND IS NOT A SUBSTITUTE FOR THE ORIGINAL MANUALS. THIS IS NOT AN OFFICIAL IMSAI DOCUMENT. THE SCHEMATIC AND OPERATION NOTES HERE WERE CREATED IN THE SPIRIT OF THOSE COMPUTER PIONEERS THAT WERE REQUIRED TO HAVE KNOWLEDGE OF ELECTRONICS AND DID NOT HAVE DOCUMENTATION IN THEIR OWN GROUPS. THIS DOCUMENT IS NOT MEANT TO DILUTE HISTORY, INSTEAD TO KEEP THESE MACHINES AND THE LEGACY VERY MUCH ALIVE DATE OF REDRAW: JANUARY 11, 2013

THIS IS NOT AN ORIGINAL SCHEMATIC. I HIGHLY RECOMMEND AN ORIGINAL REPRINT OF THE MANUAL FROM WWW.INSAINET.COM AND IS NOT A SUBSTITUTE FOR THE ORIGINAL MANUALS. THIS IS NOT AN OFFICIAL IMSAI DOCUMENT. THE SCHEMATIC AND OPERATION NOTES HERE WERE CREATED IN THE SPIRIT OF THOSE COMPUTER PIONEERS THAT WERE REQUIRED TO HAVE KNOWLEDGE OF ELECTRONICS AND DID NOT HAVE DOCUMENTATION IN THEIR OWN GROUPS. THIS DOCUMENT IS NOT MEANT TO DILUTE HISTORY, INSTEAD TO KEEP THESE MACHINES AND THE LEGACY VERY MUCH ALIVE DATE OF REDRAW: JANUARY 11, 2013

THIS IS NOT AN ORIGINAL SCHEMATIC. I HIGHLY RECOMMEND AN ORIGINAL REPRINT OF THE MANUAL FROM WWW.INSAINET.COM AND IS NOT A SUBSTITUTE FOR THE ORIGINAL MANUALS. THIS IS NOT AN OFFICIAL IMSAI DOCUMENT. THE SCHEMATIC AND OPERATION NOTES HERE WERE CREATED IN THE SPIRIT OF THOSE COMPUTER PIONEERS THAT WERE REQUIRED TO HAVE KNOWLEDGE OF ELECTRONICS AND DID NOT HAVE DOCUMENTATION IN THEIR OWN GROUPS. THIS DOCUMENT IS NOT MEANT TO DILUTE HISTORY, INSTEAD TO KEEP THESE MACHINES AND THE LEGACY VERY MUCH ALIVE DATE OF REDRAW: JANUARY 11, 2013

FORCES HEX 'C3' ON DATA BUS
IN EFFECT, CAUSES A JUMP INSTRUCTION

ORDER OF SWITCHES ON FRONT PANEL
EXAMINE DEPOSIT RESET RUN STEP ON
EXEC-NEXT DE-NEXT EXT CLR STOP STEP OFF

MPU'S LOCAL DATA BUS
ADDRESS
DATA

MPU'S LOCAL DATA BUS
ADDRESS
DATA

MPU'S LOCAL DATA BUS
ADDRESS
DATA

MPU'S LOCAL DATA BUS
ADDRESS
DATA

MPU'S LOCAL DATA BUS
ADDRESS
DATA

NOT USED

NOT USED

NOT USED

NOT USED

NOT USED

NOT USED

NOT USED

CAUTION! HIGH VOLTAGE
LIVE MAINS POWER

CAUTION! HIGH VOLTAGE
LIVE MAINS POWER

CAUTION! HIGH VOLTAGE
LIVE MAINS POWER

CAUTION! HIGH VOLTAGE
LIVE MAINS POWER

CAUTION! HIGH VOLTAGE
LIVE MAINS POWER

CAUTION! HIGH VOLTAGE
LIVE MAINS POWER

CAUTION! HIGH VOLTAGE
LIVE MAINS POWER

FRONT CONTROL PANEL

FRONT CONTROL PANEL

FRONT CONTROL PANEL

FRONT CONTROL PANEL

FRONT CONTROL PANEL

FRONT CONTROL PANEL

FRONT CONTROL PANEL

IMSAI 8080

IMSAI 8080

IMSAI 8080

IMSAI 8080

IMSAI 8080

IMSAI 8080

IMSAI 8080