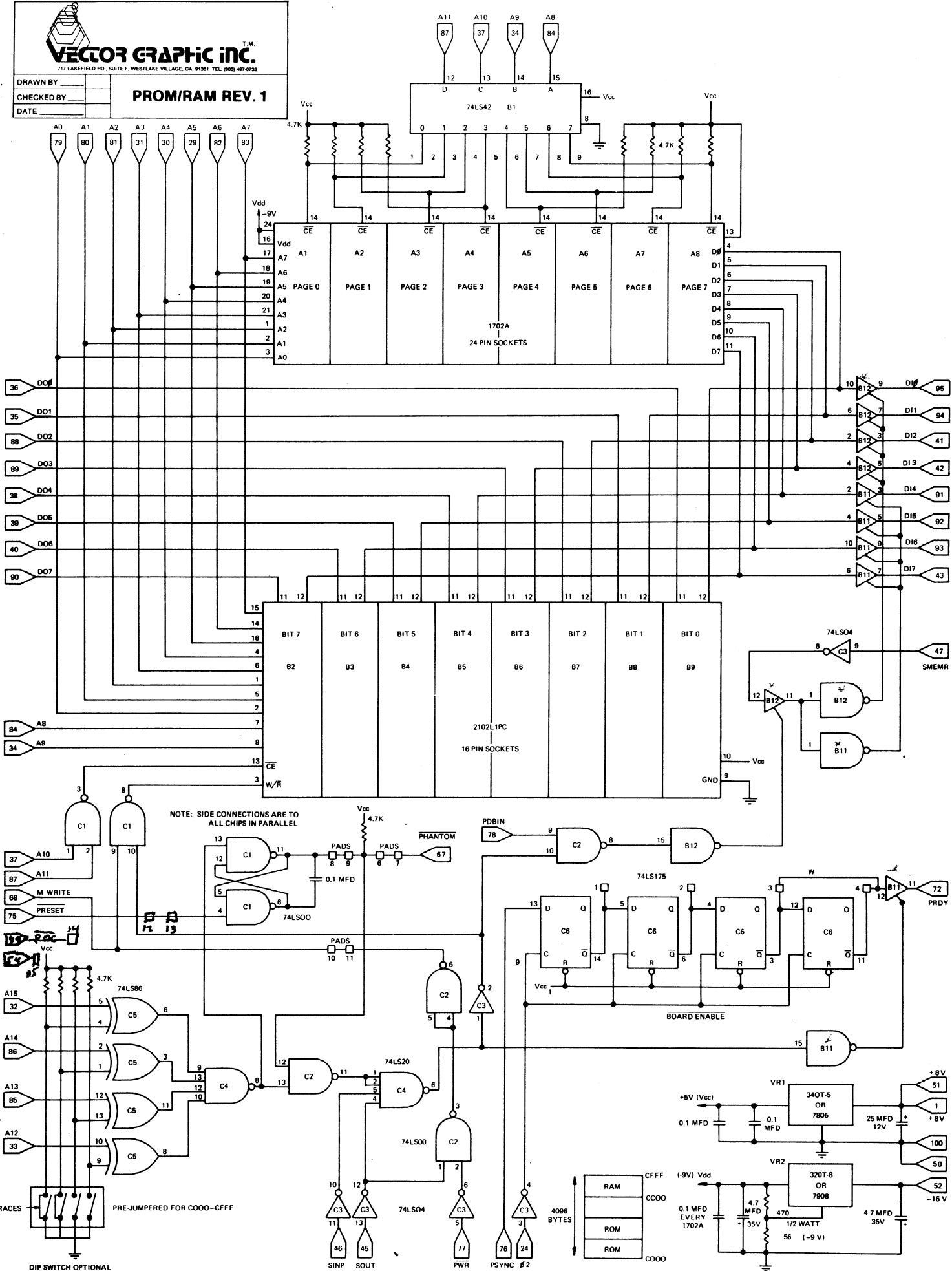




VECTOR GRAPHIC INC.
 717 LAKEFIELD RD., SUITE F., WESTLAKE VILLAGE, CA. 91351 TEL. (800) 497-0733

DRAWN BY _____
 CHECKED BY _____
 DATE _____

PROM/RAM REV. 1



*NOTE IC'S MARKED B11 SHOULD BE B10 AND B2 SHOULD BE B11

OPTIONS:

- (1) MWRITE; PLACE JUMPER 10-11 TO PLACE MWRITE SIGNAL ON BUS (68) GENERATED ON THIS BOARD. IF MWRITE IS GENERATED BY ANOTHER BOARD DO NOT JUMP.
- (2) P05; PLACE JUMPER 8-9 TO ACTIVATE POWER ON JUMP.
- (3) PHANTOM; PLACE JUMPER 6-7 TO DISABLE MEMORY AT PAGE ZERO IF P05 IS USED.
- (4) PRESSET; PLACE JUMPER 12-13 TO ACTIVATE P05 ON PRESSET
- (5) POC; PLACE JUMPER 14-13 TO ACTIVATE P05 ON POC
- (6) EXTCLR; PLACE JUMPER 15-13 TO ACTIVATE P05 ON EXTCLR