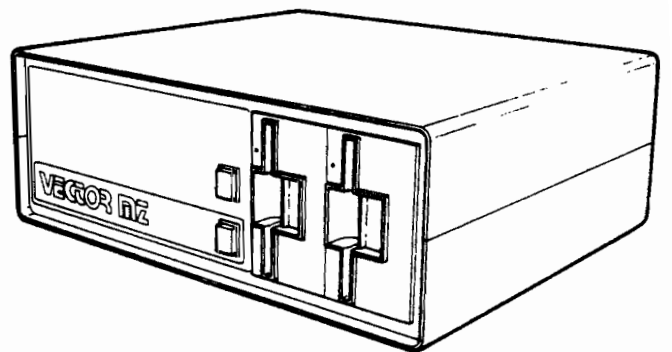
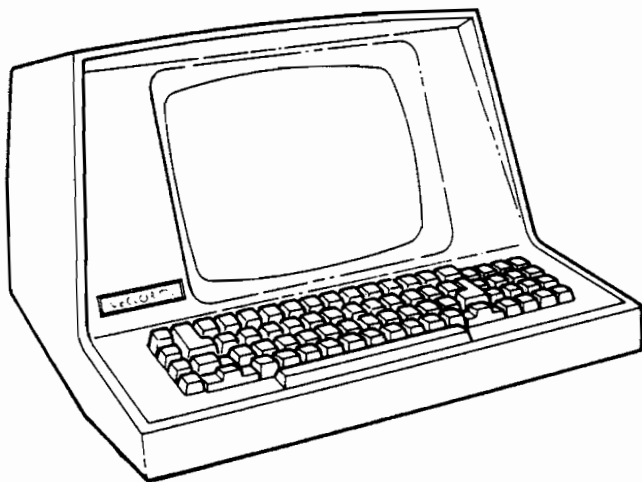


BITSTREAMER II

USER'S MANUAL



 **VECTOR GRAPHIC INC.**

BITSTREAMER II BOARD

Revision 1

USER'S MANUAL

Revision A

January 1, 1980

Vector Graphic Bitstreamer II Board

REPAIR AGREEMENT

The Bitstreamer II Board sold hereunder is sold "as is", with all faults and without any warranty, either expressed or implied, including any implied warranty of fitness for intended use or merchantability. However, the above notwithstanding, VECTOR GRAPHIC, INC., will, for a period of ninety (90) days following delivery to customer, repair or replace any Bitstreamer II Board that is found to contain defects in materials or workmanship, provided:

1. Such defect in material or workmanship existed at the time the Bitstreamer II Board left the VECTOR GRAPHIC, INC., factory;
2. VECTOR GRAPHIC, INC., is given notice of the precise defect claimed within ten (10) days after its discovery;
3. The Bitstreamer II Board is promptly returned to VECTOR GRAPHIC, INC., at customer's expense, for examination by VECTOR GRAPHIC, INC., to confirm the alleged defect, and for subsequent repair or replacement if found to be in order.

Repair, replacement or correction of any defects in material or workmanship which are discovered after expiration of the period set forth above will be performed by VECTOR GRAPHIC, INC., at Buyer's expense, provided the Bitstreamer II Board is returned, also at Buyer's expense, to VECTOR GRAPHIC, INC., for such repair, replacement or correction. In performing any repair, replacement or correction after expiration of the period set forth above, Buyer will be charged in addition to the cost of parts the then-current VECTOR GRAPHIC, INC., repair rate. At the present time the applicable rate is \$35.00 for the first hour, and \$18.00 per hour for every hour of work required thereafter. Prior to commencing any repair, replacement or correction of defects in material or workmanship discovered after expiration of the period for no-cost-to-Buyer repairs, VECTOR GRAPHIC, INC., will submit to Buyer a written estimate of the expected charges, and VECTOR GRAPHIC, INC., will not commence repair until such time as the written estimate of charges has been returned by Buyer to VECTOR GRAPHIC, INC., signed by duly authorized representative authorizing VECTOR GRAPHIC, INC., to commence with the repair work involved. VECTOR GRAPHIC, INC., shall have no obligation to repair, replace or correct any Bitstreamer II Board until the written estimate has been returned with approval to proceed, and VECTOR GRAPHIC, INC., may at its option also require prepayment of the estimated repair charges prior to commencing work.

Repair Agreement void if the enclosed card is not returned to VECTOR GRAPHIC, INC. within ten (10) days of end consumer purchase.

Vector Graphic Bitstreamer II Board

FOREWORD

- Audience** This manual is intended for computer distributors, or others with at least a moderate technical knowledge of small computers.
- Scope** It will describe what the Vector Graphic Bitstreamer II Board does in the context of a computer system, how to use the board both in Vector Graphic and in other S-100 systems, and how the board circuitry works.
- Organization** Each section is written at a uniform level of technical depth. "Perspective" describes WHAT the board does and requires only a moderate knowledge of computer design. Most other sections tell HOW to make it do things and assumes the same level of knowledge, plus the ability to solder jumpers and flip switches. "Theory of Operation" discusses WHY the board works and assumes a knowledge of digital electronics.

II. User's Guide

2.1 Board addressing.....2-1

 Table 1 - Board Address Jumpers.....2-2

 Table 2 - Functions of I/O Addresses and Connectors Used...2-2

2.2 Asynchronous serial baud rate selection.....2-3

2.3 How to connect most RS-232C serial terminals and printers..2-4

2.4 How to connect many low speed asynchronous acoustic
couplers and modems.....2-7

2.5 Connecting additional RS-232C handshaking lines.....2-8

 Table 3 - RS-232C and Connections on Bitstreamer II Board..2-9

 Table 4 - Jumper Areas for Each Serial Channel.....2-11

 Table 5 - 8251 Pins in Jumper Areas.....2-11

 Table 6 - RS-232C Lines Available in Jumper Areas, and
 Pads Connected to +12 VDC.....2-12

 Table 7 - Installing a 1488 Quad Line Driver or a
 1489 Quad Line Receiver, in a Spare Socket.....2-14

2.6 How to connect 20 mA current loop.....2-15

2.7 How to modify the board to generate interrupts.....2-15

 Table 8 - Interrupt Jumper Pads and Mask Bits.....2-15

 Table 9 - 8080 Restart Instructions and Jumpering.....2-17

 Table 10- Data Bus Bytes Generated by a Jumper in Area L...2-18

 Table 11- VI Lines Available in Area K.....2-19

2.8 Using the parallel channels.....2-20

 Table 12- 34-pin Connectors for Parallel Channels.....2-20

2.9 Spare chips and patch areas.....2-21

 Table 13- Spare Inverters in U21.....2-21

 Table 14- Spare Open Collector NAND Gates in Chip U10.....2-21

III. Theory of Operation

3.1 Serial channels.....3-1

3.2 Parallel input channels.....3-1

3.3 Parallel output channels.....3-2

3.4 Interrupts.....3-2

Board layout
Schematic errata
Schematic

Vector Graphic Bitstreamer II Board

TABLE OF CONTENTS

<u>Section</u>	<u>Page</u>
Table of Contents	
Specifications	
I. Perspective	
1.1 Introduction.....	1-1
1.2 Serial channels generally.....	1-1
1.3 Serial asynchronous communication.....	1-2
1.4 Serial synchronous communication.....	1-2
1.5 Interrupt driven serial channels.....	1-3
1.6 RS-232C theory.....	1-4
1.7 RS-232C on the Bitstreamer II.....	1-5
1.8 20 mA current loop.....	1-7
1.9 Real time clock interrupts.....	1-7
1.10 Interrupt vectors and priority.....	1-8
1.11 Parallel channels.....	1-9

Continued

Vector Graphic Bitstreamer II Board

SPECIFICATIONS

Purpose	Multiple serial and parallel input/output.
Compatibility	S-100 systems.
Serial channels	3, using 8251 controller chips.
Channel addresses	x2 and x3, x4 and x5, x6 and x7 where x is any digit 0 to 7. Prewired x is 0. (Each serial channel uses two I/O addresses.)
Signal levels	EIA RS-232C, or 20mA current loop on one channel only.
RS-232 handshaking	Lines 5, 6, and 8 are held high. Other handshaking lines are not connected. Jumper pads are provided to connect them. There is one spare receiver and one spare driver for handshaking lines on board that can be connected by jumper. There are two spare slots if more are needed.
Asynchronous	
Rates	110-9600 baud (switch selectable for each channel).
Data bits	5 - 8, programmable for each channel.
Stop bits	1, 1 1/2, or 2, programmable for each channel.
Parity	Even, odd, or none, programmable for each channel.
Synchronous	
Rates	DC-56K.
Synch detect	Can be wired for internal or external synch. 8251 SYNDET line is not connected.
Clock	Not now connected to the external world as required for synchronous operation.
Parity	Even, odd, or none, programmable for each channel.
Data bits	5 - 8, programmable for each channel.
Sync character	Single or double synch character can be programmed for each channel independently.

Vector Graphic Bitstreamer II Board

Parallel Channels	2, with separate 34-pin connectors.
Latching	Output latched, input not latched.
Signal level	TTL (input = 1 TTL load; output drives 5 TTL loads).
Number of lines	8 input, 8 output for each channel. +5 VDC, +12 VDC, -12 VDC, and GND are also provided for each channel.
Data transfer	Over 100K bytes/second.
Cable	Optional. Has 34-pin female connector and 34-line ribbon cable. No connector is at the other end, allowing user to configure as required. Must be ordered separately.
Dedicated use	If you are using the USARTs on the board as sources of interrupts, you cannot use the output side of Parallel Channel A for normal parallel output.
Interrupts	Interrupts can be generated from any combination of the 3 USART RxDY's, 3 TxDY's, and a 55 Hz real time clock. Jumper pads provided. None prewired.
Masking	Output to parallel channel A selects (masks) interrupt sources previously wired in.
Reset clock line	Dummy input from Parallel Channel B resets 55 Hz real time clock interrupt line during an interrupt service routine. However, Parallel Channel B can be used for normal input (and output) as well.
Modes	Can use 8080, Z80 Mode 0, Z80 Mode 1, or Z80 Mode 2
Vectoring	A Bitstreamer II board can generate one of 9 possible bytes in response to an interrupt, including three of the restart instructions for use with 8080 and Z80 Mode 0 interrupts. Software polls to determine which possible source on a Bitstreamer II board is the actual source of the interrupt.
S-100 interrupt bus	Pads are provided for jumpering interrupt sources to the S-100 VI lines.
Power consumption	+8 Vdc @ 720 mA typical. +16 Vdc @ 30 mA typical. -16 Vdc @ 30 mA typical.
Availability	Shipped assembled, tested, burned in; no kits.

Vector Graphic Bitstreamer II Board

I. PERSPECTIVE

1.1 Introduction

The Vector Graphic Bitstreamer II Board is an all-purpose input/output board for S-100 systems. It offers three serial I/O channels and 2 8-bit parallel input/output channels for interfacing with multiple peripheral devices such as printers, modems, and terminals. It also offers a 55 Hz real-time clock which can interrupt the CPU for functions such as sharing of the CPU by several users or peripherals.

We will use the term "channel" rather than "port" to avoid confusion caused by the fact that each serial channel makes use of two I/O addresses, which are often called I/O "ports."

The CPU sends data to the serial and parallel channels via I/O addresses. The I/O addresses used by the board can be changed as a group. The board uses the eight I/O address x2 to x9 (in hexadecimal notation), where x is any digit from 0 to 7. You specify the value of x by jumper, as listed in Table 1 in Section 2.1. Table 2 in Section 2.1 lists the function of each of the eight I/O addresses, which are fixed relative to one another.

The Bitstreamer II Board does not come with any software for specific applications, though Vector Graphic supplies certain items of software that make use of its features.

1.2 Serial channels generally

The three serial channels center around three industry standard 8251 USART (Universal Synchronous/Asynchronous Receiver/Transmitter) chips. Much of the flexibility of the Bitstreamer II board derives from the flexibility of these chips, which can be modified via software. You, through software, can control the rate of transmission, and the format of the transmitted data. Data is transmitted as ASCII code having between 5 and 8 bits per character, with an optional added-on parity bit (choice of even or odd), and with one start bit and a choice of one, one and a half, or two stop bits per character. Further, using the 8251's, the board can handle either asynchronous or synchronous communication. Each serial channel is entirely independent of the others. Baud rates, format, handshaking, and whether communication is asynchronous or synchronous, is specified independently for each serial channel through software and in some cases hardware modifications.

It is not within the scope of this manual to detail the functioning of the 8251 USART chip, nor to teach the theory of serial communication. In order to write your own communications software or to modify the Bitstreamer II serial channels, you will need to be thoroughly familiar with this chip. You can refer to Intel's Application Note #16, entitled "Using The 8251 Universal Synchronous/Asynchronous Receiver/Transmitter," which Intel will provide. This Note is also an excellent reference on basic communications.

theory. More readily available references on the 8251, but ones that have less to say about communication theory, are the "INTEL 8080 Microcomputer Systems User's Manual," available either from Intel or most computer retail stores, and Adam Osborne's "An Introduction to Microcomputers, Volume II - Some Real Products," also available in many computer stores.

1.3 Serial asynchronous communication

Separately for each serial channel, you can select the rate of transmission and reception from a choice of 110, 150, 300, 600, 1200, 2400, 4800, or 9600 bits/second. You choose the rate using small dip-switches on the board.

If you are writing custom software, there is in addition a simple way in software to divide the chosen rate of a desired channel by 4, allowing some control of the rate without physically opening up the computer. For example, if you have a modem that is switch selectable for either 1200 bits/second or 300 bits/second, you can write a program that enables the operator using the keyboard to change the computer's rate of communication to match that of the modem at any given time.

Separately for each serial channel, you can select via software the number of data bits in each ASCII character, selecting either 5, 6, 7, or 8. You can also select the number of stop bits in each character, selecting either 1, 1 1/2, or 2. Finally, you can select whether or not a parity bit is included for each character, and if chosen, whether or not it is even or odd parity. For how to do this in software, see the references given earlier for the 8251 USART.

1.4 Serial synchronous communication

You can enable one or more serial channels to communicate in synchronous mode. Modifications to the board will be required to accomplish this. In brief, the 8251 SYNDET pin and the TxC and RxC clock pins must be connected to the outside world, which is not the case in the standard configuration of the board.

Once set up for synchronous communication, you can select separately for each such channel the rate of communication, by using an external clock between 0 and 56K bits/second. As with asynchronous communication, you can select via software the character length, selecting either 5, 6, 7, or 8 bits. You can also select via software whether or not a parity bit is included for each character, and if chosen, whether or not it is even or odd parity. Also via software, you can select separately for each channel whether you are using internal or external synchronization, and whether one or two synch characters are used.

Vector Graphic Bitstreamer II Board

1.5 Interrupt driven serial channels

Interrupts can be generated from each of the three 8251 RxRDY pins, and each of the three 8251 TxRDY pins. You can choose to generate interrupts from one or any combination of these six signals. Jumper pads are provided for wiring up the interrupt capability for each of these signals, as described in Section 2.7.

The board requires that you specify in software which of the signals so wired are to actually generate interrupts. This enables you to wire up several of them, and then to dynamically control which ones generate interrupts at any given time. This procedure is called "interrupt masking" and uses an I/O address known as the "interrupt masking register."

For example, assume you are creating a software routine that outputs a character to an 8251 whenever that 8251 is ready to transmit it, but you do not want to poll the 8251 to determine when it is ready. Assume instead that you want to arrange for the 8251 to interrupt some other routine whenever the 8251 is ready to transmit. To do this, you would connect the TxRDY pin of that 8251 to the interrupt line, as described in Section 2.7. Now, as soon as you receive an interrupt, your software will branch to an interrupt service routine which transmits a character. When it is finished transmitting a character, you do not want to re-enable interrupts until you are ready to transmit the next character, because otherwise, the 8251 will tie up the CPU with TxRDY interrupts. The problem is that you do not want to leave interrupts disabled because you want other peripherals such as the keyboard to be able to interrupt. The way you solve this is to enable interrupts, but also mask out the TxRDY interrupt using the interrupt masking register until software is ready to transmit another character.

You must use the interrupt masking register whenever you are using the 8251's to generate interrupts. Even if you do not want to disable some of the interrupt sources, you must enable them at the outset by initializing the interrupt masking register appropriately.

The interrupt masking register is the output side of Parallel Channel A on the Bitstreamer II Board. The parallel channels are discussed later in Perspective. The precise way that the interrupt masking register is used by software is discussed in Section 2.7. If you are using the 8251's as interrupt sources, you cannot use the output side of Parallel Channel A for any other purpose.

1.6 RS-232C theory

This manual cannot describe the RS-232C protocol in detail. For a full description, obtain a copy of the RS-232C EIA STANDARD document, published by Electronic Industries Association, Engineering Department, 2001 Eye Street, N.W., Washington, D.C. 20006. Alternately, if you have access to Data Pro or Auerbach reports on communications, they contain thorough articles describing the protocol and its implications. The following information, however, will be of immediate relevance in this manual:

An RS-232C signal can either be POSITIVE (+12 Vdc) or NEGATIVE (-12 Vdc). Positive is ON or SPACING, Negative is OFF or MARKING. RS-232C line drivers typically invert these signals when they are converted to and from TTL signals. Hence, RS-232C POSITIVE corresponds to TTL low (about 0 Vdc) and RS-232C NEGATIVE corresponds to TTL high (about 5 Vdc). (TTL is the kind of signal used within the computer.)

An RS-232C cable consists of 25 lines. An RS-232C transmit or receive data line carries a serial sequence of POSITIVE and NEGATIVE pulses that correspond with the characters you want to transmit or receive. There is also associated formatting and parity information attached to the information by the communication device such as an 8251. In addition to the transmit and receive data lines, there are ground lines, (lines 1 and 7), and there are handshaking lines that are used by communication, terminal, and computer equipment to inform each other of their status (lines 4, 5, 6, 8, 20, 22, and a few others that are rarely used). The full RS-232C protocol also specifies a set of rarely used "secondary" lines which have the same definitions as some of the primary lines, but carry an independent set of signals. Altogether there are 25 RS-232C lines defined, but most applications use only a few of them.

In the real world, very few devices require "full RS-232C" protocol. In fact, very few devices even require all of the handshaking lines mentioned above. Many require one or even none. Further, many devices use handshaking lines differently than defined by RS-232C, violating the protocol. In short, it is confusing at this time to say that a given device requires "full RS-232C." You must specify exactly what signals it sends and expects to receive on each line.

It is important to understand that most of the RS-232C lines are directional, that is, the protocol specifies which direction the signal travels on each line, relative to the ends of the cable. Therefore, the protocol specifies that at one end of an RS-232C cable there must be a device of the type called "Data Communications Equipment", or "DCE" for short, and at the other end there must be a device of the type "Data Terminal Equipment, or "DTE" for short. The direction of the signal on a given line can be determined once you decide which end of your cable has which kind of device.

Vector Graphic Bitstreamer II Board

The terms Data Communication Equipment and Data Terminal Equipment derive from the original purpose for RS-232C - to connect a terminal with a communication device such as a modem. A computer does not have to be involved at all. Since a computer can either play the part of a terminal, when connected to a modem, or it can play the part of communication equipment, when connected to a terminal, a computer serial channel can be used either as DCE or DTE. However, a given serial channel can only be wired up as one or the other at any one time. If the channel happens to be wired up to look like DCE, and you want to connect it to another DCE such as a modem, then the RS-232C connection will not work. Both ends would be transmitting on the same lines and receiving on the same lines. Before the RS-232C connection can be made, in this case, you must rewire the computer's serial channel so that it receives and transmits on the lines specified for DTE.

1.7 RS-232C on the Bitstreamer II

The Bitstreamer II Board is shipped with one RS-232C Serial I/O Cable. To enable one of the serial channels to communicate over an RS-232C line, you will connect one end of this line to one of the three serial channel sockets on the board, and the other end, having an RS-232C standard DB-25 female connector, to the back panel of the computer. The cable is designed so that appropriate signals from the board are directed to the RS-232C lines at the DB-25 connector as if it were Data Communications Equipment. Thus, the resulting DB-25 socket at the rear of the computer is a DCE RS-232C channel.

Additional Bitstreamer II Serial I/O Cables are available from Vector Graphic for the second and third serial channels on the board.

Drivers are provided for each serial channel to enable the 8251 Transmit Data and Receive Data lines to input or output at RS-232C voltage levels. These receivers and drivers are already connected on the board, requiring no jumpering. When a serial I/O cable is installed for a given serial channel, these signals are connected to RS-232C lines 3 and 2 respectively.

In addition, for each of the 8251's, three of the RS-232C control lines are pulled up to +12V (lines 5, 6, and 8). This is the ON state in RS-232C. (Normally, this will ENABLE equipment that requires such a signal.) When a serial I/O cable is installed for a given channel, these signals are available on the cable's DB-25. These signals are always ON if the board is used without modification. However, you can install jumpers and RS-232C line drivers to enable the 8251 to dynamically control any two of them via software.

Further, a number of other RS-232C lines are available on the board using the standard serial I/O cable mentioned above. These are both input and output lines, but they are not connected to anything other than pads on the board, nor are drivers and receivers connected to them. Including all the lines mentioned previously, the RS-232C lines which are available on the board for each of the three serial channels using a standard serial I/O cable are 1 to 8 and 14 to 21. Table 3 in Section 2.5 lists the functions of each of these lines.

Any RS-232C line can be connected to +12 VDC on the board. In addition, for each channel, the 8251 can be used to monitor in software any one RS-232C handshaking line, and the 8251 can be used to control from software the output of any two RS-232C handshaking lines, and lastly, the 8251's transmitter can be disabled or enabled by any one RS-232C incoming handshaking line. There is one spare RS-232C receiver and one spare RS-232C driver available on the board which can be used to connect one input and one output handshaking line. There are two spare slots on the board for any additionally required receivers or drivers.

For the large majority of applications, no additional RS-232C lines will be required other than those already connected to active components on the Bitstreamer II board, (connected either to drivers, receivers or +12V). Thus the serial channels can very often be used as DCE RS-232C input/output channels without modification. Most serial printers, and terminals, can be connected with little or no difficulty.

To connect to a modem, acoustic coupler, or other kind of Data Communications Equipment, a serial channel must be converted into a DTE RS-232C channel. This can either be done by changing the board wiring slightly, as described in Section 2.4, or by attaching a Vector Graphic Null Modem Cable to the external DB-25, which accomplishes the same thing. However, if RS-232C handshaking is required, other than a constant +12 VDC on certain lines, then additional modifications to the board will be necessary as explained in Section 2.5.

Of course, software is necessary in order to operate specific devices connected to specific serial channels. The three serial channels on the Bitstreamer II board are called "Serial Channel A," "Serial Channel B," and "Serial Channel C." Table 2 gives the correspondence between these channels and specific machine language I/O addresses. Other documents from Vector Graphic describe the particular I/O addresses and peripheral devices which each Vector Graphic software product controls.

Vector Graphic Bitstreamer II Board

In general, Vector Graphic software has been written so that different types of devices are controlled by different serial channels on the Bitstreamer II board. For example, at the time of this writing, any Extended Systems Monitor having option C enables a standard serial terminal to be plugged directly into serial channel A. The Version 4 Extended Systems Monitor (any option) contains a program that enables the operator to communicate to a time share service via a modem connected via an RS-232C cable to serial channel B, which has to be converted to a DTE channel first. Lastly, operating systems such as MDOS and CP/M from Vector Graphic, and Vector Graphic's Word Managment System, output to printers via serial channel C, and in some cases, if you desire, via channel A instead.

1.8 20 mA current loop

Serial Channel C can be modified with a jumper to communicate using 20 mA current loop. Details are given in Section 2.6.

1.9 Real time clock interrupts

The board has a 55 Hz (pulses per second) real-time clock. Connected to this clock is a component (called the "real-time clock latch") which becomes active and stays active as soon as it receives a pulse from the clock. The output of this latch can then be connected to the interrupt line, along with or instead of the 8251 lines. Jumpers pads are provided. This enables you to create software which responds to interrupts arriving every 1/55 of a second, such as multi-user or multi-tasking software.

Your interrupt service routine, the routine that is called in response to the interrupt, must deactivate (reset) the real-time clock latch before re-enabling interrupts. If it does not do this, the latch will immediately cause another interrupt, even though the clock has not produced another pulse. To do this, execute an input instruction from Parallel Channel B on the Bitstreamer II Board. (Parallel channels are discussed later in Perspective.) You do not use the inputted data, you only input it and then ignore it. The action of inputting from this channel resets the real-time clock latch. If you are using the real-time clock on the Bitstreamer II as a source of interrupts, you can still use the input side of Parallel Channel B for real inputting of data at other times.

Details of wiring and using real time clock interrupts with this board are given in Section 2.7.

1.10 Interrupt vectors and priority

We have explained above that interrupts can be generated from any combination of the three 8251 RxRDY lines, the three 8251 TxRDY lines, and the 55 Hz real-time clock. You can use any of the 8080 or Z80 interrupt modes. If the mode you are using requires hardware to place a byte on the data bus, you have a choice of nine different bytes, as shown in Table 10 in Section 2.7. You specify the byte by installing jumpers in pads provided, as described in Section 2.7.

The same byte is generated no matter what the interrupt source on the board. However, if there are more than one Bitstreamer II Boards in the system, each of them can be wired to generate a different byte. Therefore, software can determine which board is the source of the interrupt, but it must poll the potential sources within that board to determine which one is the actual source. Alternately, you can wire all the boards to put the same byte on the data bus, and have software poll all the boards to find the source of the interrupt.

If you would like to build more sophisticated interrupt handling or prioritizing circuitry, the interrupt signals from the Bitstreamer II Board can be passed to such a custom board over the S-100 VI lines. Pads are provided, as described in Section 2.7.

Vector Graphic Bitstreamer II Board

1.11 Parallel channels

The Bitstreamer II has two independent parallel input/output channels, called Parallel Channels A and B. Each channel has its own 34-pin edge connector. Vector Graphic supplies an optional 34-line ribbon cable that connects to this edge connector. The other end of this cable has no connector on it, allowing you to configure it as desired. Many of the 34 lines are not used, as discussed below.

Each parallel channel has eight pins for output and eight pins for input. Additional pins provide +5 VDC, +12 VDC, -12 VDC, and GND. Exact pin assignments are given in Table 12 in Section 2.8. Input and output is accomplished using IN and OUT machine language instructions within software prepared for specific applications. Output is latched on the board, so that after an OUT instruction is executed, the eight bits of data remain available to the external device until the computer changes it. Input is NOT latched, so that software must be written to sense in some way that data is available and to input that data. There are no interrupt lines connected to the parallel channels. Table 2 gives the specific machine language I/O addresses assigned to each parallel channel.

We repeat a points made earlier: If you are using the 8251s on the board as sources of interrupts, you cannot use the output side of Parallel Channel A for normal parallel output. It is used instead as the interrupt masking register.

II. USER'S GUIDE

To determine the physical location on the board of a particular jumper area, refer to the assembly drawing near the end of this manual.

2.1 Board addressing

The Bitstreamer II occupies eight I/O addresses. They are x2 to x9 where x can be any digit between 0 and 7. (Note that all I/O addresses in this manual are given in hexadecimal notation, which is base 16.) The lowest address assigned to a Bitstreamer II board is called its "base address." For example, if a board's base address is 02, the board occupies I/O addresses 02 - 09. Thus, in this example, I/O addresses 00, 01, and 10 - FF are available for other boards in the system to use.

Since x can be any digit between 0 and 7, the lowest base address is 02 and there are eight allowed base addresses: 02, 12, 22, 32, 42, 52, 62, and 72. It should be clear that the left hand digit of the base address will be the same as the left hand digit of each of the board's I/O addresses. For example, if the base address is 42, the board occupies I/O addresses 42 - 49.

You determine what base address a particular board has by soldering jumpers in Area W, which is labeled "Address Select" on the board itself. Rather than giving names to the pads within Area W, the board gives a name to each pair of pads. The names given are W1, W2, W3, W4, W5, and W6. To specify any given base address, you connect one or more of these pairs, as specified by the x marks in Table 1, below. First check the back side of the board, where some of these connections may already be made by way of metallic traces or previously installed jumpers. Cut the traces and jumpers that are not needed, and solder on jumpers that are needed, as per Table 1:

Vector Graphic Bitstreamer II Board

Base Address	I/O Addresses Used by Board	W1	W2	W3	W4	W5	W6
02	02 - 09		x		x		x
12	12 - 19		x	x			x
22	22 - 29		x		x	x	
32	32 - 39		x	x		x	
42	42 - 49	x			x		x
52	52 - 59	x		x			x
62	62 - 69	x			x	x	
72	72 - 79	x		x		x	

Board Address Jumpers.

Table 1.

You cannot alter the functions of the I/O addresses relative to one another. In other words, on a Bitstreamer II board with a base address of 02, I/O address 07 has the same function as address 47 on a Bitstreamer II board having base address of 42. The following table gives the function of each I/O address:

I/O address	Example	Name of Channel	Connector on the Board
x2 x3	02 03	Serial Channel A	J3 (bottom 16-pin socket on board's right side)
x4 x5	04 05	Serial Channel B	J2 (middle 16-pin socket on board's right side)
x6 x7	06 07	Serial Channel C	J1 (top 16-pin socket on board's right side)
<i>Centronics Port</i> x8	08	Parallel Channel A	J4 (left 34-pin connector at top of board)
x9	09	Parallel Channel B	J5 (right 34-pin connector at top of board)

Functions of I/O Addresses and Connectors Used

Table 2

Vector Graphic Bitstreamer II Board

2.2 Asynchronous serial baud rate selection

Independently for each serial channel, you select the desired baud rate through a combination of hardware switches and software. If you are using the standard operating systems and Extended Systems Monitors for Vector Graphic Systems, however, you need only be concerned with the hardware switches.

The hardware switch for each serial channel is located in the upper left hand corner of the board. They are labeled as a group "Baud Rate Select" and individually as "Chan-C," "Chan-B," and "Chan-A," from left to right. For each serial channel, the switch contains eight rockers labeled "1" to "8" and also labeled "9600," "4800," "2400," "1200," "600," "300," "150," and "110." The switches are in addition labeled "OPEN" on the left side.

To select one of the labeled baud rates for a particular serial channel, press the desired rocker down on the right side, i.e. on the side opposite the "OPEN" designation. Then press all other rockers within the same switch down on the left side, i.e. toward the "OPEN" designation. The result must be that one rocker is down toward the right, and all others are down toward the left. Otherwise the serial channel will not work at all.

If you are not using a particular serial channel, do not worry about the position of its baud rate switch.

The labeled baud rates assume that the corresponding 8251 will be initialized for a clock factor of 16. (It creates the baud rate by dividing the clock input by 16.) This initialization is handled in software, as described in the 8251 references given in Perspective. All standard Vector Graphic software, unless otherwise documented, use a clock factor of 16, and therefore the labeled baud rates are correct.

However, custom software can use a clock factor of 64. If this is the case, the actual baud rate will be 1/4 of the baud rate selected on the switch. (The only two asynchronous clock factors allowed by the 8251's are 16 and 64.) Further, it may be desired to create software which allows the operator to choose between two baud rates that differ by a factor of 4. For example, the software may be designed in conjunction with a modem that can accept signals at either 300 or 1200 baud. In this case, you would create the software so that the operator's input determines whether the 8251 is initialized with a clock rate factor of 64 or 16, respectively.

Remember, if you are using standard Vector Graphic software, do not worry about this software option. You simply set the baud rate for a desired serial channel by setting the baud rate select switch on the Bitstreamer II board.

2.3 How to connect most RS-232C serial terminals and printers

To connect a serial channel to an external peripheral, plug the male 16-pin connector of a Bitstreamer II serial I/O cable into the 16-pin socket of the desired serial channel, on the right side of the board. Then, in most cases connect the DB-25 socket at the end of this cable to the peripheral, using a 25-wire flat ribbon cable. Details (and exceptions) are as follows:

Table 2 names the 16-pin socket corresponding to each channel. Always insert the connector so that the ribbon cable emerges toward the top of the board. You can double check this by checking that the "1" on the connector corresponds with the "1" printed on the board next to the socket. Then install the DB-25 at the other end of the cable into one of the available sockets at the rear of the computer, or wherever convenient.

The board comes with one serial I/O cable. Vector Graphic will supply additional cables when ordered.

Many RS-232C serial terminals and printers, particularly those working at 1200 baud or less, require none of the RS-232C handshaking lines. Some require that one of these handshaking lines be held at +12 VDC. In either case, you can plug these peripherals directly into the DB-25 at the end of the serial I/O cable without modifying the board at all, because the board holds the most common handshaking lines at +12 VDC - lines 5, 6, and 8. Note that the Bitstreamer II does not require any handshaking signals from the peripheral in order to operate.

If you are not sure whether the board will work without modification, try it before attempting to add additional handshaking signals. Generally, to make sure that you are connecting all the necessary lines, use a 25-wire ribbon cable between the DB-25 at the end of the serial I/O cable and the DB-25 connected to the peripheral. The Bitstreamer II board does not generate undesired inhibiting signals on any of the lines.

If a 25-wire cable is not possible, then attempt the connection using three wires, connecting RS-232C lines 2, 3, and 7 from the DB-25 at the end of the serial I/O cable to the same pins on the DB-25 which plugs into the peripheral. (Receive-only printers that do not generate acknowledgement signals, such as Teletype or Decwriters, do not require connecting line 2. It is never necessary to connect line 1 - protective ground - because the Bitstreamer I does not ground it.) If this does not work, then the peripheral may require one of the RS-232C handshaking lines. The two most common RS-232C handshaking lines required by serial peripherals are Clear to Send (line 5) and Data Set Ready (line 6). On some occasions, Received Line Signal Detector (line 8) may be required. These three lines are held at +12 VDC by the Bitstreamer II board. The manual for your peripheral should specify if any are required. To connect one or more, simply connect a wire between the corresponding desired pin numbers on the DB-25's at both ends of your external cable, in addition to the three lines (2, 3, and 7) given above. Remember that you do not have to worry about this if you simply use a 25-wire ribbon cable.

Vector Graphic Bitstreamer II Board

Many peripherals hold either or both lines 4 and 20 at +12 VDC. This allows an alternate method of providing the peripheral with +12 VDC on lines 5, 6, and/or 8. Simply make the appropriate connection(s) at the back of the peripheral. This can be done by soldering jumpers within the DB-25 connector or external to it. For example, to provide +12 VDC on lines 5 and 6, you can connect pin 4 to 5, and pin 6 to 20. This eliminates the need for the extra wires in your external cable, though it is a less elegant solution. Again, this is only necessary if you are not using a 25-wire ribbon cable.

The following describes the external cabling required by three commonly used peripherals. In each case, we are referring to the serial interface version of the peripheral. In each case, do not forget to set the appropriate channel (usually Channel C) on the Bitstreamer II board to the same baud rate that you are setting the printer.

(1) Hazeltine 1400 Video Display Terminal or equivalent:

Use a 25-wire ribbon cable. Alternately, create a 3-wire cable connecting lines 2, 3, and 7 straight through.

Ignore the instruction in the Hazeltine 1400 Video Display Terminal Reference Manual (May 1978) in Section 5.5 which direct you to cross lines 2 and 3 if connecting directly to a computer. (That instruction assumes you are connecting to a computer channel configured as Data Terminal Equipment.) Also ignore the instruction to connect line 1 and ignore the absence of an instruction to connect line 7.

Other Hazeltine terminals are usually connected in the same way.

(2) Diablo 1610 or 1620 printers, NEC Spinwriter with Diablo protocol, Qume Sprint 5, or DataProducts letter quality printer with Diablo protocol:

Use a 25-wire ribbon cable.

Alternately, you can create a 6-wire cable connecting lines 2, 3, 5, 6, 7, and 8 straight through. However, if you are not using the ASCII acknowledgement signals sent by these printers and you are not using a keyboard built into the printer, you do not have to connect lines 2 and 5. Since most Vector Graphic software makes use of the acknowledgement signals (emulating the Diablo protocol), you should connect these two lines when using a Vector Graphic computer.

With at least the Qume, you can use a 3-wire cable connecting only lines 2, 3, and 7 if you connect pins 5, 6, and 8 to pin 20 at the back of the printer.

Note that some models of these printers have female sockets in their rear, in which case you will have to configure a cable with male connectors at both ends.

(3) TI 810 Receive-Only Printer

1200 baud or less:

Use a 25-wire ribbon cable, with male DB-25 connectors at both ends. (TI 810 has a female connector at its rear, as does the Bitstreamer II Serial I/O cable.) On both ends of this male-to-male cable, pin 1 is the upper left-hand pin when looking toward the connector's pins and holding the connector so that the longer row of pins is on top.

Alternately, you can create a 2 wire cable connecting lines 3 and 7 straight through, and using a male DB-25 at both ends, as described above. In addition, you MUST solder a jumper between pins 6, 8, and 9 at the printer end of the cable, in order to enable the printer. (The printer provides +12 VDC on line 9, and requires +12 VDC on lines 6 and 8.)

2400 baud or more:

Since the TI 810 printer can print no faster than 150 characters per second, which corresponds to 1500 baud, transmitting at a rate of 2400 baud is too fast for the printer using the cable connection described above. However, the TI 810 can receive at up to 9600 baud. This is feasible if the computer monitors line 11 coming from the printer. The printer pulls line 11 down to -12 VDC when it cannot accept any more characters, and otherwise holds line 11 at +12 VDC. Line 11 is called "printer busy status." Since RS-232C line 11 is not brought onto the board by the Bitstreamer II Serial I/O cable, you have to string a wire from the RS-232C connector to the Bitstreamer II board. Connect this line to the input of the spare RS-232C line receiver (U26 pin 1) and connect the output of this receiver (U26 pin 3) to pad 1 of jumper area P, O, or N (depending on whether you are using serial channel A, B, or C respectively.) Then cut the trace which leads from this jumper pad to ground, on the back side of the board.

What the above accomplishes is to connect the printer busy status line to the CTS input of the 8251 so that when the printer signals it cannot accept more characters, CTS is pulled up, which disables the 8251 transmit circuit which in turn prevents software from sending characters to the 8251. This assumes the software polls the 8251 TxRDY status bit or is interrupt driven by the TxRDY line. The former is true for all serial printer drivers from Vector Graphic at the time of this writing.

Note:

When the computer is sending a great deal of data to the TI 810 directly from memory without any pauses at all, even 1200 baud is too fast. The result will be occasional loss of a line of output. This will not happen with most business software or program assembly, because there are many pauses for disk access and/or calculation. It may happen however when printing editor or word processor text directly from memory. If you expect to encounter this, install the modification given above under "2400 baud or more" if the printer is used at 1200 baud.

Vector Graphic Bitstreamer II Board

2.4 How to connect many low speed asynchronous acoustic couplers and modems

This section is applicable to many acoustic couplers and modems which carry out asynchronous communications at rates of 1200 baud or less. It is almost always applicable for asynchronous couplers and modems operating at 300 baud or less. Specifically, it is applicable to modems and couplers which require only three RS-232C lines coming from the computer: Transmit Data (line 2), Receive Data (line 3), and Signal Ground (line 7).

Because the Bitstreamer II board is wired for direct connection to a terminal, you cannot simply connect the Bitstreamer II serial I/O cable to the modem. This is because both the modem and the Bitstreamer II serial channels in their normal configuration are Data Communication Equipment, and therefore they both expect to receive data on line 2 and to transmit data on line 3. Another problem is that most modems and couplers have female sockets, and the DB-25 connector at the end of the Bitstreamer II serial I/O cable is also a female socket.

One solution: create a three line cable with male DB-25 connectors at both ends. Wire line 7 straight across, and cross lines 2 and 3. In other words, connect pin 2 of one connector to pin 3 of the other, and vice versa. Such a cable will work with any modem or coupler requiring only three lines. Connect one end of the cable to the DB-25 of the Bitstreamer II Serial I/O cable and the other end to the modem or coupler.

Another solution: order a "Null Modem Cable" from Vector Graphic, or make one yourself. This is a very short cable with a male DB-25 connector at both ends. Lines 2 and 3 are crossed (as well as other pairs of lines not relevant here). Plug one end of this cable into the DB-25 at the end of the Bitstreamer II Serial I/O cable and plug the other one into the female connector at the end of an RS-232C extender cable coming from the modem or coupler.

We strongly suggest that you do not modify the Bitstreamer II board itself or the Bitstreamer II Serial I/O cable, in order to cross lines 2 and 3. By modifying or adapting the external cabling instead, the computer itself remains standard, and the serial channels can easily be used for connecting to a terminal or other kind of peripheral if every required.

2.5 Connecting additional RS-232C handshaking lines

If you are using a terminal which requires handshaking over and above the +12 VDC supplied on lines 5, 6, and 8, or if you are using a modem or coupler which requires any handshaking at all, that is, requires more than a three line connection (lines 2, 3 and 7), then continue reading this section.

Table 3 lists all 25 RS-232C lines by name, number, and source, and indicates what subset of these are connected to the Bitstreamer II board via the Bitstreamer II Serial I/O cable. For this subset, the table specifies each line's pin number on the 16-pin socket connected to the end of the Bitstreamer II Serial I/O cable. The table also lists those lines which are connected to components or jumper pads, in the factory configuration of the board, and what they are connected to. "8251-n" means it is connected to pin "n" of an 8251. "H,I,J-n" means it is connected to pad "n" in jumper Areas H, I, or J, depending on which channel you are concerned with. (Area H is for Serial Channel C, Area I for Serial Channel B, and Area J for Serial Channel A.) +12 means the line is connected to +12 VDC in the factory configuration. "GND" indicates the line is connected to Ground in the factory configuration. This table applies equally to all three serial channels.

Vector Graphic Bitstreamer II Board

RS-232C name	Source	RS-232C pin number (at the DB-25)	Bitstreamer II pin number on 16-pin socket J1, J2, or J3	Component connected to on the board	8251 pin name, or other if relevant
Protective Ground	Both	1	16	—	—
Transmitted Data	DTE	2	15	8251-19	RxD
Received Data	DCE	3	14	8251-3	TxD
Request to Send	DTE	4	13	H,I,J-1	—
Clear to Send	DCE	5	12	H,I,J-2	+12
Data Set Ready	DCE	6	11	H,I,J-3	+12
Signal Ground	Both	7	10	—	GND
Received Line Signal Detector	DCE	8	9	H,I,J-4	+12
(Reserved for Data Set Testing)	—	9	—	—	—
(Reserved for Data Set Testing)	—	10	—	—	—
(Unassigned)	—	11	—	—	—
Secondary Received Line Signal Det.	DCE	12	—	—	—
Secondary Clear to Send	DCE	13	—	—	—
Secondary Transmitted Data	DTE	14	1	—	—
Transmitter Signal Element Timing (DTE Source)	DTE	15	2	—	—
Secondary Received Data	DCE	16	3	—	—
Receiver Signal Element Timing (DCE Source)	DCE	17	4	—	—
(Unassigned)	—	18	5	—	—
Secondary Request to Send	DTE	19	6	H,I,J-6	—
Data Terminal Ready	DTE	20	7	H,I,J-5	—
Signal Quality Detector	DCE	21	8	—	—
Ring Indicator	DCE	22	—	—	—
Data Signal Rate Detector	Either	23	—	—	—
Transmitter Signal Element Timing (DCE Source)	DCE	24	—	—	—
(Unassigned)	—	25	—	—	—

RS-232C and Connections on Bitstreamer II Board

Table 3

It is important to note here that in the RS-232C protocol, any given line has one name, regardless of your point of view. For example, although a modem, which is a kind of Data Communications Equipment ("DCE"), receives its data on line 2, line 2 is still called Transmitted Data. Notice that the names of the lines are more meaningful if you look at them from the point of view of a terminal at the other end of the line, that is from the point of view of the Data Terminal Equipment ("DTE"). According to RS-232C, Data Terminal Equipment transmits on the Transmitted Data line and receives on the Received Data line.

The Bitstreamer II board is wired to behave as if it were Data Communications Equipment. This is reasonable because the board is most commonly connected to printers, CRT's, and other kinds of Data Terminal Equipment. This explains why RS-232C line 2 - Transmitted Data - is connected to the 8251 RxD (Receive Data) line, and why line 3 - Received Data - is connected to the 8251 TxD (Transmit Data) line, in the factory configuration.

If you want to connect the board to a modem, that is, you want the board to behave like Data Terminal Equipment, you have to reverse lines 2 and 3 somewhere. The result would be that RS-232C Transmitted Data is connected to the 8251 TxD pin and RS-232C Received Data is connected to the 8251 RxD pin, which is exactly the way Data Terminal Equipment should behave.

To make the board look like Data Terminal Equipment, you also should eliminate the +12 VDC signals on lines 5, 6, and 8, unless you are absolutely sure that the Data Communications Equipment you are connecting to does not send handshaking signals on one or more of these lines. (Many low speed acoustic couplers do not use these lines.) The reason is that if the Data Communications Equipment has an RS-232C line driver connected to one of these lines, the +12 VDC could blow it out.

To send handshaking signals: Data Communication Equipment connected to the board may require a +12 VDC on some other line (most often line 4 or line 20). Similarly, a piece of Data Terminal Equipment connected to the board may require +12 VDC on some line other than 5, 6, or 8, though this is rare. You can supply +12 VDC as a constant enabling signal, by connecting the desired RS-232C line(s) to +12 VDC through a pull-up resistor.

Alternately, you can connect the required line(s) via an RS-232C line driver to the 8251 and thus allow your software to control the +12 VDC enabling signal(s), if desired. The 8251 has two pins that can be controlled by software. They are pin 23 ($\overline{\text{RTS}}$) and pin 24 ($\overline{\text{DTR}}$). Software controls the status of these pins by outputting a command instruction byte to the 8251, as described in the 8251 references mentioned in the Perspective section of this manual. Note that by sending a binary 1 to one of these status lines, the line is turned ON, which is converted by the RS-232C line driver into +12 VDC.

To receive handshaking signals: Data Communications Equipment connected to the board may send +12 VDC handshaking signals on one or more lines, most often RS-232C lines 5, 6, 8 and/or 22. Similarly, Data Terminal Equipment

Vector Graphic Bitstreamer II Board

connected to the board may send +12 VDC on one or more lines, most often RS-232C lines 4 and/or 20. You do not have to monitor these lines, necessarily. If you choose to, you can connect one or two of these lines to the 8251 via an RS-232C line receiver. The 8251 has two pins that can be used to receive handshaking signals: pin 17 (\overline{CTS}) and pin 22 (\overline{DSR}). Software can monitor the status of \overline{DSR} by monitoring the appropriate bit in the 8251 status byte. The RS-232C line receiver causes +12 VDC to make this bit a binary 1 (ON). Software cannot monitor the \overline{CTS} status. Rather, if the input to \overline{CTS} is OFF, the 8251 will not transmit anything. Software can tell that the 8251 is ready to transmit by monitoring the TxRDY bit in the status byte, or by being interrupted by the TxRDY 8251 output (pin 15). For information on the 8251 status byte, refer to one of the 8251 references mentioned in the Perspective section of this manual.

Detailed instructions for installing the appropriate jumpers and chips (if necessary) follow:

Most RS-232C handshaking lines are available on the board, as shown by Table 3, in jumper areas H, I, or J (depending on which channel you are connecting to). 8251 pins 17, 22, 23, and 24 are available in jumper areas N, O, or P (depending on which channel you are connecting to.) For convenience, Table 4 below lists the jumper areas associated with each of the serial channels:

Serial Channel	16-pin Connector Socket	I/O Jumper Area	8251 Jumper Area
A	J3	J	P
B	J2	I	O
C	J1	H	N

Jumper Areas for Each Serial Channel

Table 4

Table 5 lists which 8251 pin is available at each pad in Areas N, O, and P:

8251 Pin Name	8251 Pin Number	Pad in Area N, O, and P	Direction from 8251
\overline{CTS}	17	1	In
\overline{DSR}	22	2	In
\overline{RTS}	23	3	Out
\overline{DTR}	24	4	Out

8251 Pins in Jumper Areas

Table 5

Vector Graphic Bitstreamer II Board

Table 6 lists the RS-232C line available at each pad in Area H, I, and J. The first set of RS-232C lines in the table apply if a standard 25-line RS-232C cable is used. The second set of RS-232C lines apply if Vector Graphic's Null Modem Cable is attached to the end of the Bitstreamer II Serial I/O cable, and then a standard RS-232C cable running to the peripheral is attached to the other end of the Null Modem Cable. In the Null Modem Cable, several pairs of RS-232C lines are crossed, so that RS-232C lines leaving the peripheral arrive at the Serial I/O cable on different pins. The table also shows the three lines which are connected to +12 VDC on the board, through a pull up resistor.

Pad in Area H, I, and J	RS-232C Line (Standard cable only is used)	RS-232C Line (if Modem Adapter Cable is used)
1	4	5
2 (+12 VDC)	5	4
3 (+12 VDC)	6	20
4 (+12 VDC)	8	19
5	20	6
6	19	8

RS-232C Lines Available in Jumper Areas, and Pads Connected to +12 VDC

Table 6

Table 6 gives an idea of what the Null Modem Cable does, in addition to the fact that it crosses lines 2 and 3. A complete description is as follows: The Null Modem Cable has 25 lines, with a male DB-25 at each end. The pairs of lines which are crossed are 2 and 3, 4 and 5, 6 and 20, and 8 and 19. All other lines are wired straight through.

If you are connecting an RS-232C handshaking line to some point on the board, refer to Table 6 to determine where in Area H, I, or J you can access the line. If you need access to an RS-232C line which is not available either in Area H, I, or J, or at one of the pins of sockets J1, J2, or J3, then you bring it to the board using a separate wire running from the DB-25 at the other end of the Serial I/O Cable.

To connect an RS-232C line directly to +12 VDC, simply install a jumper on the back of the board from the desired pad in Area H, I, or J to the closest end of the pull up resistor R9, R10, or R11 respectively. DO NOT CONNECT IT DIRECTLY TO +12 VDC ON THE BOARD. Each resistor is found just above its corresponding jumper area.

Remember that if you are connecting a serial channel to a modem or other Data Communications Equipment, and you are not using the Null Modem Cable, you should disconnect RS-232C lines 5, 6, and 8 from the +12 VDC source on the board, unless you are positive it poses no danger to the Data Communications Equipment. You can cut these connections on the back of the

Vector Graphic Bitstreamer II Board

board, right next to the corresponding pads in Areas H, I, or J (depending on which channel you are concerned with).

If you ARE using a Null Modem Cable, the +12 VDC signals are routed to RS-232C lines 4, 20, and 19 respectively, on which the Data Communications Equipment CAN receive +12 VDC without harm. Therefore, when using a Null Modem Cable, you do not have to disconnect a line from +12 VDC unless you want to control the status of that line from software.

To control an RS-232C handshaking line from software, it must pass from an 8251 output pin to the input of one of the driver circuits in a 1488 quad line driver. It must then pass from the output of this 1488 driver circuit to the RS-232C line, (using one of the pads in Area H, I, or J, if possible.)

To respond to an incoming RS-232C handshaking line, it must pass (from one of the pads in Area H, I, or J, if possible) to the input of one of the receiver circuits in a 1489 quad line receiver. It must then pass from the output of this 1489 receiver circuit to one of the 8251 input pins, (using one of the pads in Area N, O, or P).

For reference:

1488 = a quad line driver.
1489 = a quad line receiver.

There is one spare receiver circuit and one spare driver circuit on the board. The RS-232C input to the spare receiver is U26 pin 1 and its output is U26 pin 3. The input to the spare driver is U22 pin 2 and its RS-232C output is U22 pin 3. Wire your jumpers directly to these pins, when required.

If additional receiver and/or driver circuits are required, they can be added to the board, using the two spare sockets U25 and U28. Note that these are 16-pin sockets, though a 1488 and 1489 are 14 pin chips. Insert the chip with its notch upward in the TOP 14 holes in the socket. It does not matter which of the two spare sockets is used for a 1488 and which is used for a 1489. Both a 1488 and a 1489 have four circuits in each, which should be more than enough to handle all required handshaking for at least one channel. Next to socket U25 there are two jumper areas, Area C and Area D. Next to socket U28 there are two more jumper areas, Area E and Area F. Use a pad in one of the jumper areas rather than jumpering directly to the sockets.

If you install a 1488 driver in socket U25 or U28, then the functions of the various jumper pads are described in Table 7. Analogously, if you install a 1489 receiver in socket U25 or U28, then the functions of the various jumper pads are also described in Table 7. "C,E-n" means pad n of either Area C or Area E, depending on whether you are using socket U25 or U28. The same is true for "D,F-n". If two pads are listed for a function, they must be jumpered together and then jumpered to the input source. (Such a circuit will not accept an input unless it appears on both pads simultaneously.) Connect the pads requiring voltage and ground to the voltage and ground jumper areas on the board, found just below Areas E and F.

Function	Pad
-12 VDC	C,E-1
Input, circuit A	C,E-2
Output, circuit A	C,E-3
Input, circuit B	C,E-4 and C,E-5 (both must be connected)
Output, circuit B	C,E-6
Ground	C,E-7
+12 VDC	D,F-1
Input, circuit D	D,F-2 and D,F-3 (both must be connected)
Output, circuit D	D,F-4
Input, circuit C	D,F-5 and D,F-6 (both must be connected)
Output, circuit C	D,F-7

Installing a 1488 Quad Line Driver in a Spare Socket

Function	Pad
Input, circuit A	C,E-1
Output, circuit A	C,E-3
Input, circuit B	C,E-4
Output, circuit B	C,E-6
Ground	C,E-7
+5 VDC	D,F-1
Input, circuit D	D,F-2
Output, circuit D	D,F-4
Input, circuit C	D,F-5
Output, circuit C	D,F-7

Installing a 1489 Quad Line Receiver in a Spare Socket

Table 7

Vector Graphic Bitstreamer II Board

2.6 How to connect 20 mA current loop

Serial Channel C can be used for 20 mA current loop communication rather than RS-232C. To convert it, install a jumper connecting pad 1 and pad 2 in area G, found about 2 inches from the upper right-hand corner of the board. The current loop inputs and outputs are then connected to four of the six pins of the molex connector J6, in the upper right-hand corner of the board. Use only the first four pins from left to right. They have the following functions from left to right: + IN, - IN, + OUT, - OUT.

2.7 How to modify the board to generate interrupts

Before using this section, read over Sections 1.5, 1.9, and 1.10 in Perspective.

The three 8251 TxRDY pins, the three 8251 RxRDY pins, and the 55 Hz real time clock are accessed in jumper area A, as listed below: (Mask bit will be explained later.)

<u>Interrupt Source</u>	<u>Pad in Area A</u>	<u>Mask Bit</u>
Serial Channel A TxRDY	3	0
Serial Channel A RxRDY	6	1
Serial Channel B TxRDY	7	2
Serial Channel B RxRDY	4	3
Serial Channel C TxRDY	2	4
Serial Channel C RxRDY	5	5
55 Hz Real Time Clock	1	6
<u>PINT</u>	8	

Interrupt Jumper Pads and Mask Bits

Table 8

To cause one of the TxRDY, RxRDY, or real time clock lines to interrupt the processor, install a jumper between the appropriate pad in area A and pad 8 in area A. Pad 8 runs directly to the PINT line of the S-100 bus. To cause more than one TxRDY and/or RxRDY line to interrupt the processor, simply tie all desired pads together in area A and then tie them to pad 8. (For readers who understand digital electronics, this can be done because the 8251 interrupt sources are connected to area A via open collector gates.)

However, you CANNOT tie the real time clock to pad A-8 in combination with the 8251 interrupt sources. If you want to use the real time clock as

an interrupt, in combination with one or more of the 8251 interrupt sources, you have to "open collectorize" the real time clock line. In fact, you must open collectorize the real time clock line if ANY board in the computer is wired to generate interrupts, and you want to use the real time clock for interrupts. (In Vector Graphic computers, the Flashwriter board is often wired to generate interrupts.) To open collectorize the real time clock line, you will use one of the two spare open collector NAND gates, which are accessed in jumper area B. Tie a jumper from pad A-1 to pad B-1, install a small jumper from pad B-1 to B-2, and install a third jumper from B-3 to A-8. (This also inverts the clock signal, but this has no effect on the system.)

If you want to be able to software mask (enable and disable) the real time clock interrupt, then you have to do the following jumpering, even if the real time clock is the only interrupt: Tie a jumper from pin 10 of chip U-9 to pad B-2. Then, install jumpers from pad A-1 to B-1, and from B-3 to A-8, as in the preceding paragraph, but do not put a jumper between B-1 and B-2.

Important: If there is more than one Bitstreamer II board in the system, only one of them should generate real time clock interrupts.

The board requires that you software mask (enable and disable) the TxRDY and RxRDY interrupt sources that have been connected in area A. If you wired the real time clock interrupt to be software maskable, then naturally it too must be software masked. To mask the interrupts, you output a byte to Parallel Channel A, which is I/O address x8 (usually 08). This is the "interrupt masking register." The choice of enabled and disabled lines remains the same until the next time you send a byte to the interrupt masking register. Each bit corresponds to one interrupt source, as listed in Table 8. A 1 enables the corresponding interrupt source, and a 0 disables the source. It does not matter what you put in bit position 7, which is not used. For example, assume you have wired up all the interrupt sources. To enable only serial channel B TxRDY, serial channel C RxRDY, and the real time clock interrupt sources, output 64H to I/O address x8. 64 in hexadecimal notation equals 01100100 in binary, which has 1's in bit positions 2, 5, and 6 only (reading from the right, beginning with position 0). Outputting 7F to I/O address x8 enables all the interrupt sources.

Remember: if you are using any software maskable interrupts, the output side of Parallel Channel A cannot be used for any other purpose, because each time you send a byte to it, you will change which interrupts are enabled or disabled. You MUST initialize the interrupt masking register at the start of any program using these interrupts.

If you are using an 8080 CPU, the interrupt source is required to put a byte of data on the S-100 input data bus at about the same time the interrupt is sent. Specifically, it has to be put on the bus by the time the CPU activates the SINTA line in response to the interrupt. This byte of data has to be a single executable instruction, because the 8080 will execute it. Normally, it is one of the 8080 RST (restart) instructions, which cause the processor to call a program at a specific address determined

Vector Graphic Bitstreamer II Board

by which restart instruction is used. The following table lists the 8080 restart instructions, the machine code that has to be placed on the data bus, and where each one causes a call to. The last column has to do with how you make sure the restart instruction is put on the data bus at the right time. It is explained later.

8080 Restart Instruction	Machine code Equivalent	Causes Call to	Jumper L-1 to
RST 0	C7	0000H	---
RST 1	CF	0008H	---
RST 2	D7	0010H	---
RST 3	DF	0018H	L-4
RST 4	E7	0020H	---
RST 5	EF	0028H	---
RST 6	F7	0030H	L-5
RST 7	FF	0038H	nothing

8080 Restart Instructions and Jumpering

Table 9

If your CPU is a Z80, it is capable of emulating the 8080 interrupt scheme outlined above. This is called Z80 Interrupt Mode 0. The Z80 has two additional interrupt modes: Mode 1 and Mode 2. In Mode 1, nothing has to be placed on the data bus. Rather, the processor simply jumps to 0038H, the same as a RST 7 instruction. In Mode 2, as with Mode 0, a single byte of data must be placed on the data bus concurrently with the interrupt request. In Mode 2, this byte is called a "vector," which is used by the CPU to cause an indirect call to an address in memory. To accomplish this, software must be set up as follows: There must be a table of 16-bit starting addresses for every interrupt service routine. Each address in this table has to be arranged with low order byte first, followed by the high order byte. This table may be located anywhere in memory. When the CPU accepts an interrupt, it creates a 16-bit pointer which points to one of the addresses in this table, and then it calls the program at that address. The CPU creates this 16-bit pointer by combining the current contents of the I register, which becomes the upper 8 bits of the pointer, with the vector found on the data bus, which becomes the lower 8 bits. Therefore, the systems designer must make sure that the byte of data placed on the data bus matches the location in memory of the desired address in the table.

The Vector Graphic mnemonics used to specify which interrupt mode the Z80 is in are IM0, IM1, and IM2. The corresponding Zilog mnemonics are IM 0, IM 1, and IM 2. These instructions should be placed at the beginning of the program which will be interrupted, along with the EI (Enable Interrupts) instruction if desired. Note that when either an 8080 or Z80 accept an interrupt, the CPU automatically disables interrupts, until re-enabled by software.

The only issue left is how to specify what byte is placed on the data bus, if 8080, Z80 Mode 0, or Z80 Mode 2 interrupts are used. If you wish the byte to be FF (hexadecimal) then there is nothing more to do; leave the board as is. This works because the data bus is sensed as all 1's (thus FF in hexadecimal) if none of the lines are specifically set to 0. To generate a byte different than FF, the Bitstreamer II board allows you only to set one of the lines to 0; all others must be left as 1. First, install a jumper from the single pad in area M (which is SINTA) to pad B-5. Second, install a jumper from A-8 (which is PINT) to pin 11 of chip U21. (This uses one of the spare inverters on the board.) Third, install a jumper from pin 10 of chip U21 to pad B-4. (This uses one of the spare open collector NAND gates on the board.) Pad L-1 is the output of the NAND gate. Since PINT is inverted and NANDed with SINTA, L-1 will be low (0) only if both PINT and SINTA are active; that is, only if the board requested an interrupt and if the CPU accepted it. Last, install a jumper from L-1 to any of the pads L-2 to L-9. These pads are connected to the data bus. Thus if L-1 is low, it will pull one of the data bus lines low. The resulting byte generated on the data bus is given in the table below:

<u>Byte on Data Bus</u>	<u>L-1 is jumpered to</u>
FF	nothing
FE	L-9
FD	L-8
FB	L-3
F7	L-5
EF	L-2
DF	L-4
BF	L-6
7F	L-7

Data Bus Bytes Generated by Jumper in Area L

Table 10

Note that three of these bytes correspond to 8080 restart instructions. Therefore, those three restart instructions can be generated, as indicated in Table 9.

If there is more than one Bitstreamer II board in the computer, each can be jumpered to place a different byte on the data bus. If you do this, then software can determine which Bitstreamer II board is the source of the interrupt, since only the specific board which produced the interrupt can have an effect on the data bus (assuming you use the jumpering scheme recommended above). The byte on the data bus thus indicates which board it came from. If you are using Z80 Mode 2 interrupts, then you can generate up to 9 different vectors, and thus use up to 9 different Bitstreamer II boards whose interrupts can be separated in software. Note that in many Vector Graphic systems, the Flashwriter board is wired to generate interrupts, and does not alter the data bus. Thus the Flashwriter's characteristic

Vector Graphic Bitstreamer II Board

interrupt response byte is FF.

To determine the source of the interrupt within a Bitstreamer II board, software must poll potential interrupt sources on the board. If none of the 8251's are active, then the clock must be the source.

After the CPU responds to an interrupt by transferring control to the interrupt service routine, the source of the interrupt must be cleared before re-enabling interrupts with the EI instruction. To clear one of the 8251 interrupt sources, software must input from the I/O address of that 8251. The inputted byte does not have to be used by the software for any purpose. To clear the real time clock interrupt latch, software must input from Parallel Channel B. If a spurious interrupt is received, for which software cannot determine a source, it is a good idea to clear all potential interrupt sources.

The eight S-100 VI lines are available on the board for communicating interrupts to another board for prioritization or other kinds of processing before reaching the CPU. At this time, no Vector Graphic board is designed to make use of such signals. If you do make use of them on another board, you would not tie any of the pads in area A to pad A-8 ($\overline{\text{PINT}}$). Instead, jumper the desired pads in area A to the pads in area K. Each pad in area K corresponds to one of the VI lines VI0 to VI7, as follows:

<u>VI Line</u>	<u>Area K pad</u>
0	1
1	2
2	3
3	4
4	5
5	6
6	7
7	8

VI Lines Available in Area K

Table 11

2.8 Using the parallel channels

Review Section 1.11 in Perspective.

As shown in Table 2, Parallel Channel A is I/O address x8 (usually 08) and Parallel Channel B is I/O address x9 (usually 09). These channels can be used as is, without jumpering. You can interface to the 34-pin connectors J4 and J5 at the top of the board using the Bitstreamer II Parallel I/O cable supplied by Vector Graphic. This cable comes with no connector at the far end, enabling customization. J4 is Parallel Channel A and J5 is Parallel Channel B.

J4 and J5 34-pin connectors are numbered beginning with the front left-hand pin as number 1. The back left-hand pin is number 2. 3 and 4 are the next two pins to the right, and so on, with odd pin numbers in the front and even pin numbers in the back. The connector cable is set up so that the lines are numbered 1 to 34 from left to right. The functional definition of each line is as follows:

<u>J4, J5 pin</u>	<u>Function</u>	<u>J4, J5 Pin</u>	<u>Function</u>
1	D7 OUT	18	+12 VDC
2	D0 OUT	19	GND
3	D1 OUT	20	GND
4	D2 OUT	21	GND
5	D3 OUT	22	GND
6	D4 OUT	23	GND
7	D5 OUT	24	GND
8	D6 OUT	25	GND
9	—	26	GND
10	D3 IN	27	GND
11	D0 IN	28	GND
12	D1 IN	29	GND
13	D2 IN	30	GND
14	GND	31	+5 VDC
15	D7 IN	32	D4 IN
16	GND	33	D5 IN
17	-12 VDC	34	D6 IN

34-pin Connectors for Parallel Channels

Table 12

Input is not latched. Output is latched.

Remember: Parallel Channel A output is reserved for masking interrupts if such interrupts are used. Parallel Channel B input is used to clear the 55 Hz real time clock interrupt latch. To switch this function to Parallel Channel A, cut the trace leading to U4 pin 1, and jumper U4 pin 1 to U17 pin 3.

Vector Graphic Bitstreamer II Board

2.9 Spare chips and patch areas

Sockets U25 and U28 are large enough for 16-pin DIP's. None of the holes are connected to anything on the board, so that all wiring must be done using the adjacent jumper areas C and D for U25 and E and F for U28.

There are five unused inverters on the board, in chip U21. The functions of the pins are as follows:

<u>In</u>	<u>Out</u>
1	2
3	4
5	6
9	8
11	10

Spare Inverters in U21

Table 13

The last circuit, pins 10 and 11, should be reserved for inverting $\overline{\text{PINT}}$ as explained in Section 2.7, unless this function is not needed.

There are two unused open collector NAND gates, in chip U10. All the pins for these gates are accessible in jumper area B. Each of these gates can be used as an inverter, simply by tying the input to both of the input pins. Note that the output of the second gate is also available at pad L-1. These gates are used in various ways for wiring up interrupts, as explained in Section 2.7, but are otherwise available for the user.

<u>Function</u>	<u>Pad</u>
Gate 1 in	B-1
Gate 1 in	B-2
Gate 1 out	B-3
Gate 2 in	B-4
Gate 2 in	B-5
Gate 2 out	B-6 and L-1

Spare Open Collector NAND Gates in Chip U10

Table 14

There is a spare RS-232C line receiver and line driver circuit on the board. The receiver input pin is U26-1, and the output pin is U26-3. The driver input pin is U22-2 and the output pin is U22-3.

III. THEORY OF OPERATION

3.1 Serial channels

The heart of the serial I/O channels is the 8251 USART consisting of independent receiver and transmitter. The function of the transmitter is to accept eight bits of parallel data from the data bus, and convert this to serial data with a wide range of formats.

The speed at which data is output in asynchronous mode is controlled by a selectable clock rate derived from the 2 MHz system clock by counters U7, U2, U1, and U11. The clock rate is normally sixteen times the required baud rate (though this can be changed when the 8251 is initialized by software), so a frequency of 153.6 KHz is required for 9600 baud. This gives a frequency division ratio of 13.02, which is rounded to 13, relative to the 2 MHz clock. U7 forms a divide by 13 stage, and the gated terminal count at U14-8 can be selected by a DIP switch for 9600 baud. The other common baud rates, except for 110 baud, are obtained by successively dividing this frequency in half using U1 and U11, which are 74LS93 binary counters. The clock frequency for 110 baud is generated by dividing the frequency for 2400 baud by 22. The desired frequency is selected by a DIP switch for each serial channel, and applied to the TxC and RxC pins of the 8251.

The 8251 USART is designed to interface easily to an 8080 bus structure, and the control signals \overline{RD} , C/\overline{D} , \overline{CS} , and \overline{WR} are derived easily from the S-100 bus. Since the device was intended to be used with a bi-directional data bus, the S-100 split data bus is recombined as an internal data bus using tri-state bus drivers. EIA RS-232C line drivers and receivers interface the RxD and TxD output of the 8251 to the outside world. Discrete components are used to interface with 20 mA teletype signals.

3.2 Parallel input channels

To input data, the following signal conditions must be met: The lower eight address lines must contain the I/O address; SINP must be high, indicating an input machine cycle is occurring; PDBIN must be high, indicating that the data bus may be accessed by the board. The required signals are gated together through U8, U15, U19, U13, and U17 to produce two enable signals, one for Parallel Channel A and one for Parallel Channel B. These enable signals strobe the input data onto the data bus at the appropriate time using tri-state bus drivers.

3.3 Parallel output channels

Valid output data is present on the data bus during an output machine cycle when the following conditions are met: The lower eight address lines contain the I/O address; SOUT must be high, indicating an output machine cycle; \overline{PWR} must be low, indicating the data bus contains valid data. The appropriate signals are gated together through U8, U15, U19, U13, and U17 to produce two strobes, one for Parallel Channel A and one for Parallel Channel B. These strobes cause the data bus signals to be latched by LS75 quad latches U5, U9, U16, and U20. These outputs remain constant until the particular output channel is again accessed by the CPU.

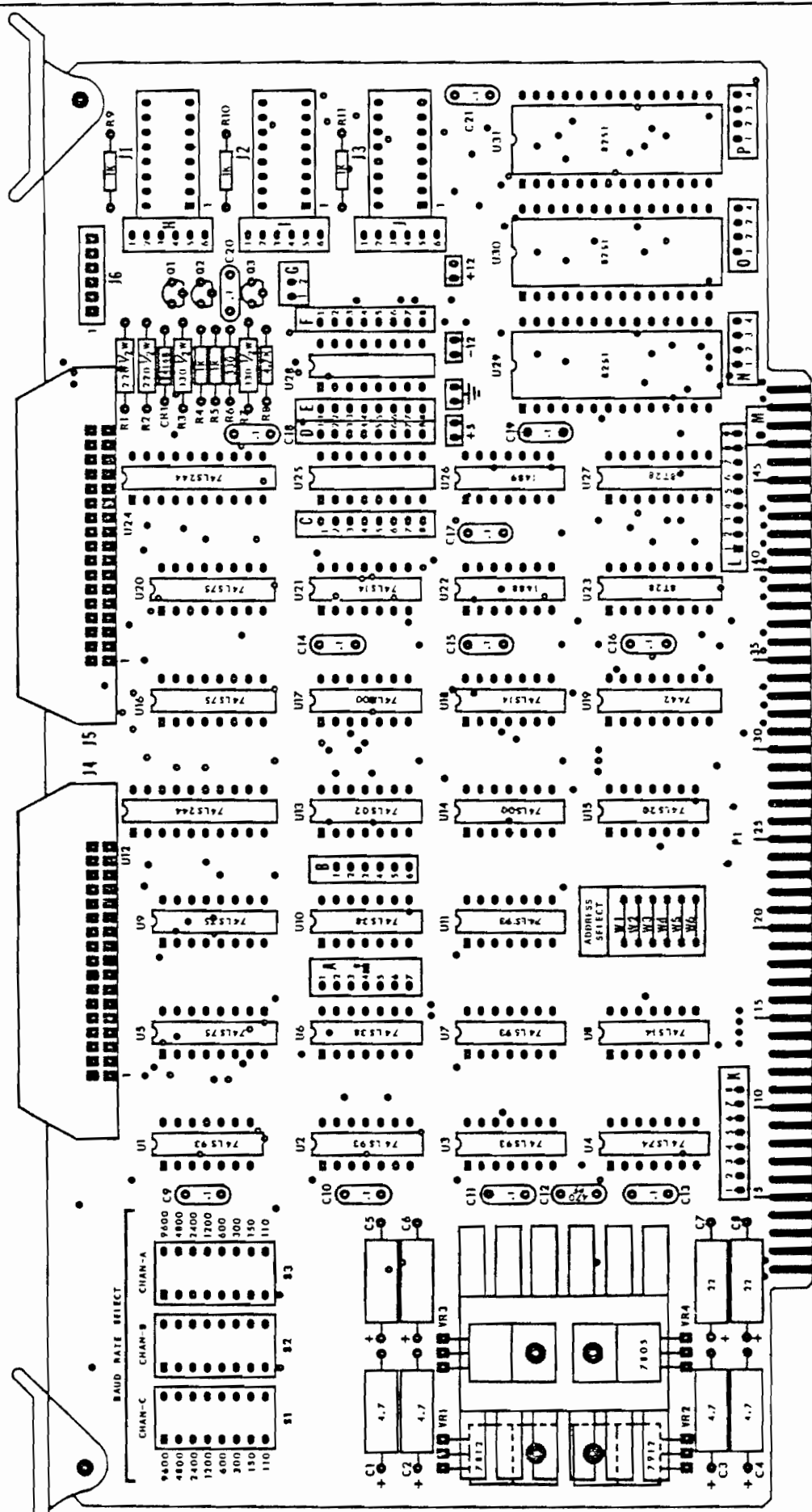
3.4 Interrupts

The TxRDY and RxRDY pins on the 8251's are each connected to one of the inputs of an open collector NAND gate in U6 or U10. The other input of each gate comes from one of the output bits of the quad latches in U5 and U9, which is the output side of Parallel Channel A. Thus, a 1 bit must be latched into a specific bit in the output side of Parallel Channel A in order for the corresponding TxRDY or RxRDY to emerge (inverted) on the other side of the NAND gate. Open collector gates are used so that the various interrupt signals can be "wire OR'ed" together, that is, simply wired as a group to the \overline{PINT} line, without blowing each other out. The nature of an open collector gate is that if the output is not low, then it is simply open, and has to be pulled up. \overline{PINT} is pulled up in the CPU, so that an open (i.e. floating) signal into it is treated as high by the CPU.

The 55 Hz real time clock is created by dividing the 110 baud clock rate signal (which is a 16 x 110 pulses/second signal) by 16, in binary counter U3, and then dividing it in half again with a flip-flop in U4. Another flip-flop in U4 then latches the clock pulse, whose output goes to jumper area A, pad 1. The clock latch is reset by an input request issued by the CPU to Parallel Channel B, since the input enable signal from U17-11 is connected to the flip-flop CLR pin U4-1. Notice that the clock latch output is not open collector, so that as is, it cannot be wired together with any other interrupt signal.

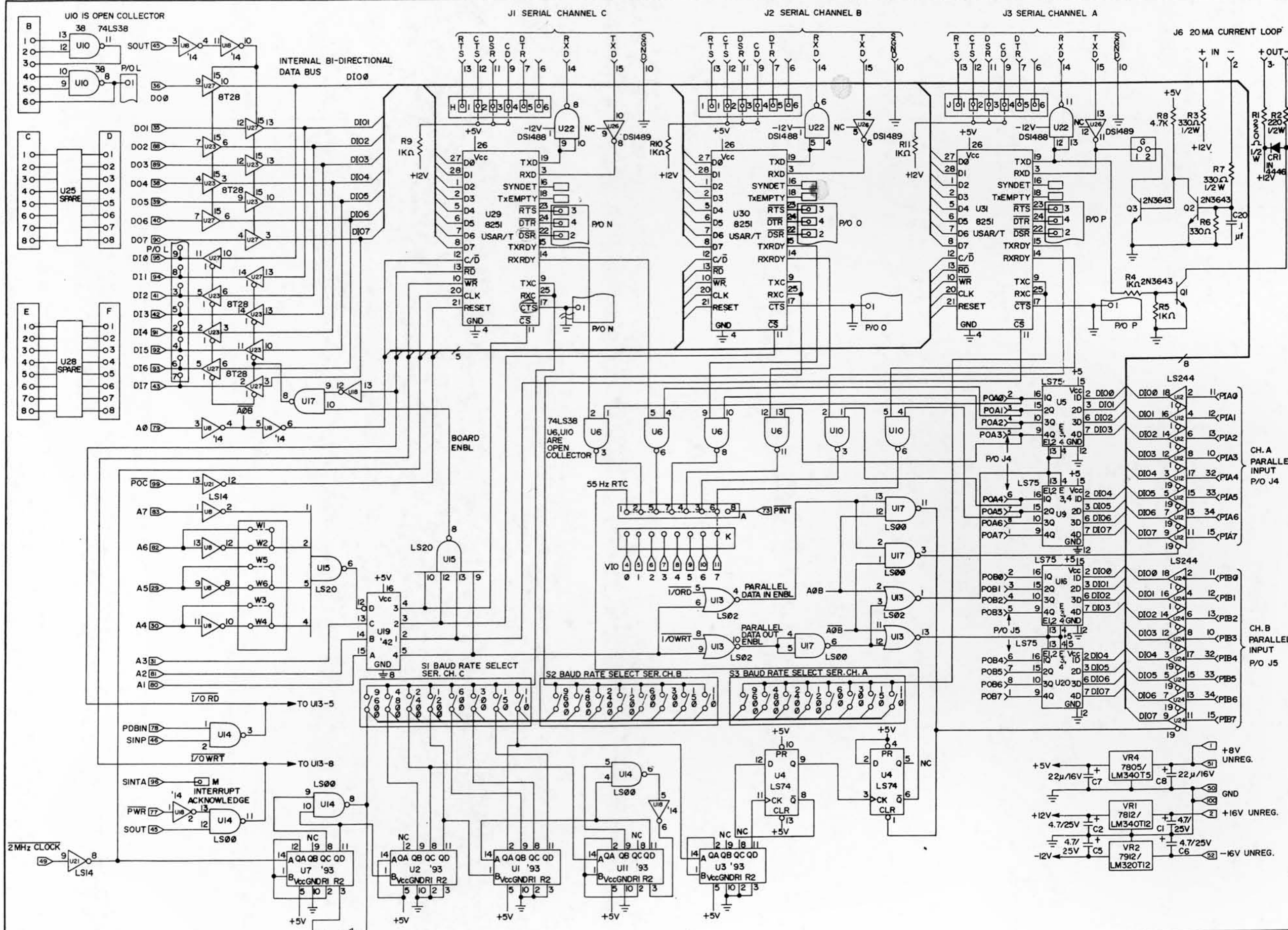
SCHEMATIC ERRATA

1. The pads in jumper area K (shown as small circles within area K) should be numbered 1 to 8 from the left. There are no numbers next to these small circles now, at all. Just below area K, "VIO" should read "VI" instead. Note that the numbers below the bus connectors shown below area K correspond to the names of the VI lines in the S-100 bus, and they are correct as shown.
2. The dotted lines in jumper area A and connecting pad A-8 to pad K-8 should not be there, because no jumpers are in the factory configuration.



NOTES:
 1. CAPACITOR VALUES IN MICRO FARADS
 2. RESISTOR VALUES IN OHMS
 3. TRANSISTORS ARE 2N3643

TOWN BY	ARTMASTER	VECTOR GRAPHIC INC
DESIGN SERVICES	31364 VIA COINAS	WESTLAK VILLAGE CA 91361
CKD BY	TITIF	
APP BY	BILL STEWART II	
SHEET	OF	
DWG NO	ASSEMBLY DRAWING	
SUBSCRIPT		
REV.		0



VECTOR GRAPHIC
 BITSTREAMER II
 REV I 9-1-79