

EXPLORER 85

LEVEL E ASSEMBLY MANUAL

COPYRIGHT © 1979

BY NETRONICS RESEARCH AND DEVELOPMENT LTD.

RT.202 NEW MILFORD, CT 06776

ALL RIGHTS RESERVED

SPECIFICATIONS

Level E provides the sockets, power supply regulation, filtering and decoupling components allowing the use of up to 8K of 2716 EPROMS. Jumpers have been included to use these sockets for RAM. MEMR and MEMW signals are available for this purpose. Consult the RAM specification sheets if you wish to use these sockets for RAM. Level E requires Level B as well as +8VDC @ 700 MA (unregulated).

Check your kit against the following parts list:

<u>DESCRIPTION</u>	<u>QUANTITY</u>
24 Pin IC Socket	4
.01 Disc Capacitor	4
10 uF Electrolytic Capacitor	1
Regulator LM 340T-5 (or 7805)	1
Heat Sink	1
Screw 6-32 x 3/8"	1
Nut 6-32	1
Schematic & Parts layout information	1

ASSEMBLY INSTRUCTIONS

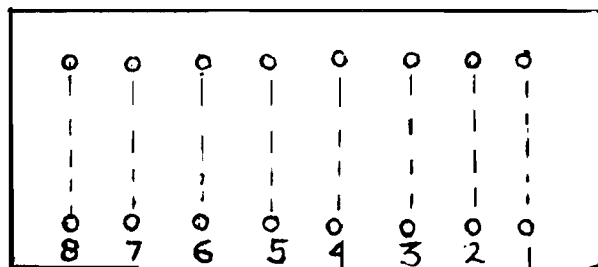
- (1) 1. Install 24 pin Sockets in locations U300, 301, 302, 303 (Solder)
- (2) 2. Install the 5Volt regulator (LM 340T-5 or 7805) in location Q301. Position the Heat Sink as shown. Secure with 6-32 screw & nut.
- (3) 3. Install 10uF capacitor in location C301, note polarity (Solder)
- (4) 4. Install .01 Disc Capacitors in locations C302-305. (Solder)
(Save excess leads on capacitors for jumpers in Step 5.)
- (5) 5. If you are installing 2716 EPROMS, connect a jumper between terminals A & C on S12, 13, 14, & 15. If you are installing RAMS or other EPROMS, consult the applicable spec sheets.
- (6) 6. The Following chart describes the address selection jumpers required in position SW200. The Address selections are valid in 8K Blocks. An optional 6 or 8 position dip switch may be installed at location S200 if these addresses are to be modified frequently.

1,4,5

NOTE: POWER MUST BE DISCONNECTED WHEN CHANGING ADDRESS SELECTOR SWITCH

SW200 JUMPERS

<u>ADDRESS (8K Block)</u>	8	7	6	5	4	3	2	1
0000-1FFF	-	-	IN	-	-	IN	-	IN
2000-3FFF	-	-	IN	-	-	IN	IN	-
4000-5FFF	-	-	IN	-	IN	-	-	IN
6000-7FFF	-	-	IN	-	IN	-	IN	-
8000-9FFF	-	-	-	IN	-	IN	-	IN
A000-BFFF	-	-	-	IN	-	IN	IN	-
C000-DFFF	-	-	-	IN	IN	-	-	IN
E000-FFFF	NOT VALID-USED FOR SYSTEM ROM							



SW200

WARRANTY: All components of this kit are warranted for six months from the date of shipment. Defective components will be replaced free of charge if returned within six months with \$1.00 each to cover testing and return postage. Return parts in a suitable package and ship insured to Netronics Research & Development Limited Route 202, New Milford, Connecticut 06776, attention: Service Department, with a letter explaining the defect. Any parts received damaged due to poor packaging will be returned. (i.e., DO NOT ship IC's in envelopes via the mail).

IN CASE OF DIFFICULTY: After having carefully checked your work and you still have difficulty getting your Explorer to work, the Factory Service Department will repair, fully test, and return your system for a flat fee (see below). This covers all parts, except parts destroyed by your negligence, (i.e., IC's installed backwards, broken, etc.), and return postage. Package the unit (less cabinet) carefully and return insured with a letter describing the difficulty.

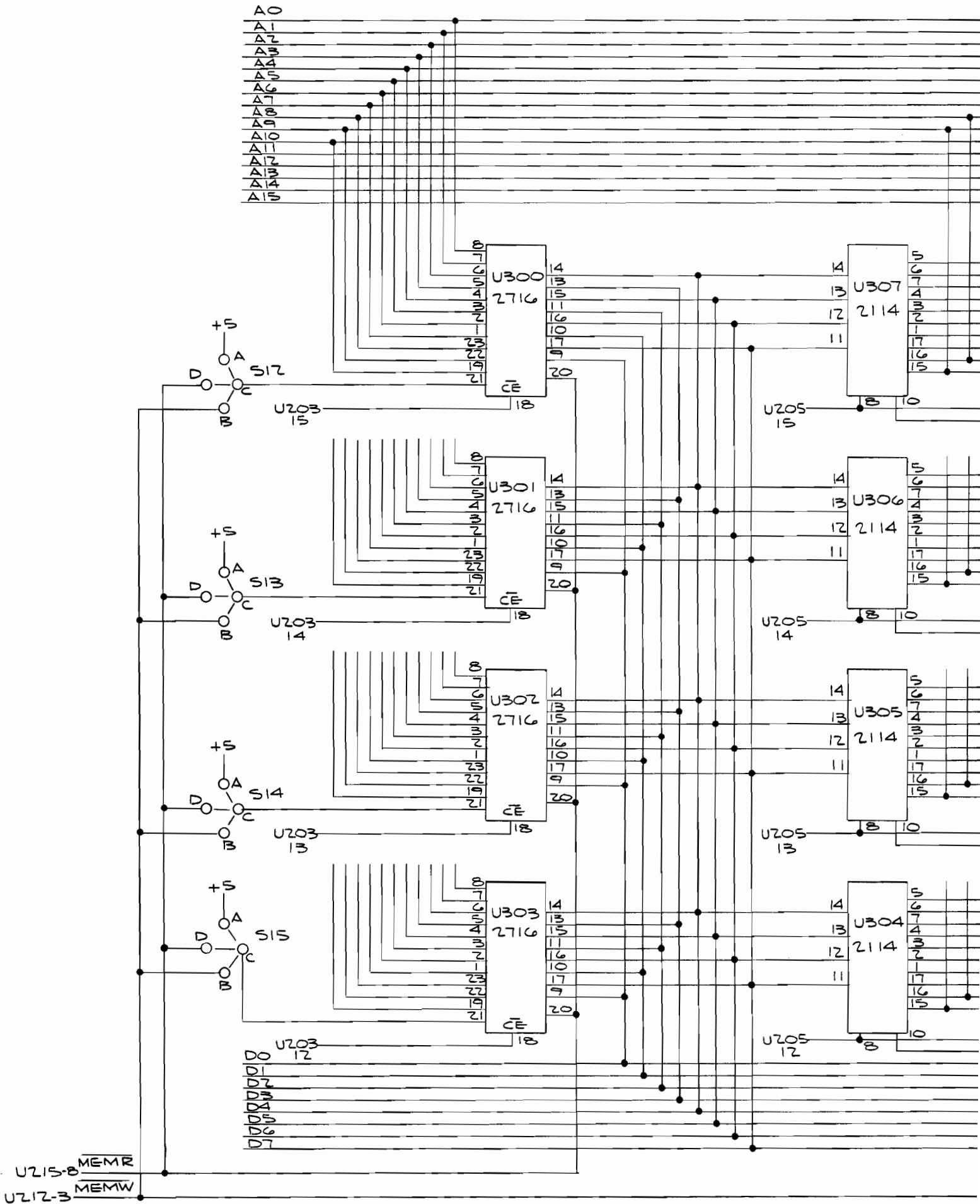
If your system includes other level components, please see the instruction book for fees which apply to the further expanded systems. If any components are added which are not part of a Netronics kit you will be advised of the service charge prior to any work being done. If you have added any "Levels" to your system (using your own parts) it would be advisable to purchase the appropriate assembly manual, which will contain any factory modifications or updates, prior to returning your unit.

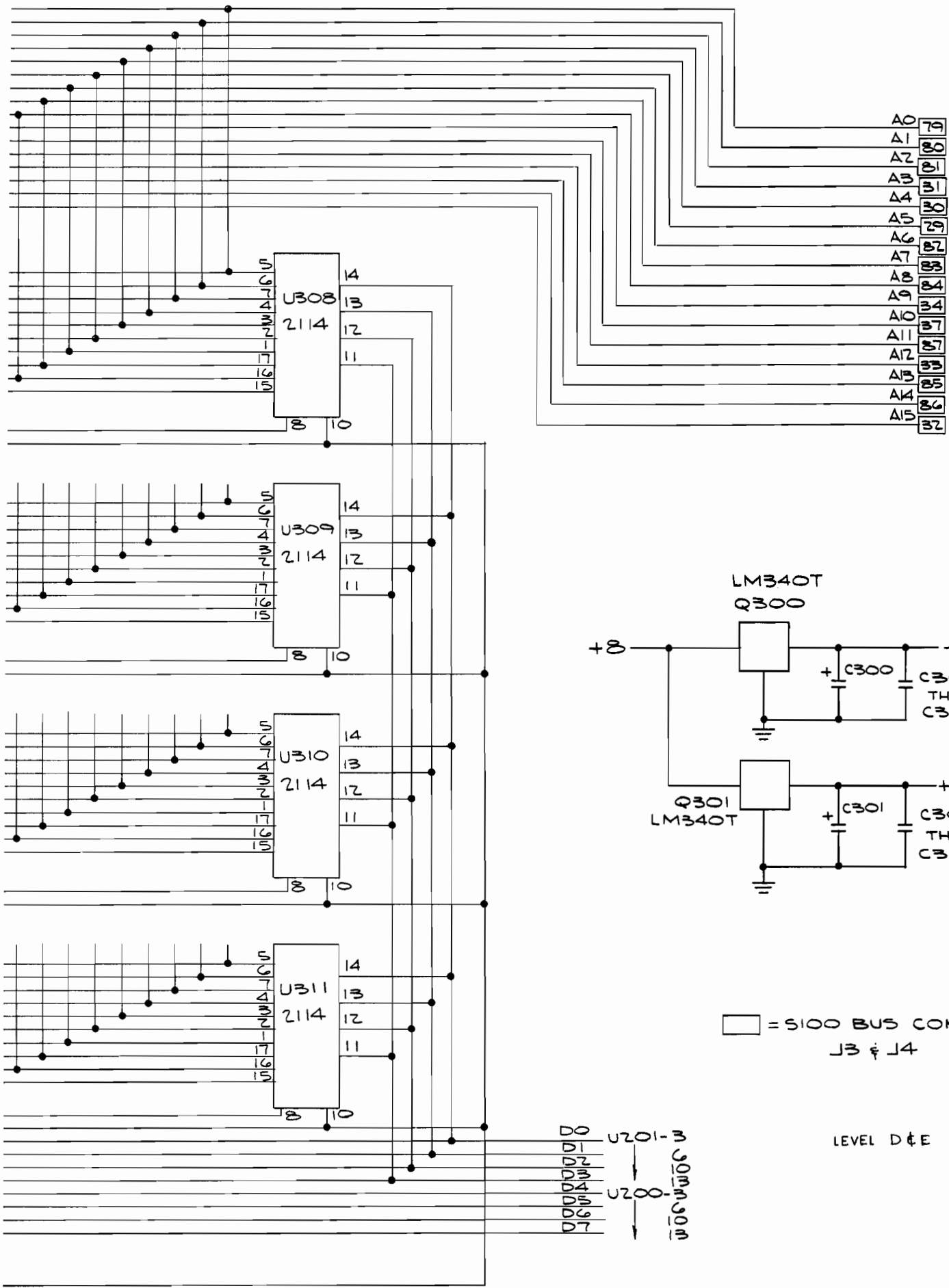
SCHEDULE OF IN WARRANTY FACTORY TROUBLE SHOOTING PRICES*

Level A	\$12.50	Flat Fee
Hex Keypad/Display	7.00	" "
Level A & B	16.50	" "
Level A & B & D and/or E	20.00	" "
Power Supply	6.50	" "
ASCII Keyboard	7.00	" "
Video Display Board	9.50	" "

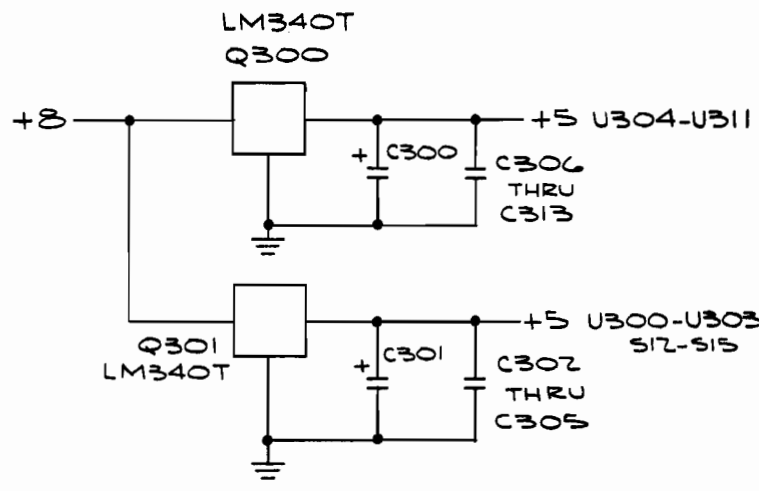
*Covers cost of all parts except those destroyed by the customer.

These prices are not valid for levels added using parts not obtained from Netronics. If you have parts not supplied by Netronics, send your unit and ask for a quotation.





- A0 79
- A1 80
- A2 81
- A3 82
- A4 83
- A5 84
- A6 85
- A7 86
- A8 87
- A9 88
- A10 89
- A11 90
- A12 91
- A13 92
- A14 93
- A15 94



□ = 5100 BUS CONN.
J3 & J4

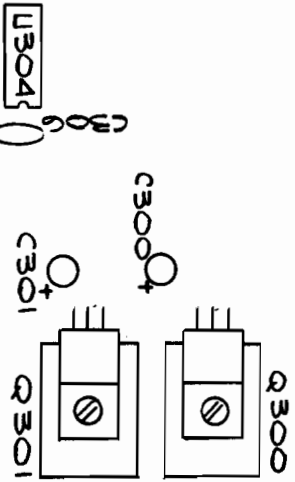
LEVEL D & E

U201-
U202-
U203-
U204-
U205-
U206-
U207-
U208-

GND -8 +8

SW200
87654321

SW201
87654321



U304
U305
U306
U307
U308
U309
U310
U311

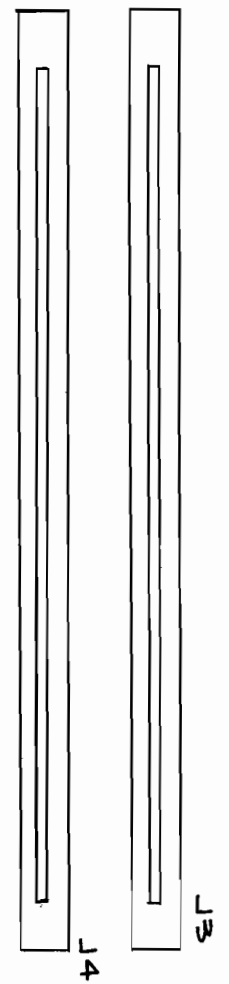
U300
MICROSOFT
ROMS
C000 - DFFF

U301
C800
A
S12
C00B
S13

U302
D000
A
S14
C00B
S15

U303
D800
A
S15
C00B
S15

LEVEL'S DFE ASSEMBLY DWG



-16 +16 +8 GND

REV C-1

AC IN