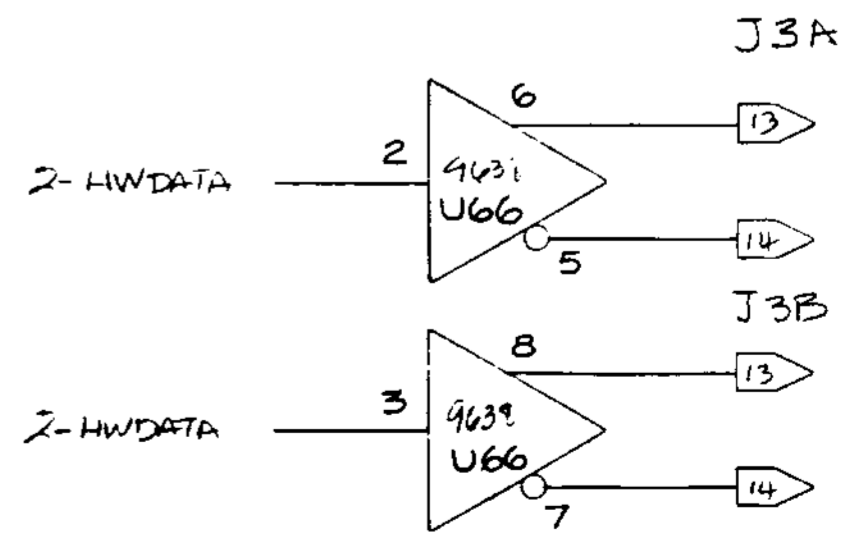
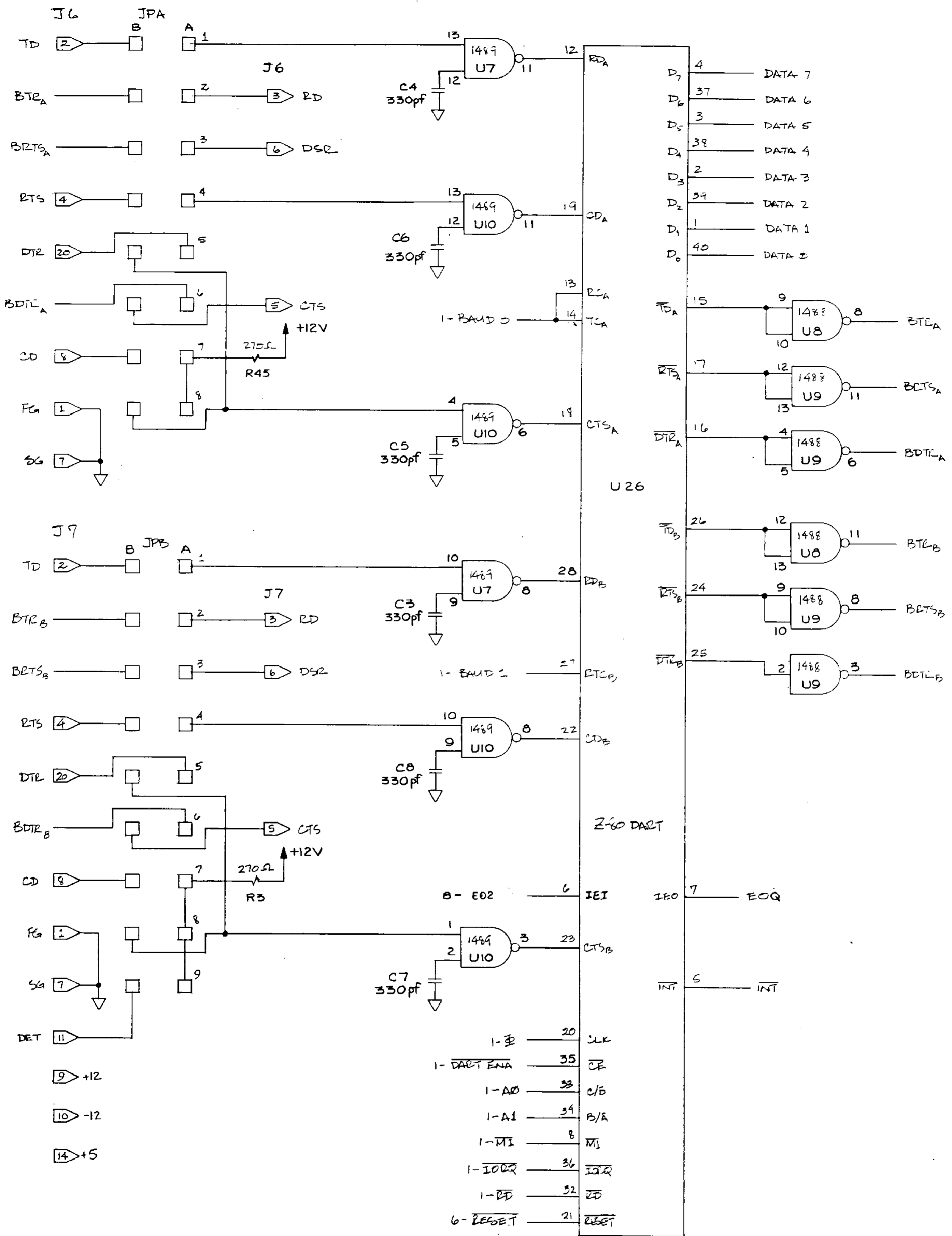
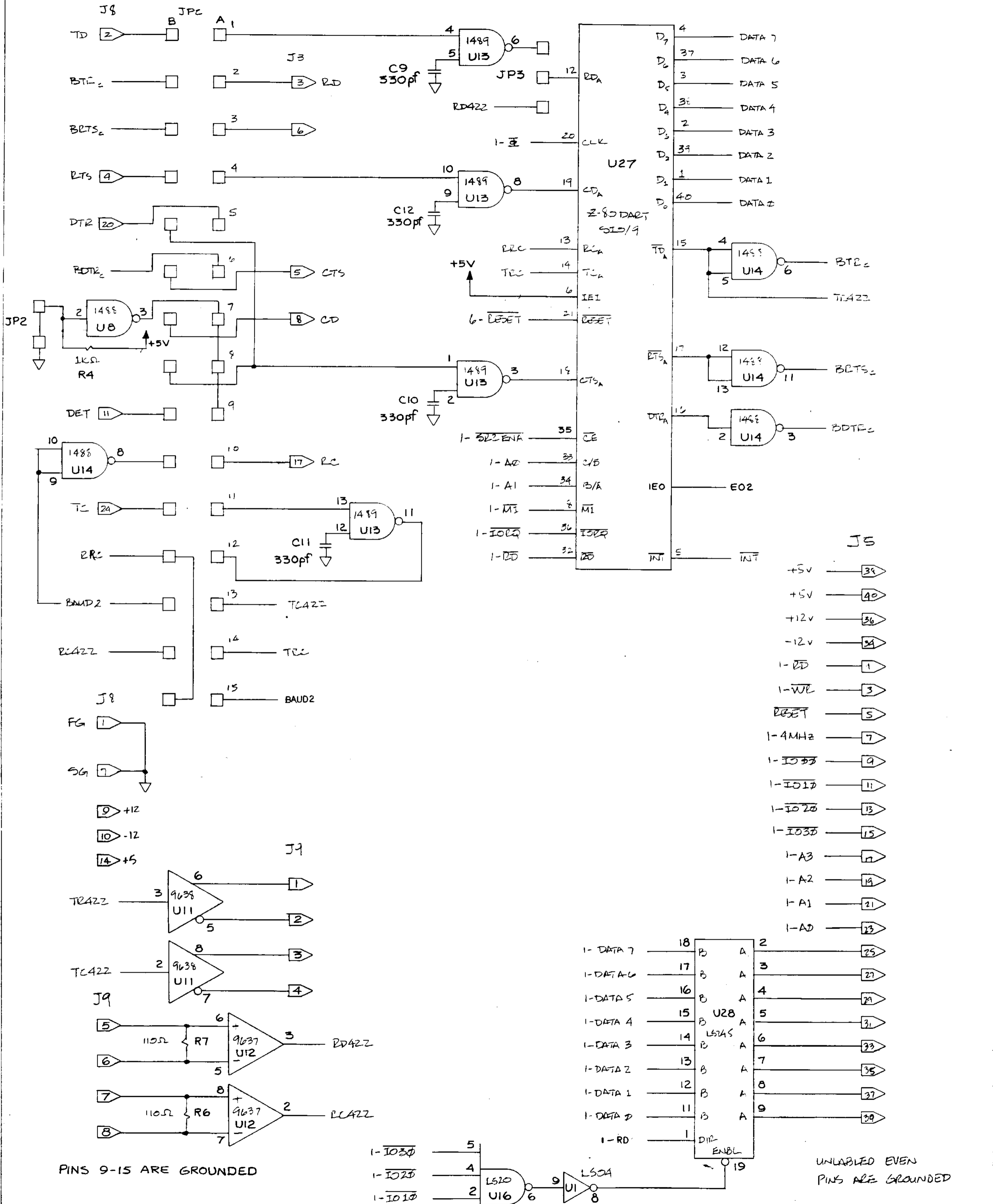


ODD NUMBERED PINS ON J1 AND J2 ARE GROUND



PINS 2,4,6,8,12,16,20,11,19 ARE GROUND ON BOTH J3A AND J3B





PINS 9-15 ARE GROUNDDED

UNLABELED EVEN PINS ARE GROUNDDED