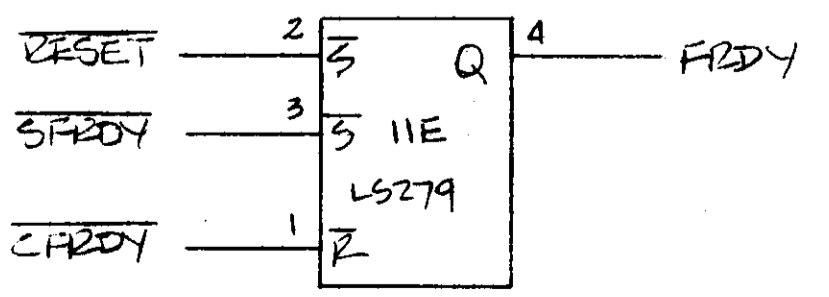
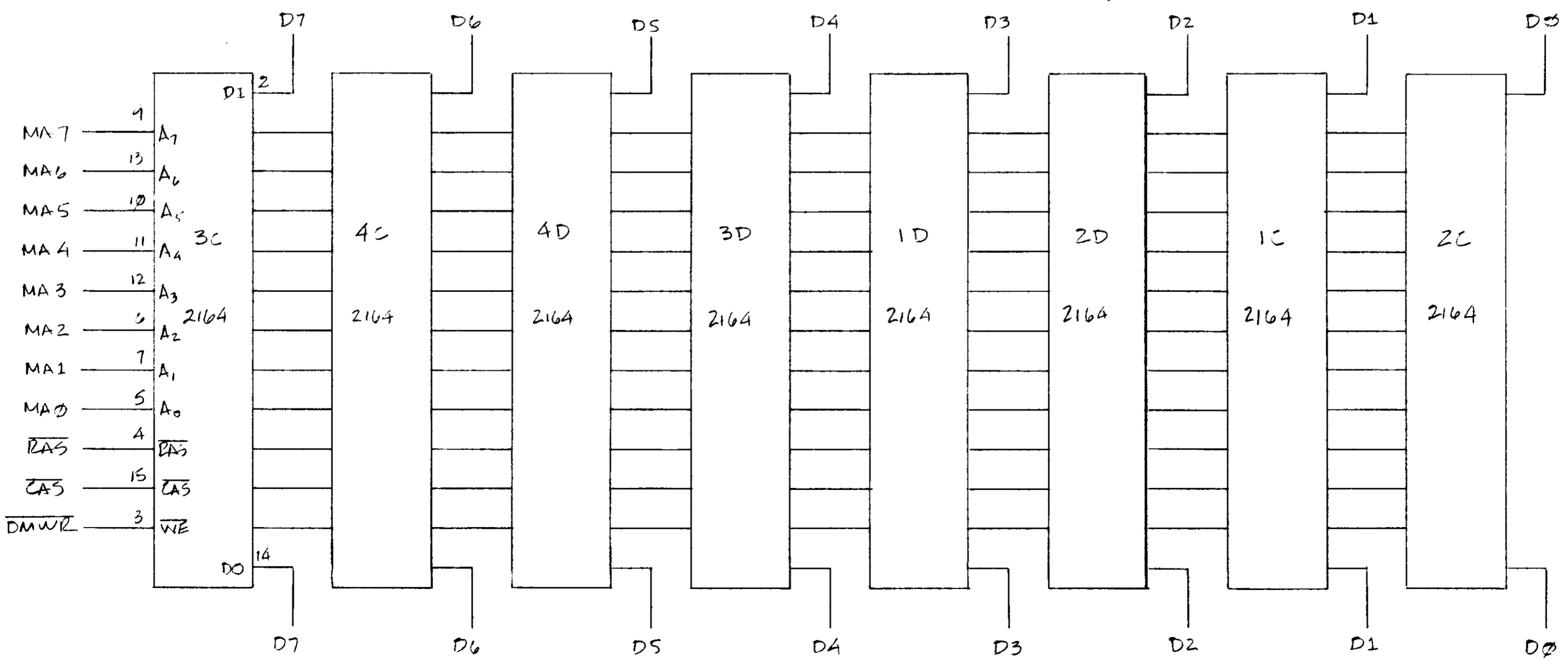
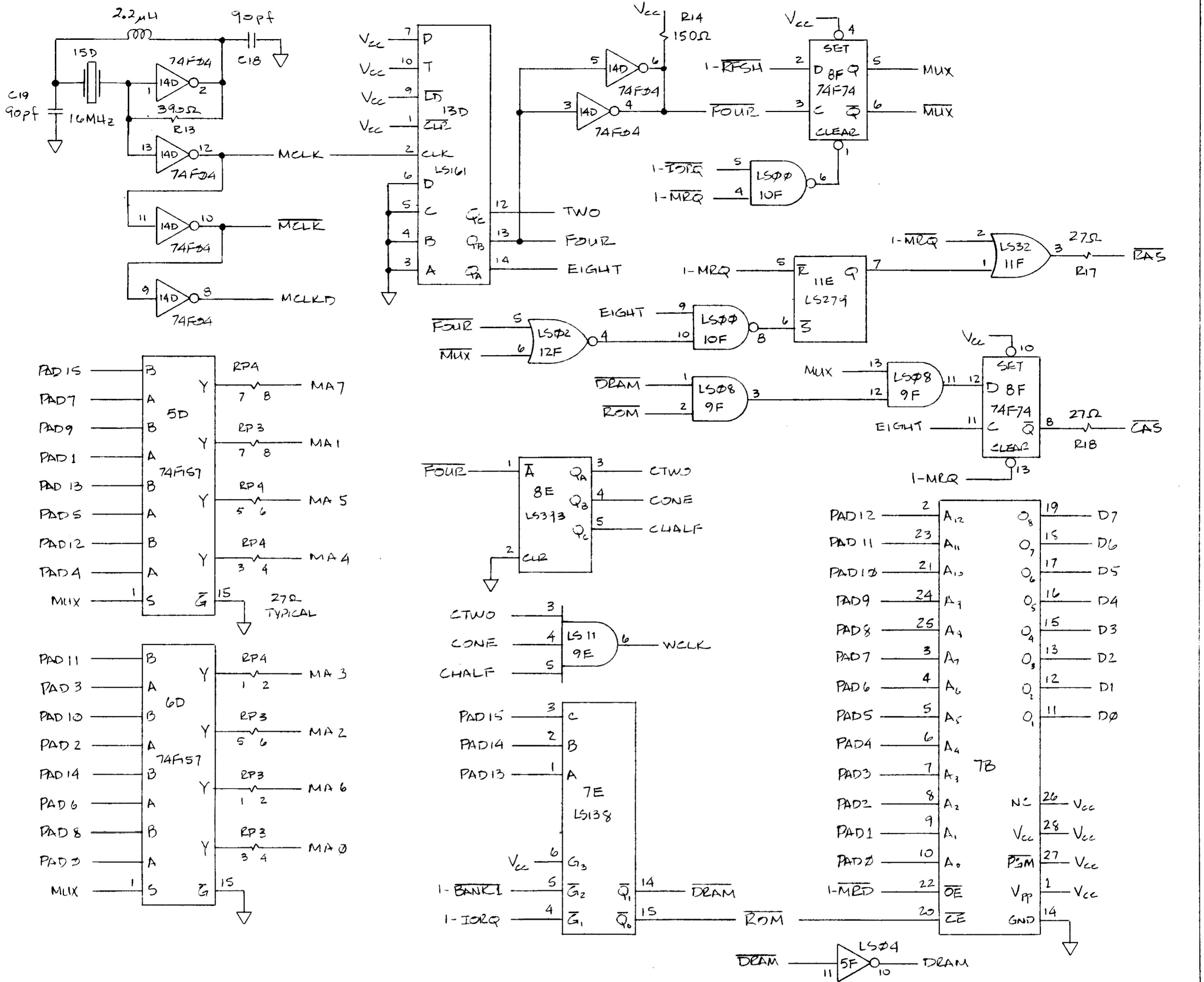


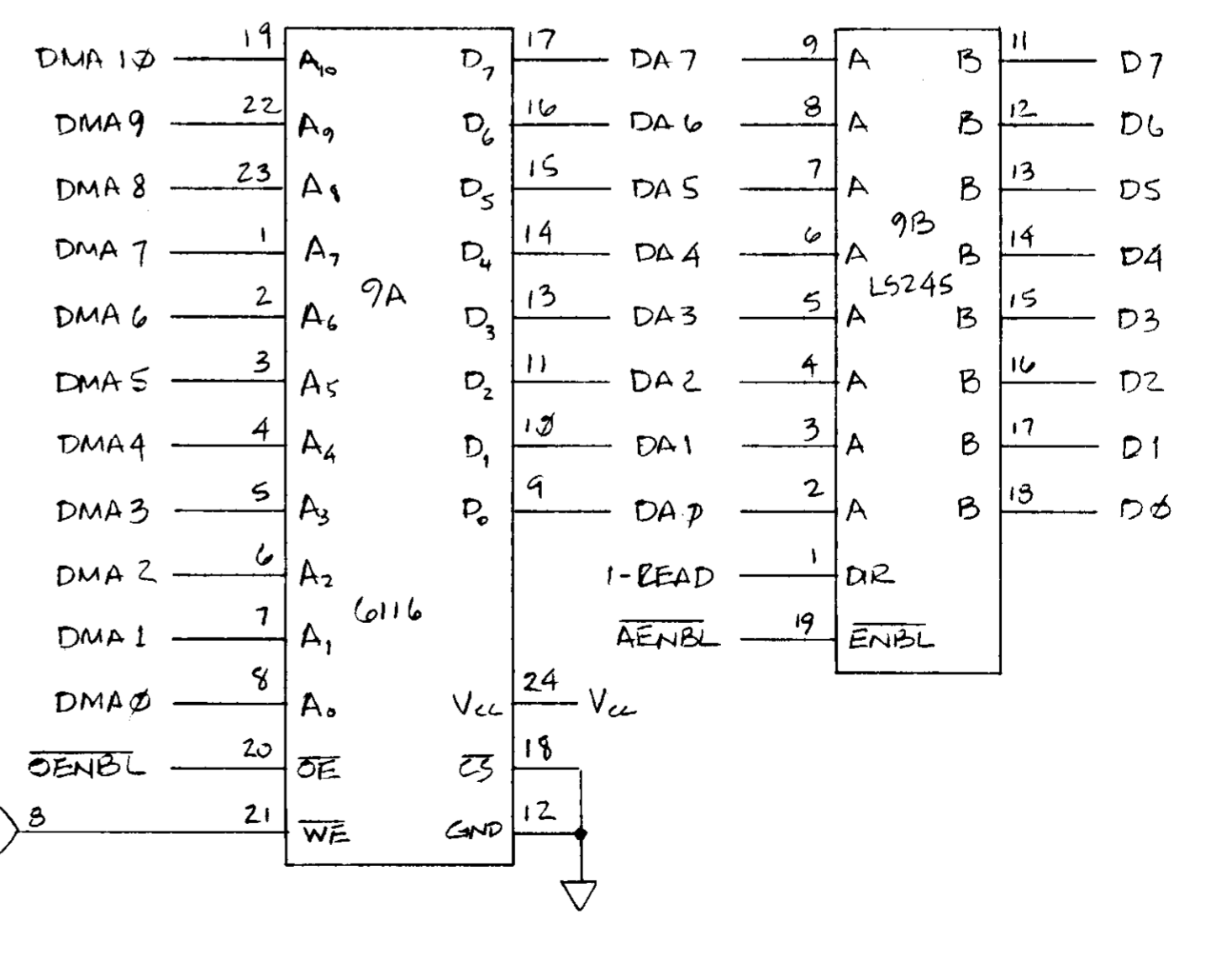
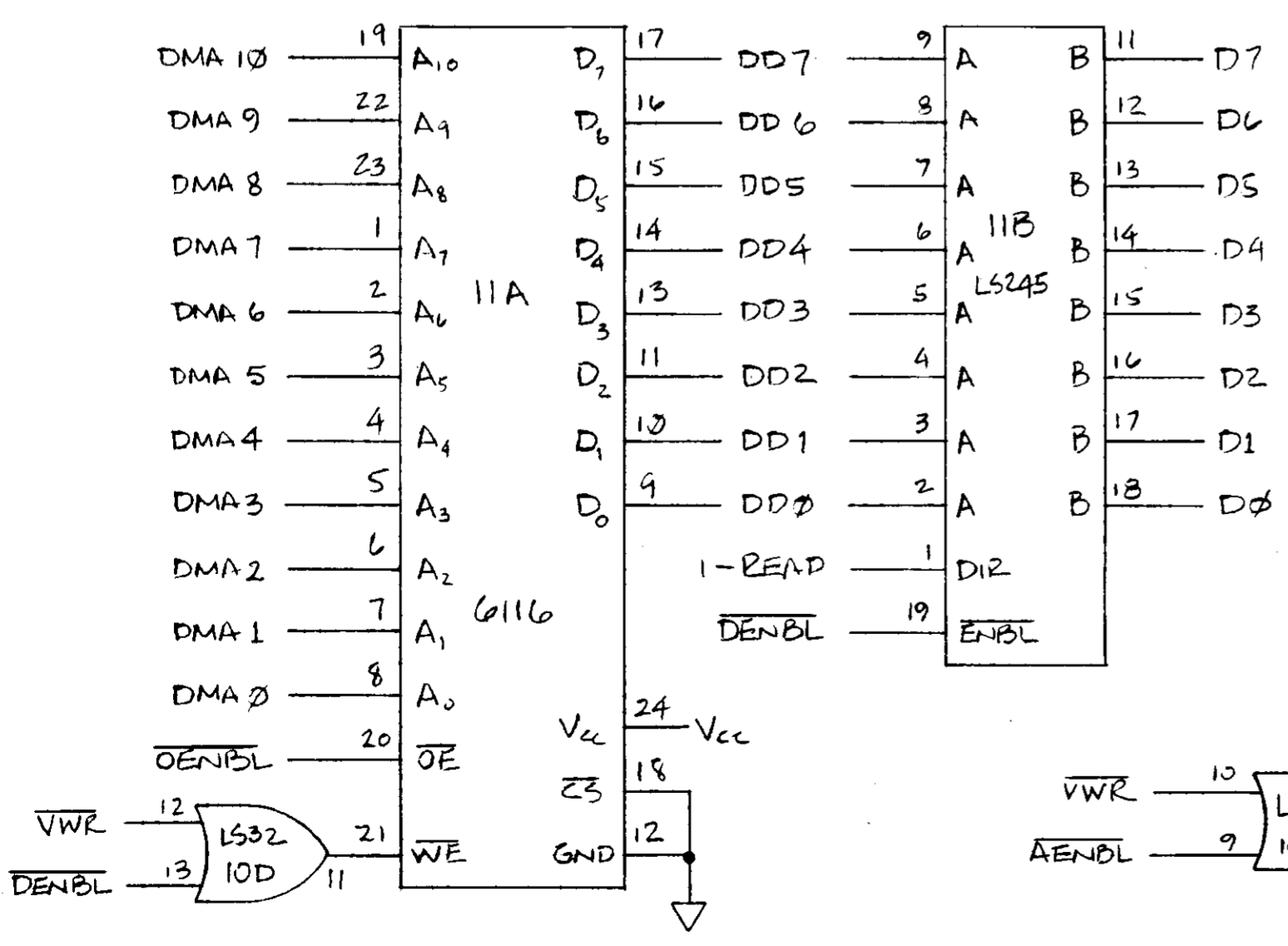
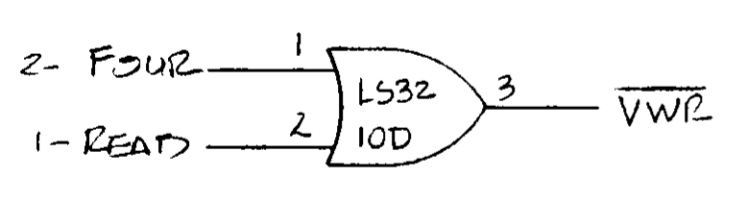
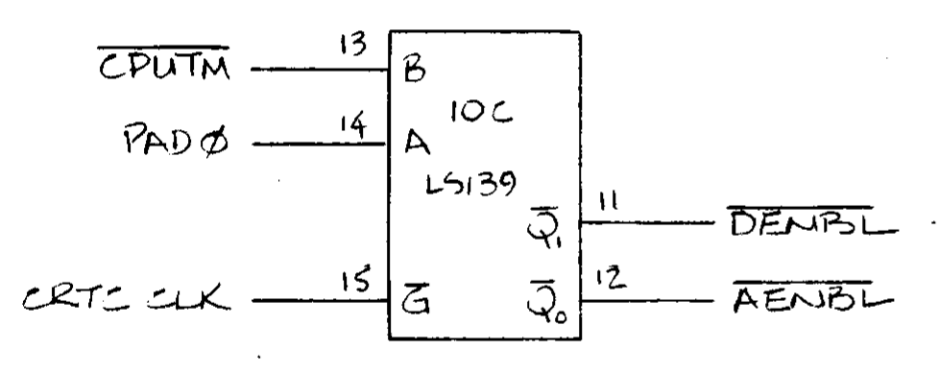
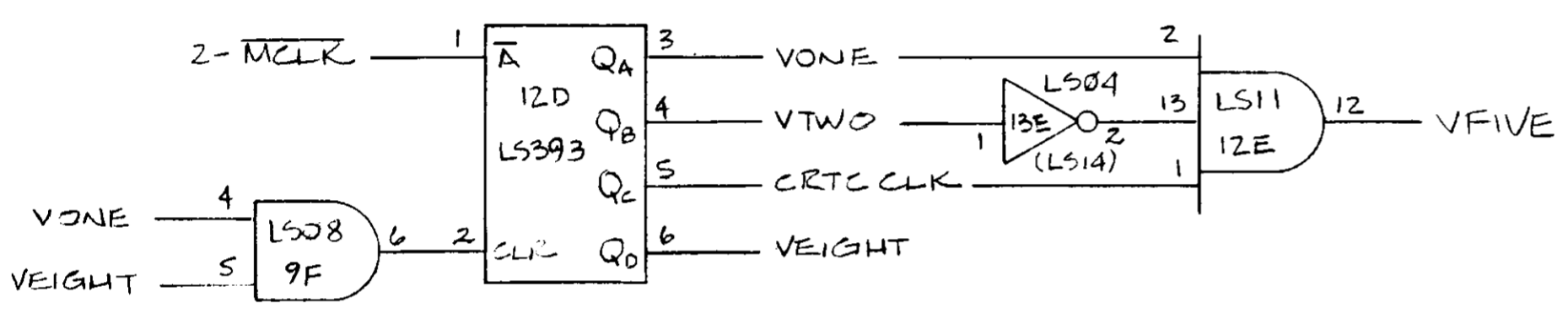
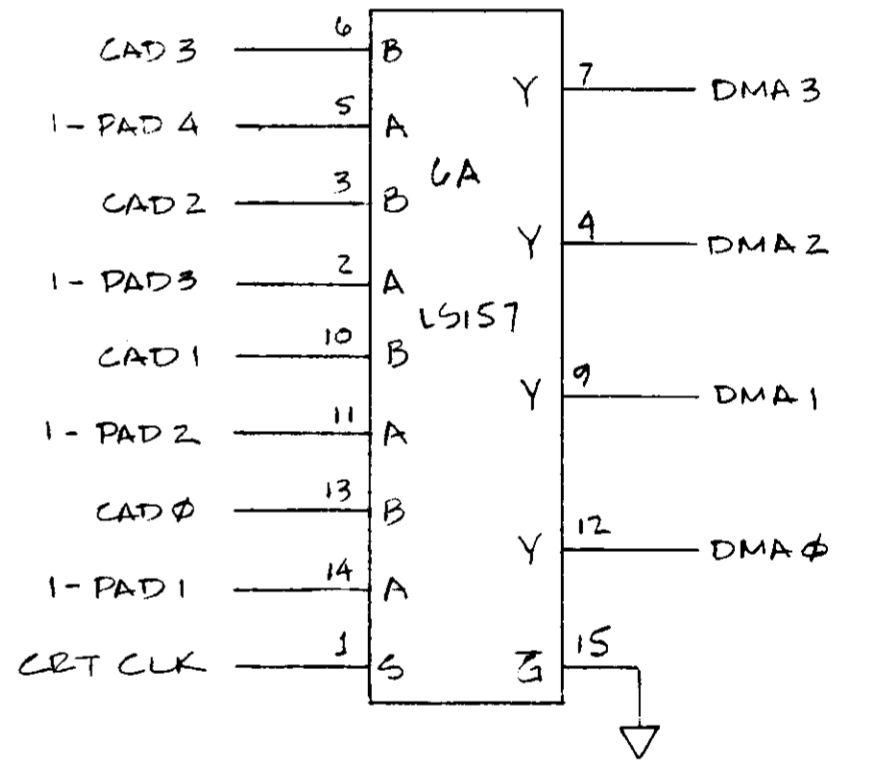
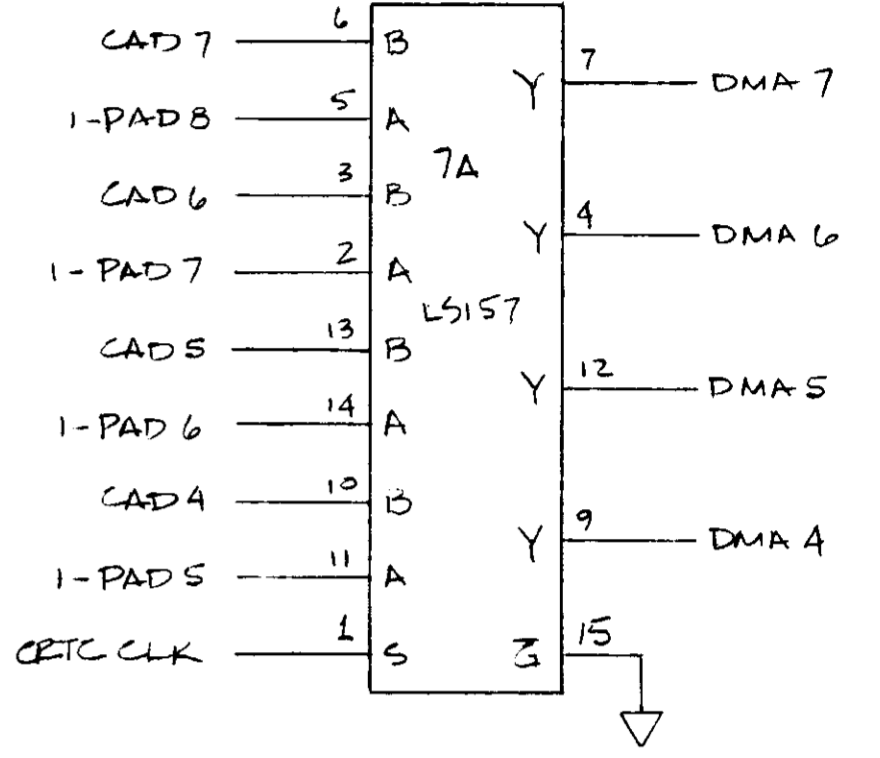
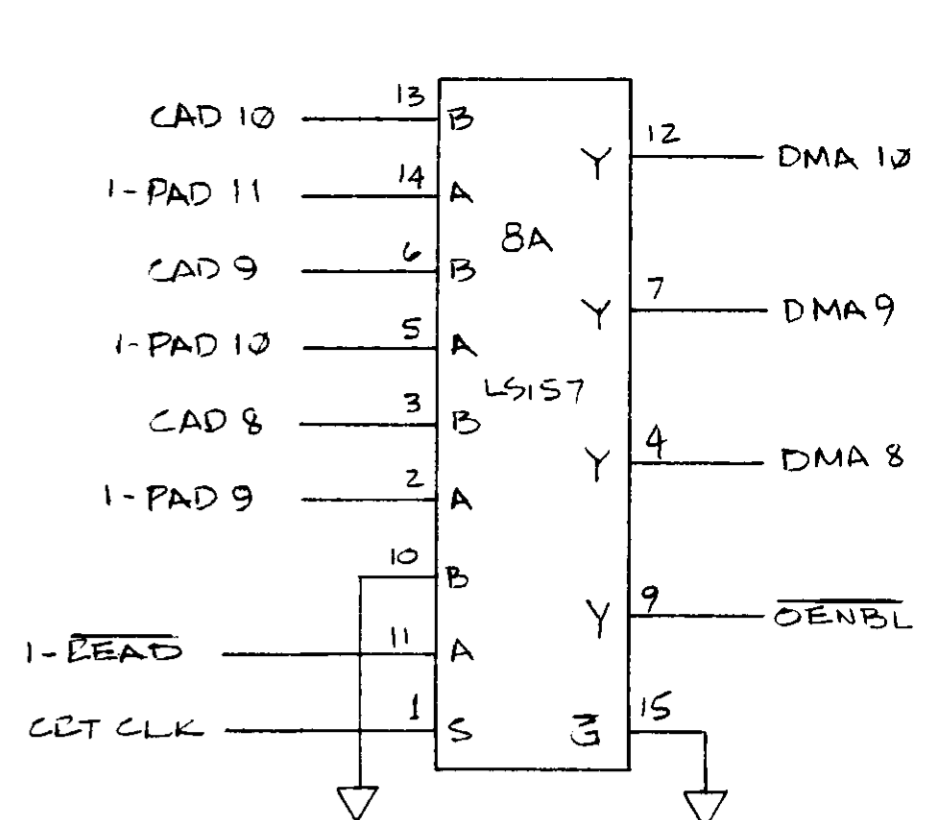
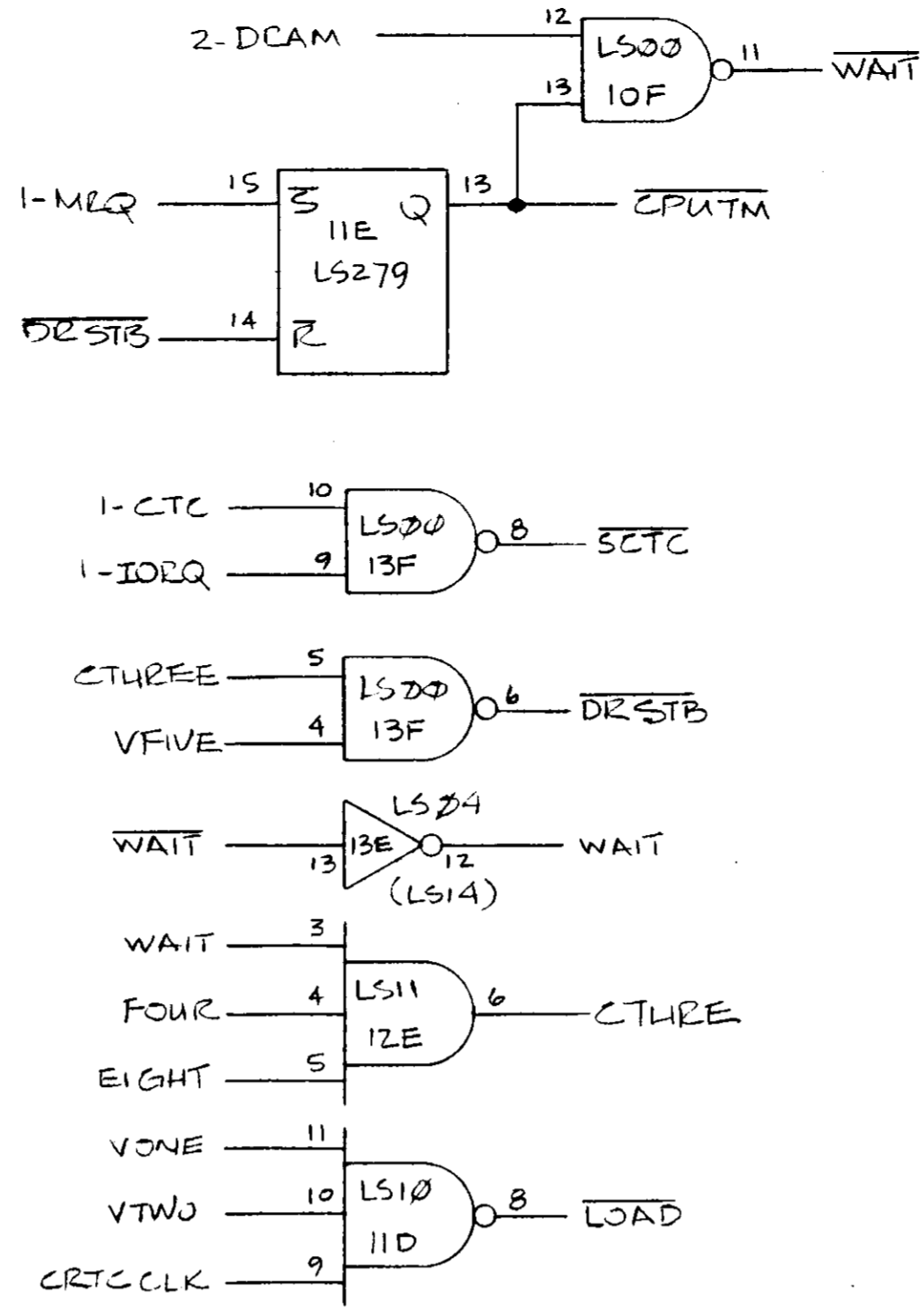
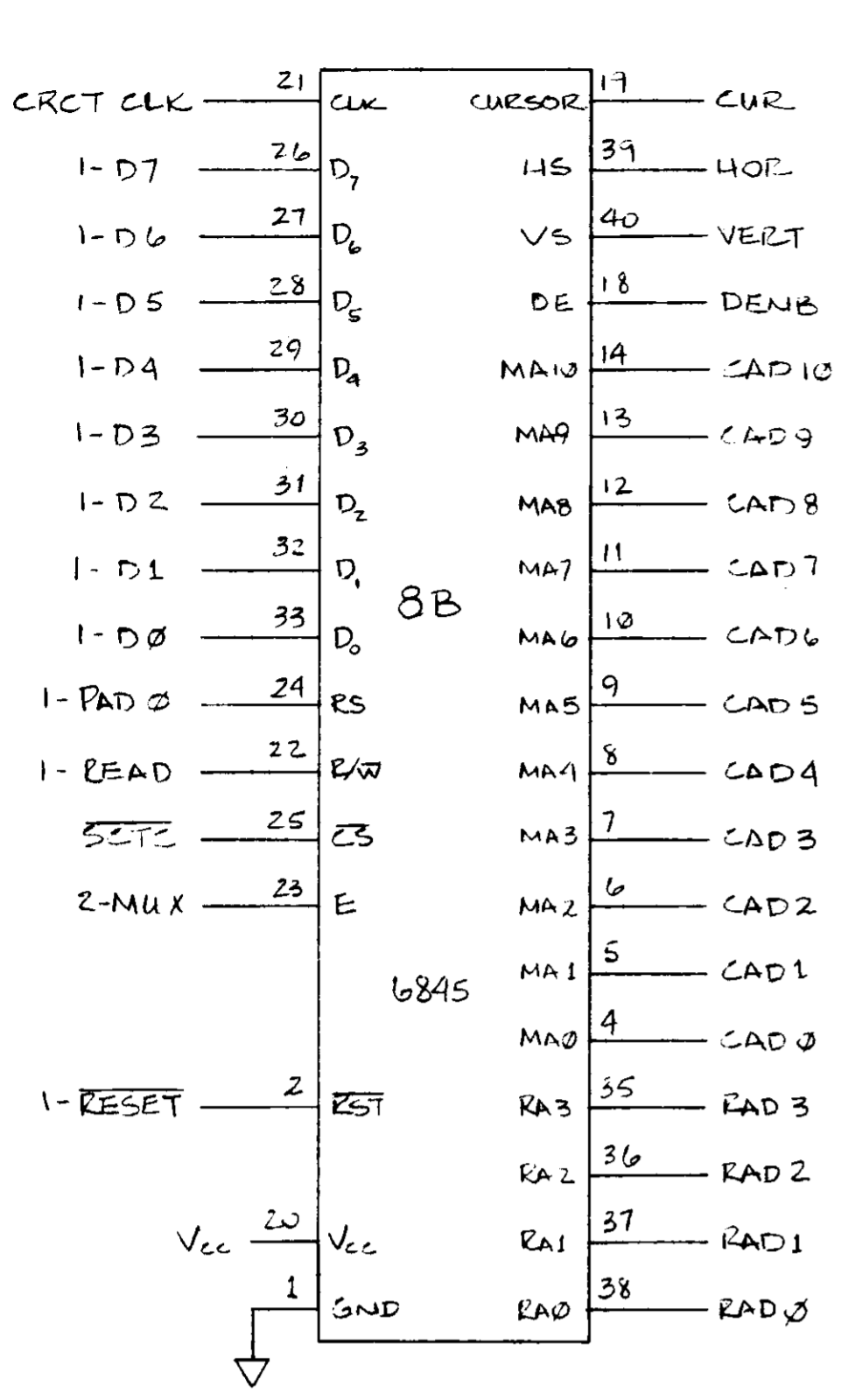
NOTE:
 EVEN PINS 2 THROUGH
 24 AND PIN 34 ARE
 GROUNDED ON P4
 ALL OTHER UNLABELED
 PINS ARE TO BE
 LEFT OPEN ON P4

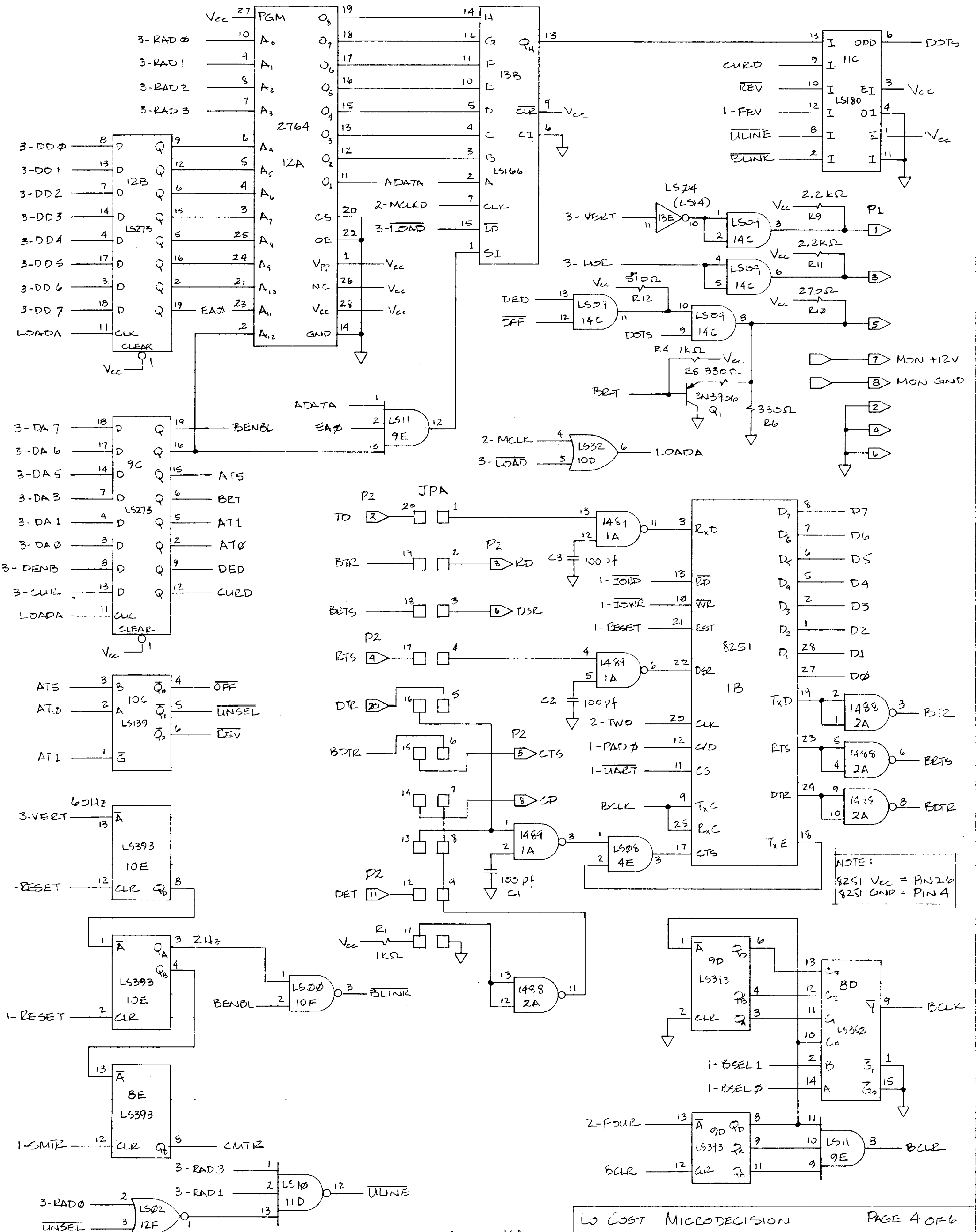




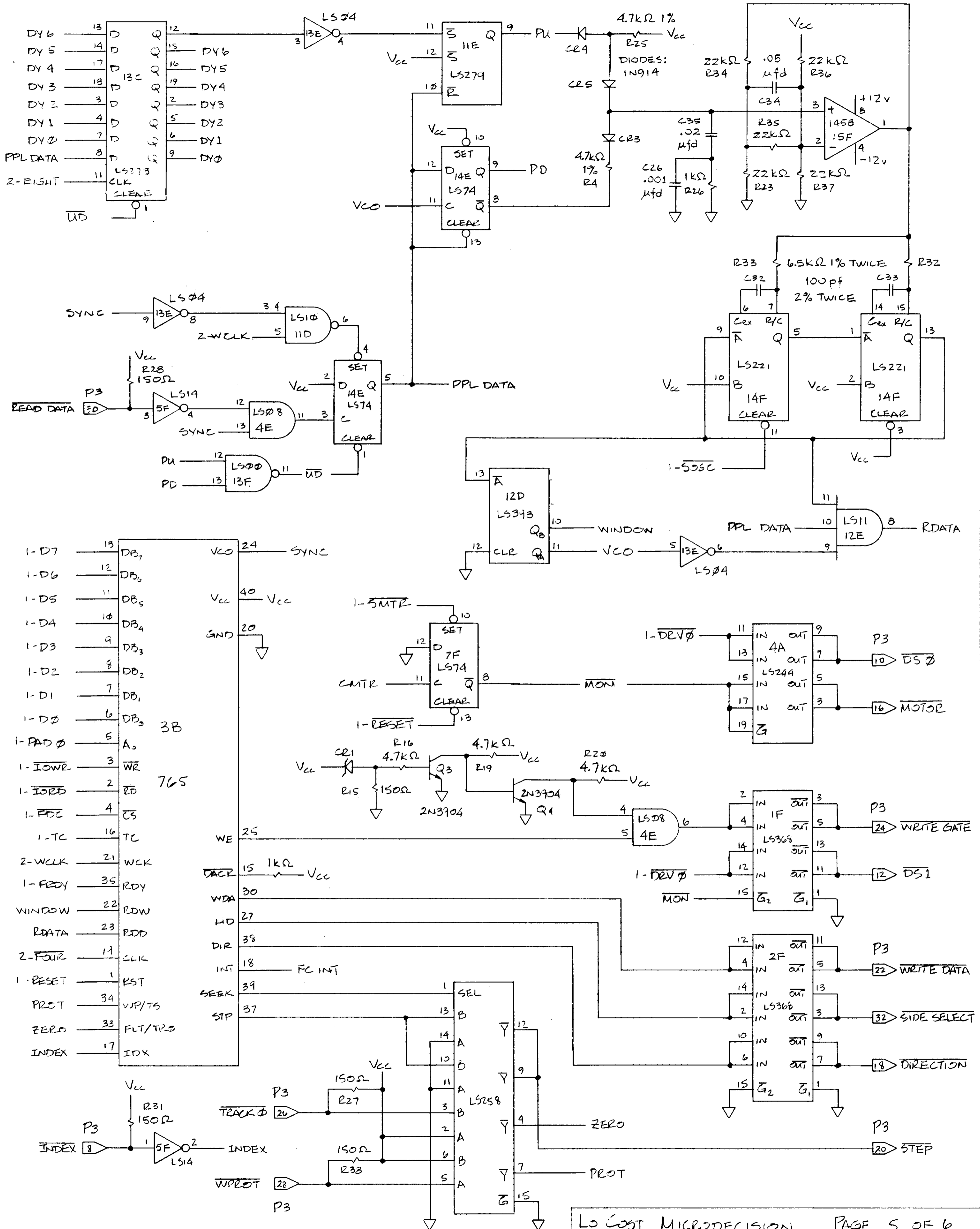
1-READ \overline{DMWR} 27 Ω

REV 3/3/84

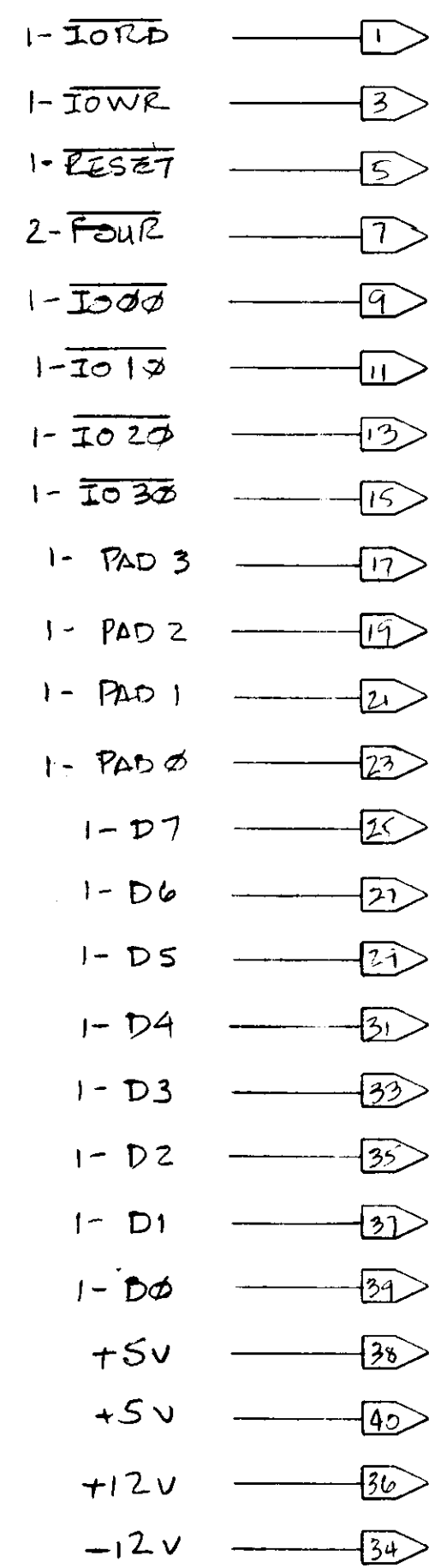




REV 313/84



P16



EVEN PINS 2 THROUGH 32
ARE GROUNDED

REV 3/3/84