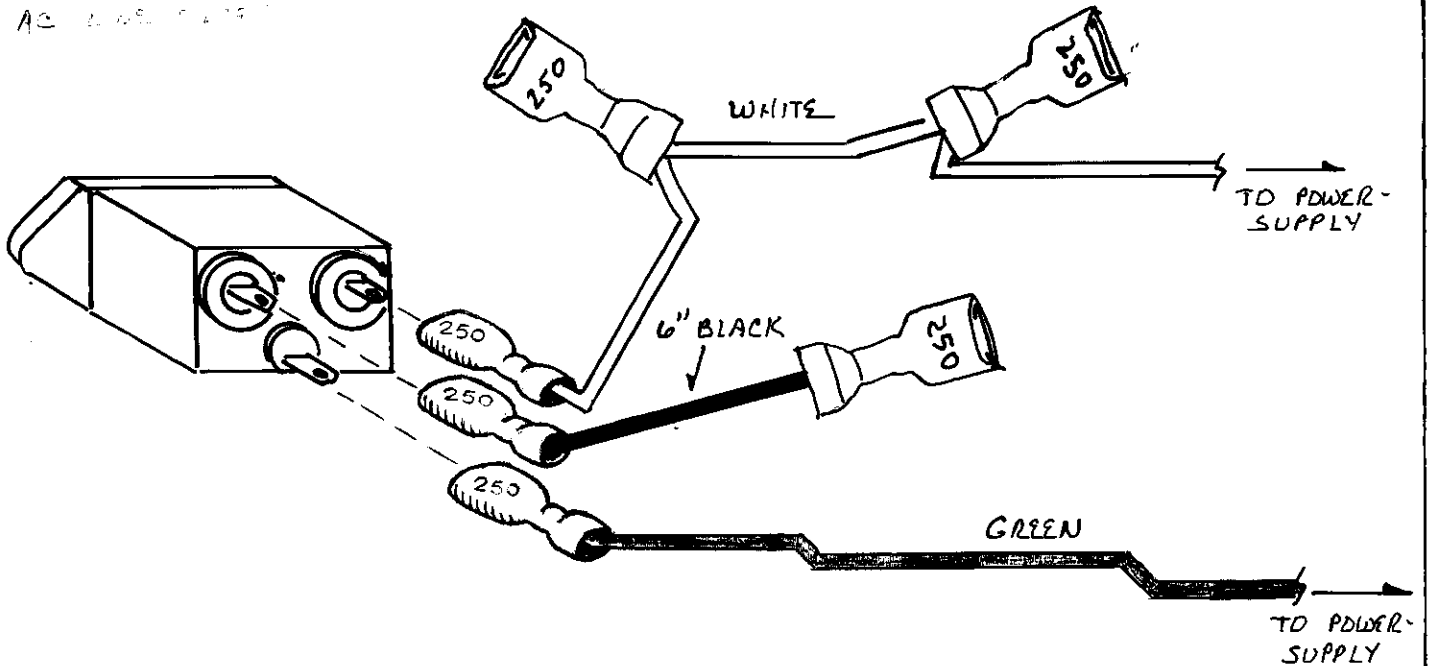


SUB-ASSEMBLY

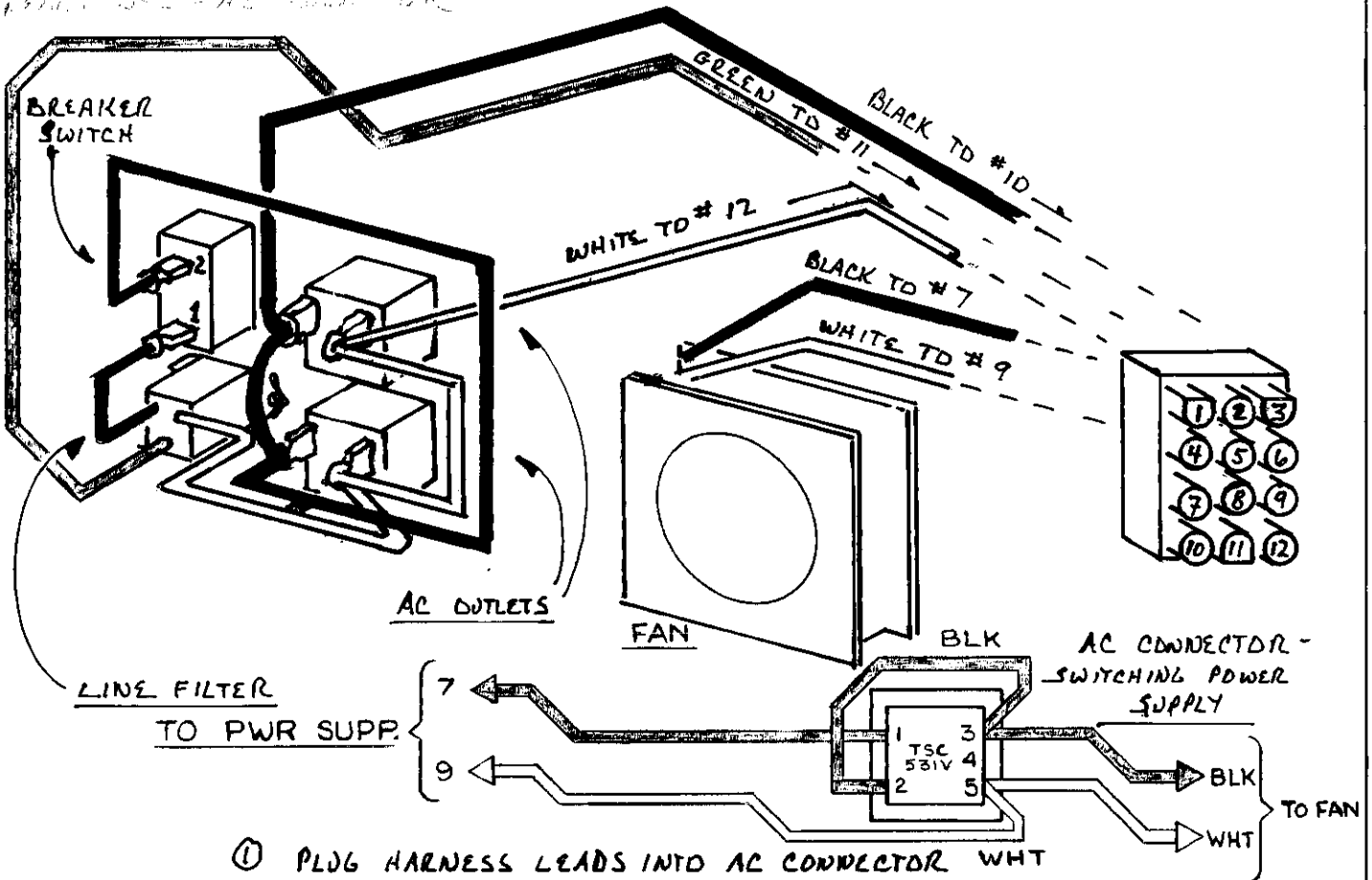
# 230V. INTERNATIONAL MODELS

AC WIRE HARNESS

AC LINE FILTER

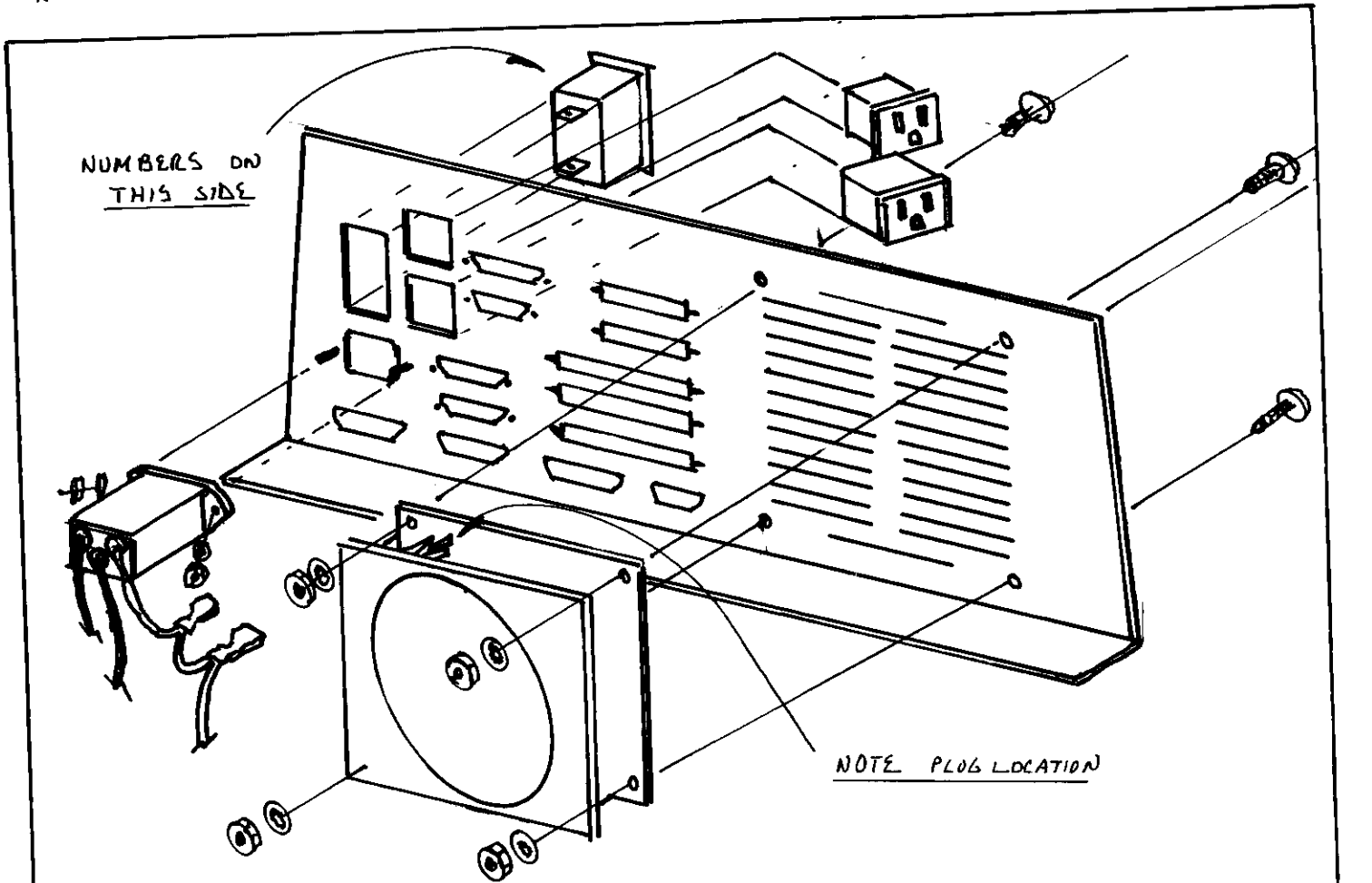


REAR PANEL - AC WIRE HARNESS

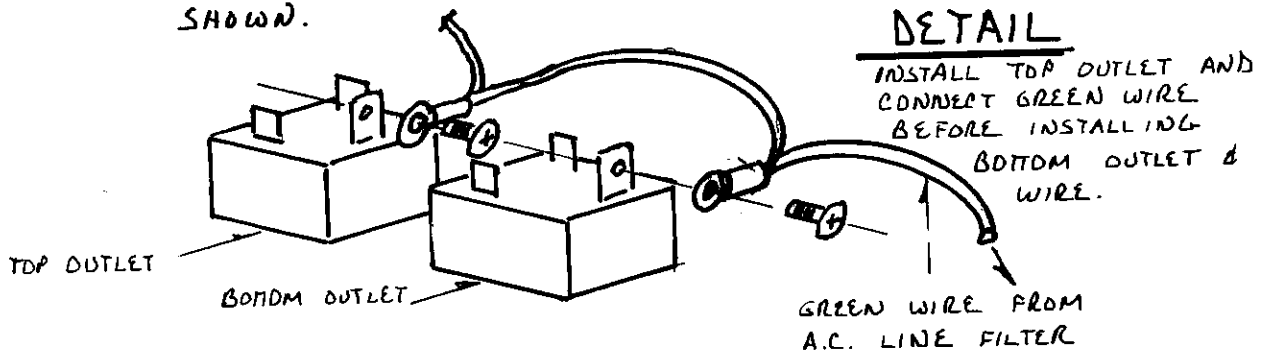


- ① PLUG HARNESS LEADS INTO AC CONNECTOR WHT AND ARRANGE HARNESS APPROXIMATELY AS SHOWN.
- ② ASSEMBLE COMPONENTS TO REAR PANEL
- ③ CONNECT HARNESS AS SHOWN

SUB-ASSEMBLY  
REAR PANEL

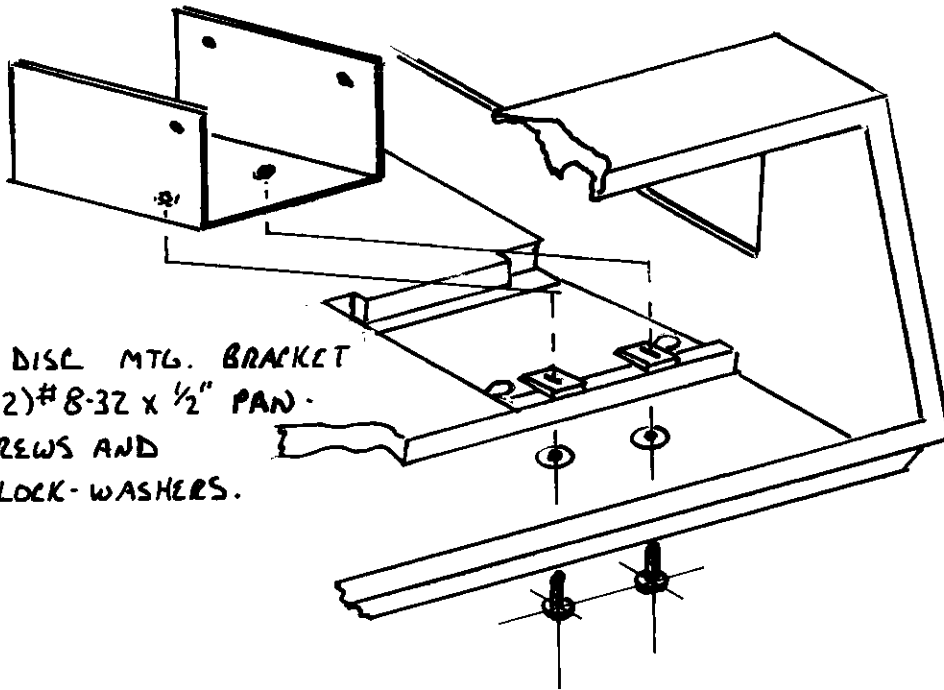


- ① INSTALL LINE FILTER USING TWO (2) #4-40 HEX NUTS AND TWO (2) #4 LOCK-WASHERS.
- ② INSTALL FAN USING FOUR (4) #6-32 X 3/4" PAN HEAD SCREWS, (4) FOUR #6 LOCK-WASHERS & FOUR (4) #6-32 HEX NUTS.
- ③ INSTALL TWO A.C. CONVENIENCE OUTLETS BY SWAPPING IN PLACE. BE SURE GROUND LOG IS DOWN. (SEE DETAIL)
- ④ SNAP-IN BREAKER SWITCH PLACING NUMBERS ON SIDE SHOWN.



ASSEMBLY  
DISC DRIVE BRACKET & POWER SUPPLY

DISC DRIVE BRACKET



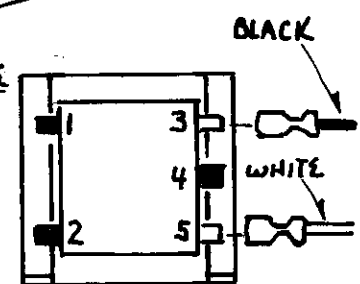
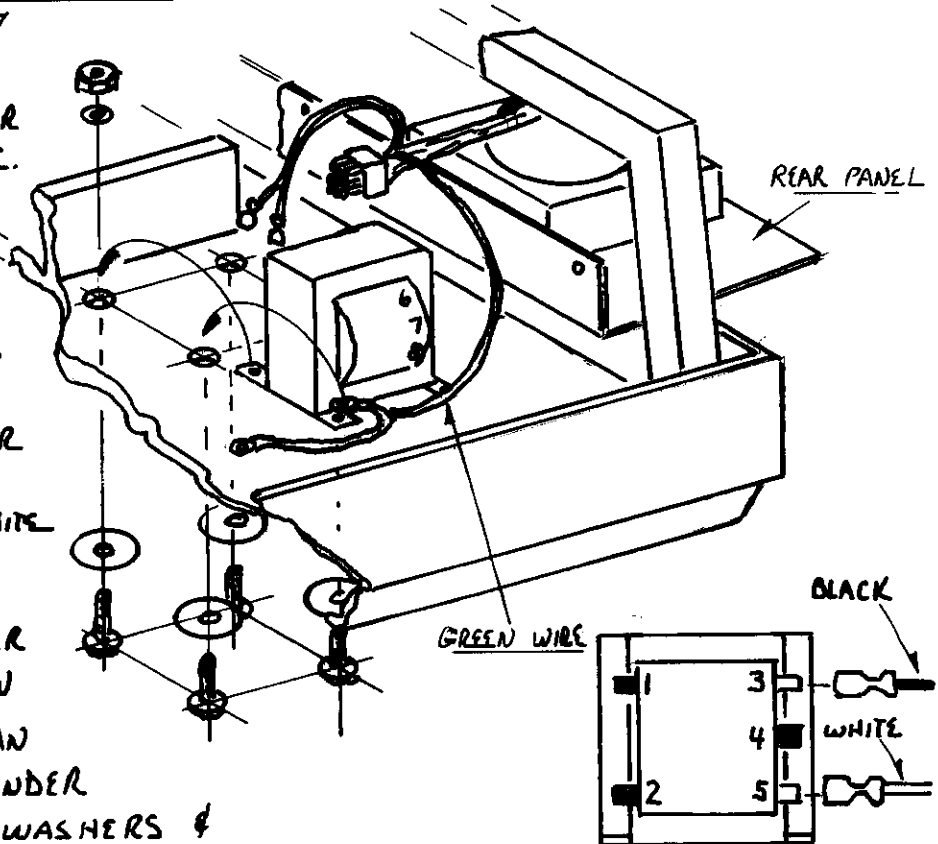
INSTALL DISC MTG. BRACKET  
USING (2) #8-32 x 1/2" PAN-  
HEAD SCREWS AND  
(2) #8 LOCK-WASHERS.

TRANSFORMER - POWER SUPPLY

① LAY REAR PANEL ASSY. NEAR  
REAR OF BASE. LOCATE A.C.  
CONNECTOR. BRING  
BLACK & WHITE WIRES  
W/ FASTONS FORWARD.  
BRING GREEN WIRE W/  
RING TONGUE CONNECTORS  
FORWARD.

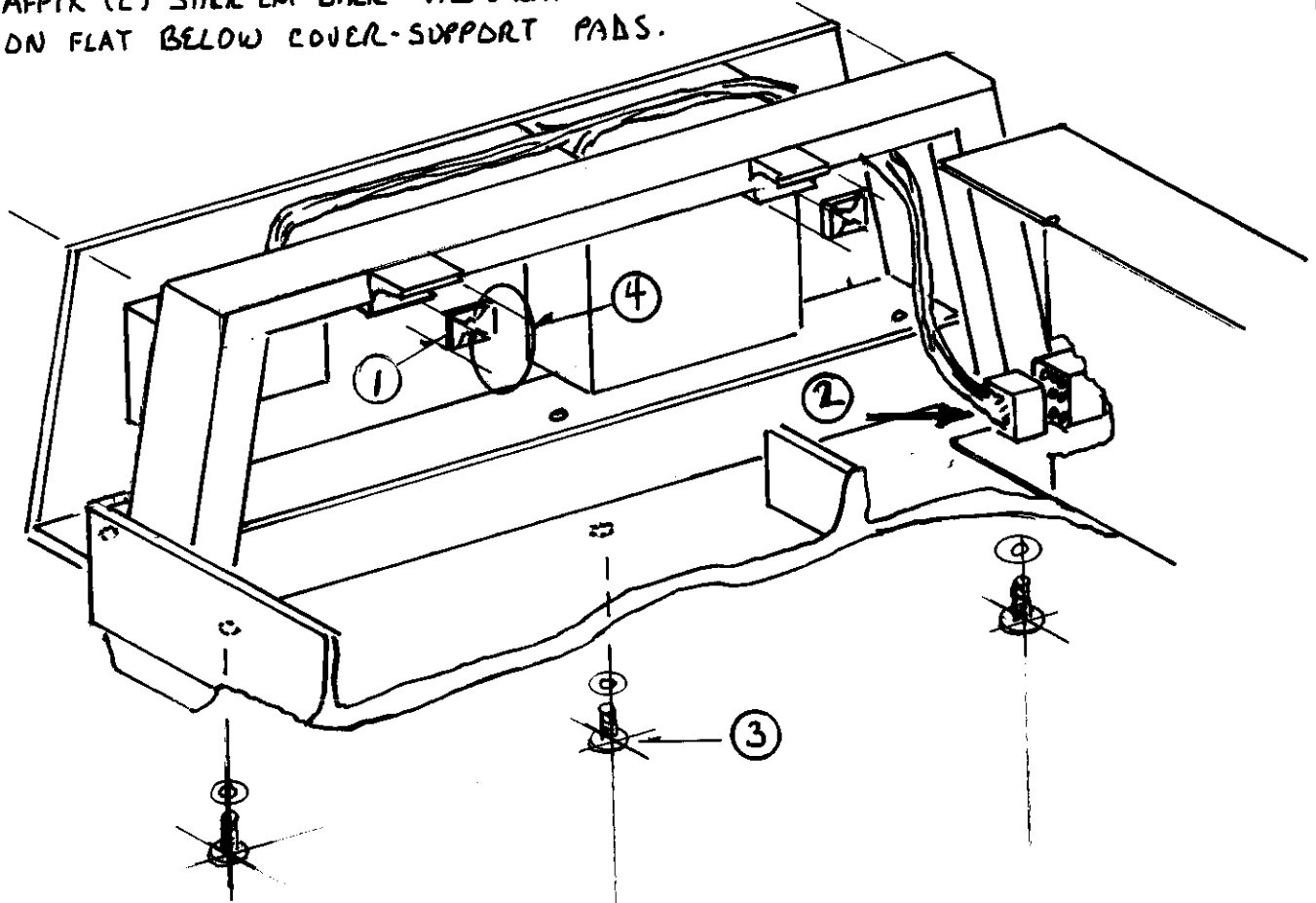
② PLACE TRANSFORMER NEAR  
MTG. HOLES IN BASE.  
CONNECT BLACK AND WHITE  
LEADS. (SEE DETAIL)

③ MOVE TRANSFORMER OVER  
MTG. HOLES AND FASTEN  
USING (4) #8-32 x 3/4" PAN  
HEAD SCREWS, (4) #8 FENDER  
WASHERS, (4) #8 LOCK-WASHERS &  
(4) #8-32 HEX NUTS. FASTEN GREEN  
WIRE TO LEG SHOWN WITH ONE  
OF THE SCREWS.



TRANSFORMER  
HOOK-UP  
DETAIL

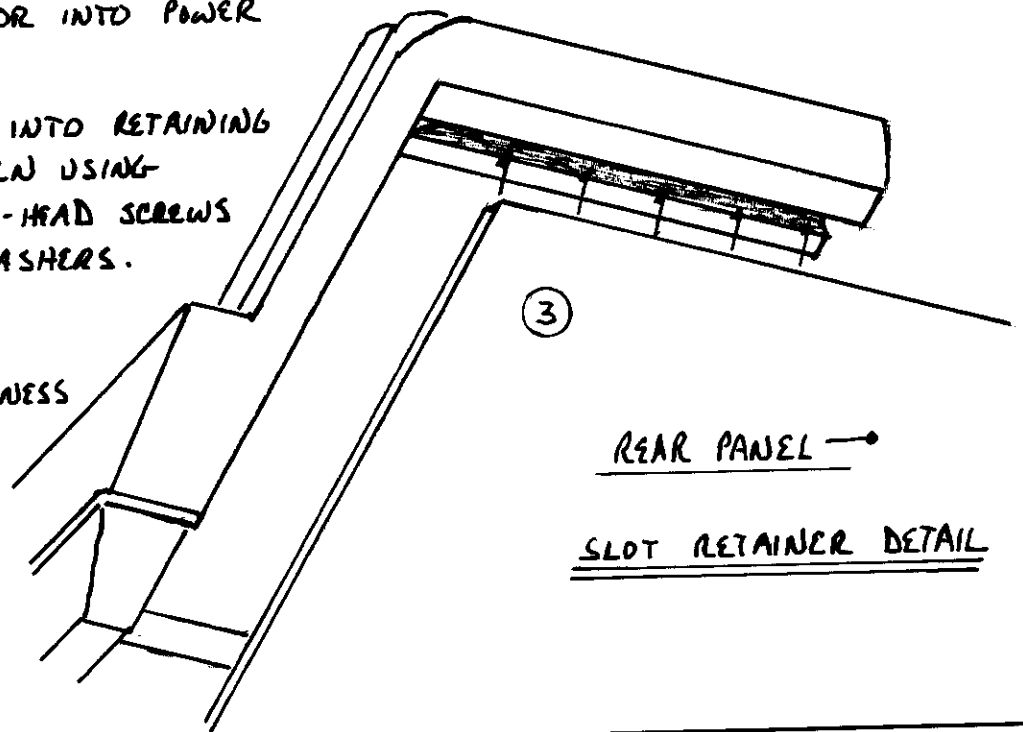
- ① AFFIX (2) STICK-EM BACK TIE-WRAP ANCHORS ON FLAT BELOW COVER-SUPPORT PADS.

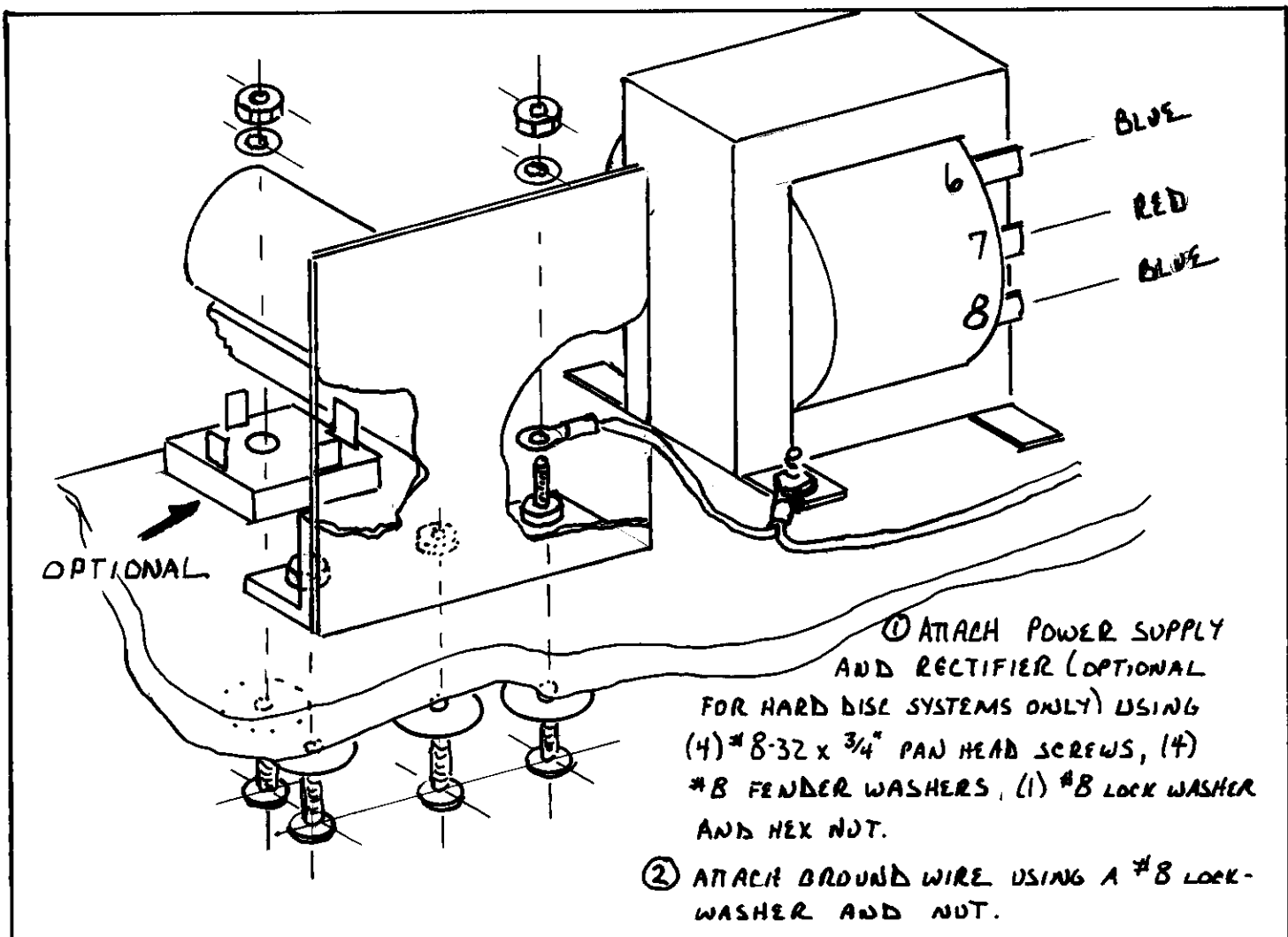


- ② PLUG AC CONNECTOR INTO POWER SUPPLY.

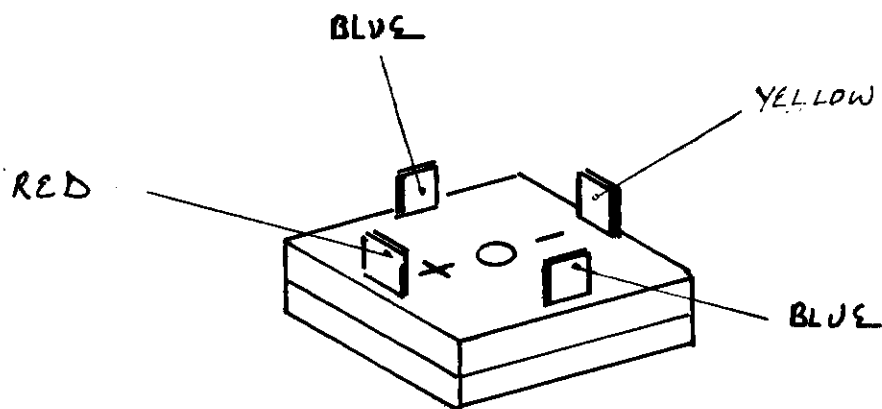
- ③ PUT REAR PANEL INTO RETAINING SLOT AND FASTEN USING (3) #8-32 X 3/8 PAN-HEAD SCREWS AND (3) LOCK WASHERS. SEE DETAIL

- ④ TIE WRAP A.C. HARNESS TO PADS (2).



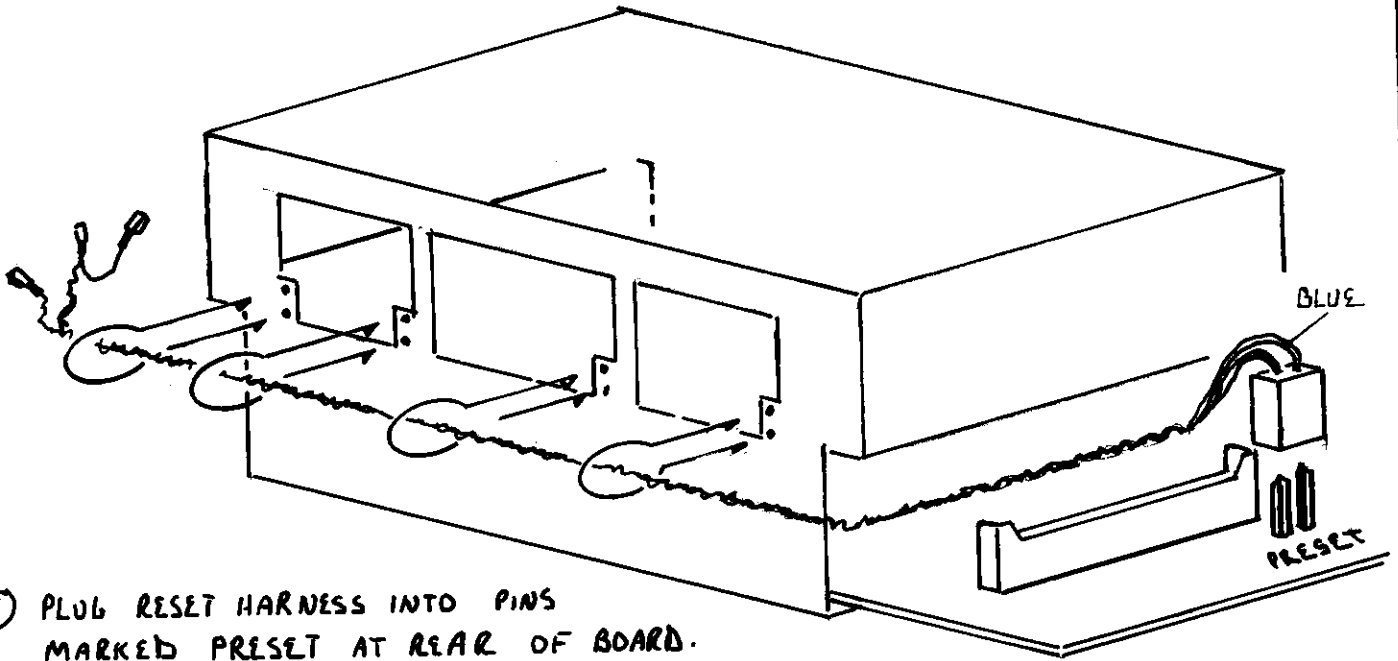


CONNECT TO THE FOLLOWING WIRE



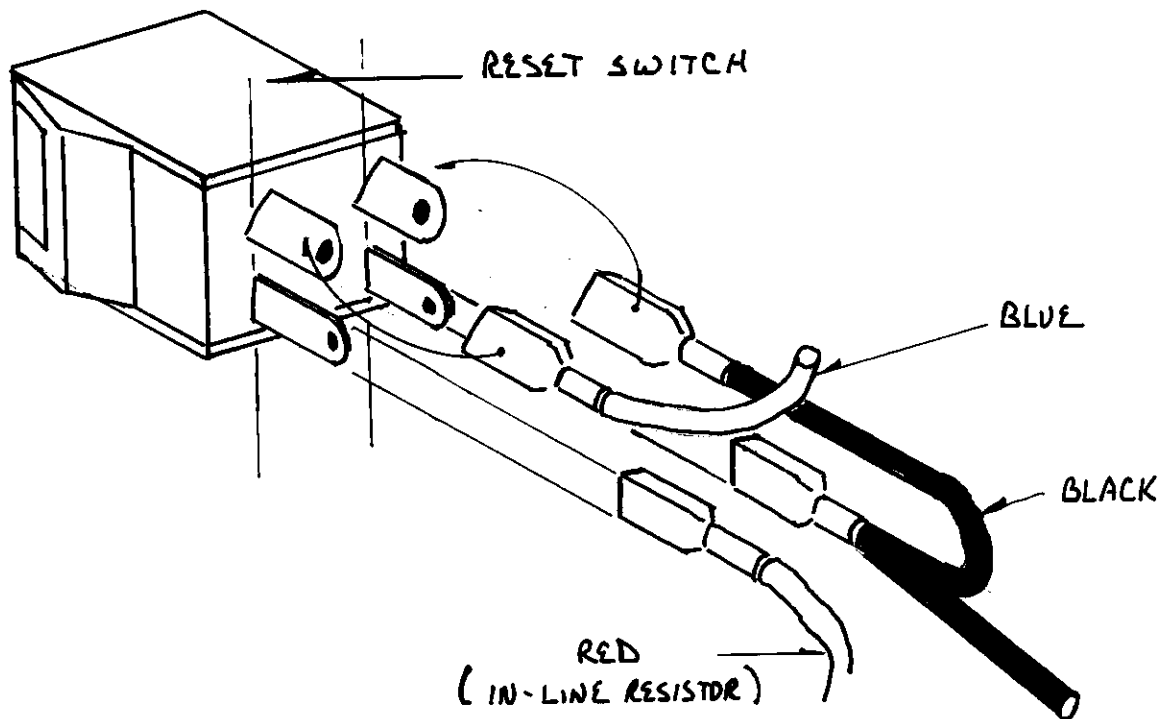
- ① CONNECT GROUP OF (3) FAST-ON LEADS TO TRANSFORMER (BLUE, RED, BLUE) SEE PRECEDING SKETCH.
- ② IF HARD DISK OPTION IS USED CONNECT THE GROUP OF (4) FAST-ON WIRES (YELLOW, RED, BLUE, BLUE) TO RECTIFIER. CONNECT YELLOW TO TERMINAL MARKED "+". CONNECT RED TO "-". CONNECT BLUE TO REMAINING LUGS.

ASSEMBLY  
INSTALL RESET CABLE



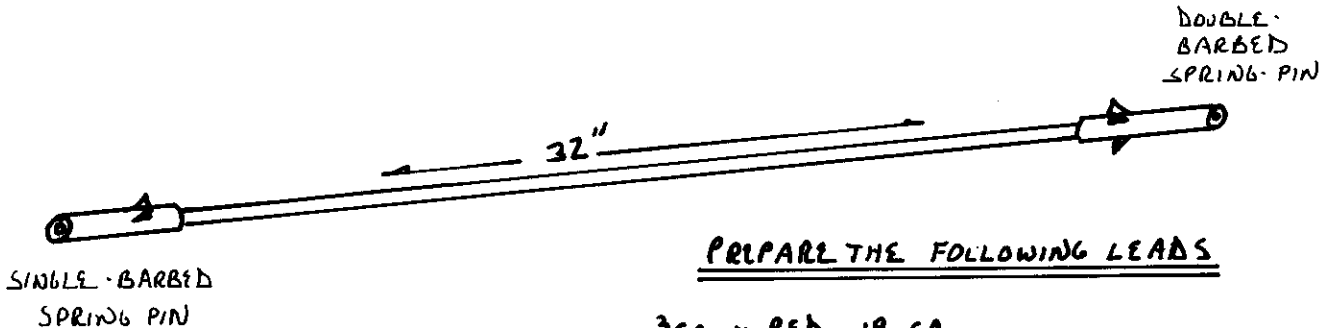
- ① PLUG RESET HARNESS INTO PINS MARKED RESET AT REAR OF BOARD.
- ② ATTACH HARNESS TO HOLES PROVIDED ON CARD CAGE WITH TIE-WRAPPS.

CONNECT CABLE TO RESET SWITCH



SUB-ASSEMBLY  
DC WIRE HARNESS

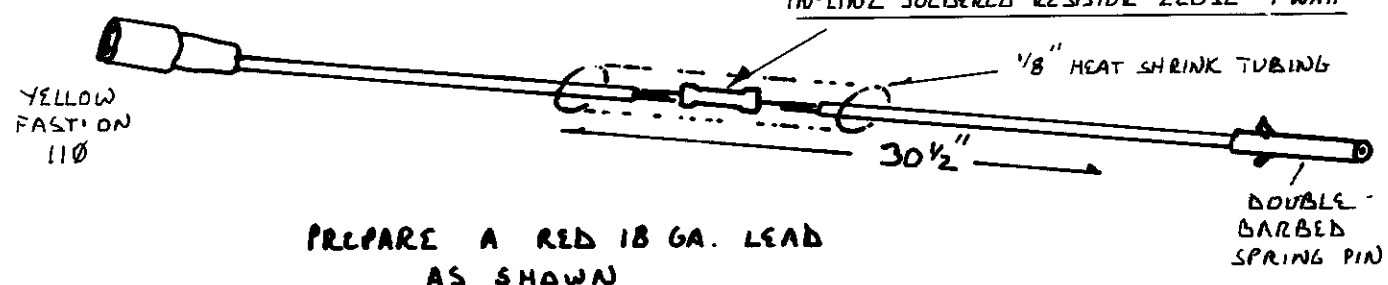
MOTHERBOARD POWER LEADS



PREPARE THE FOLLOWING LEADS

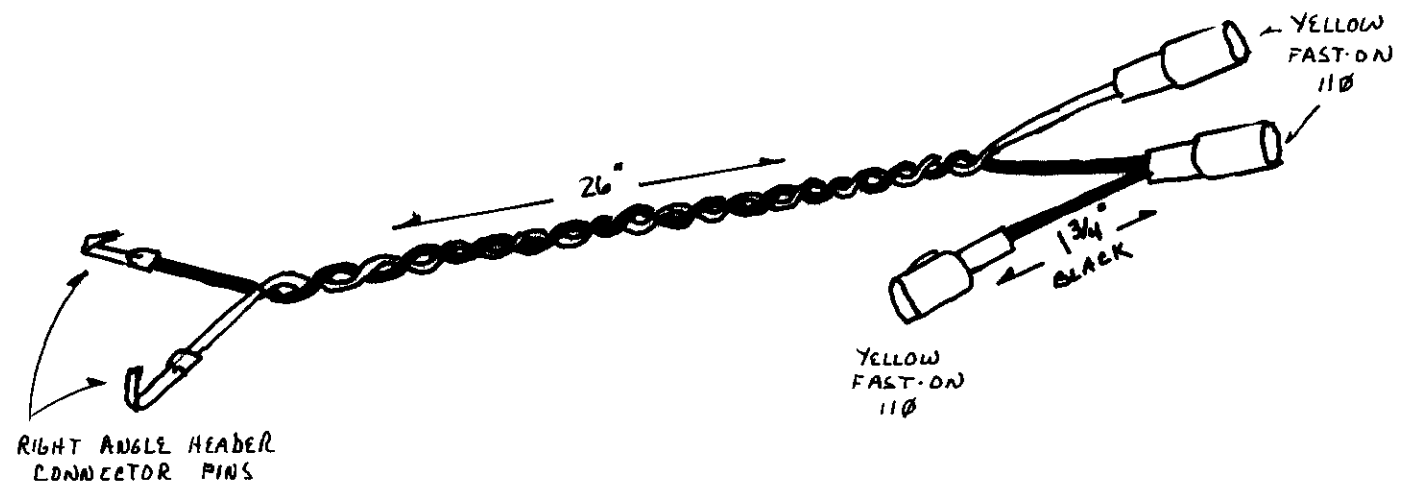
- 3EA. - RED 18 GA.
- 4EA. - BLACK 18 GA.
- 1EA. - BROWN 18 GA.
- 1EA. - YELLOW 18 GA.

LED POWER LEAD



PREPARE A RED 18 GA. LEAD AS SHOWN

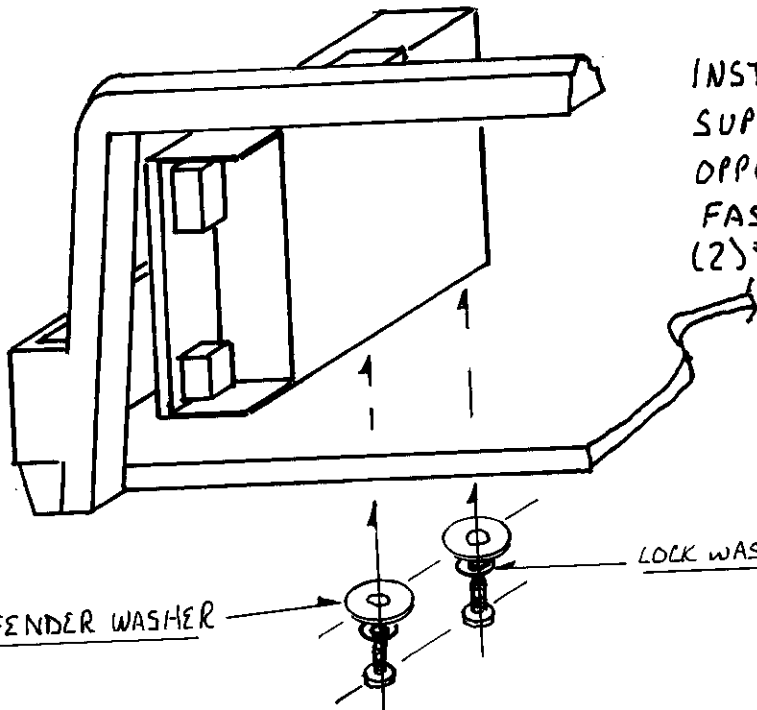
RESET SWITCH LEADS



PREPARE A 26" LENGTH OF TWISTED BLACK AND BLUE - 22 GA. WIRES AS SHOWN.

NOTE: TWIST WIRES BEFORE CUTTING TO LENGTH

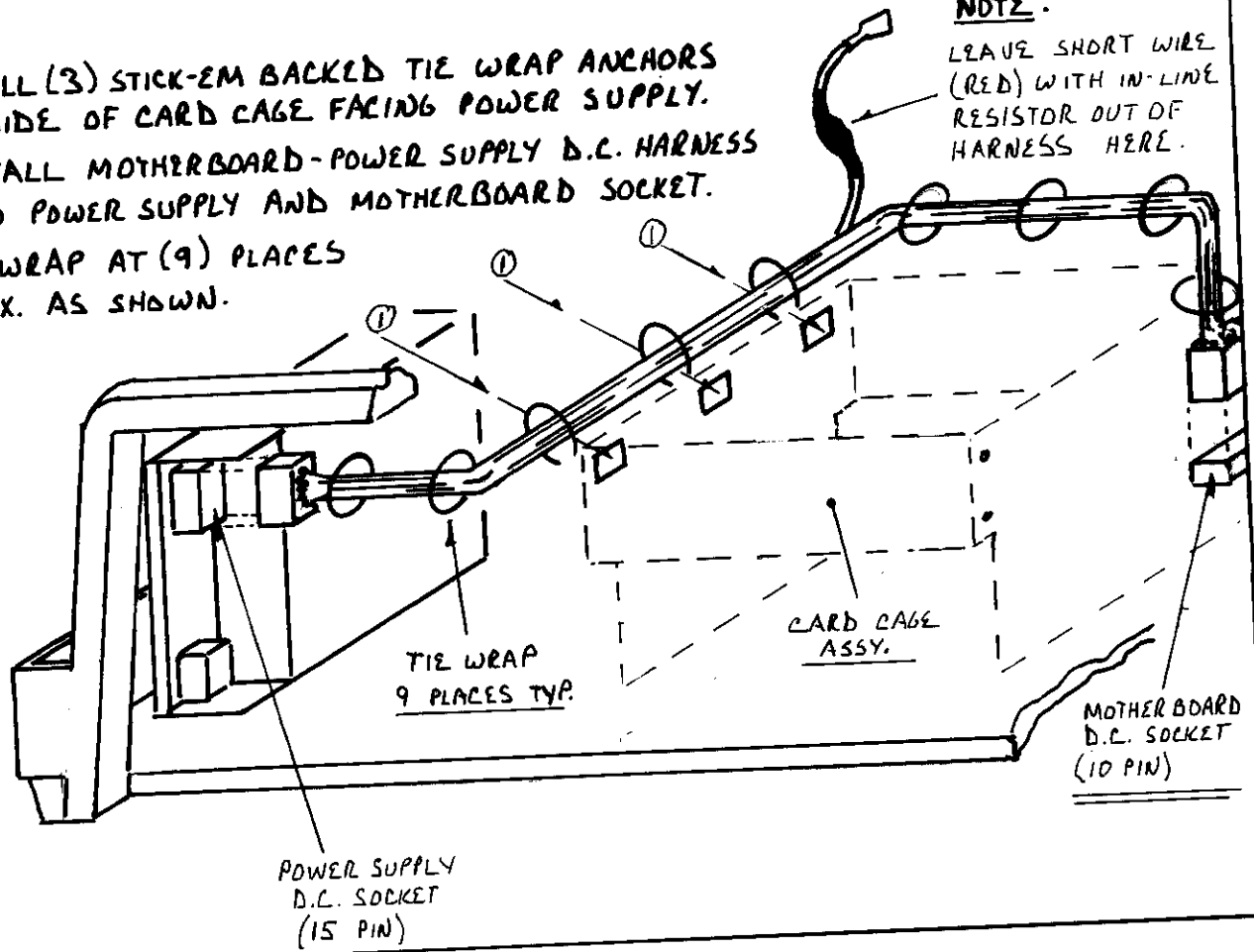
ASSEMBLY  
 INSTALL POWER SUPPLY AND MOTHERBOARD POWER HARNESS



INSTALL SWITCHING POWER SUPPLY IN REAR CORNER OPPOSITE THE MOTHERBOARD. FASTEN TO BASE USING (2) #10-32 X 3/4" PAN HEAD SCREWS AND (2) #10 FENDER (LARGE DIAMETER) WASHERS AND (2) #10 LOCK WASHERS

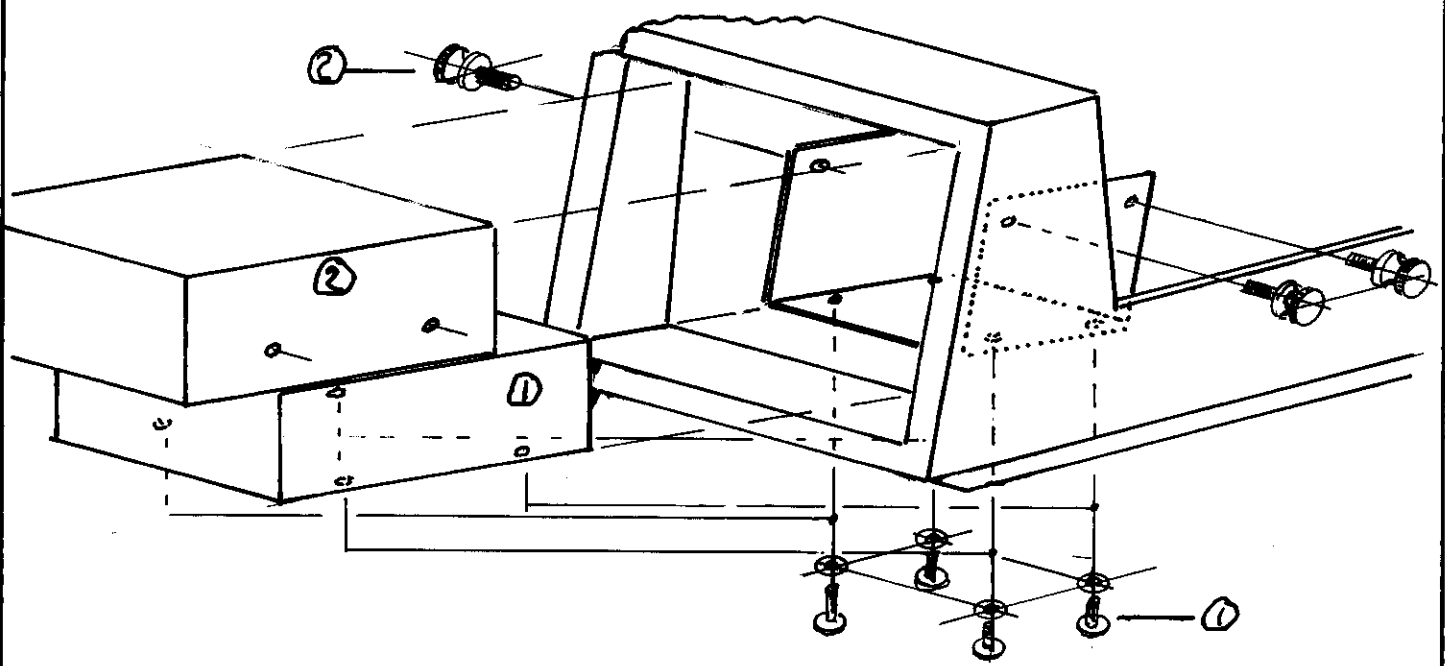
- ① INSTALL (3) STICK-EM BACKED TIE WRAP ANCHORS ON SIDE OF CARD CAGE FACING POWER SUPPLY.
- ② INSTALL MOTHERBOARD-POWER SUPPLY D.C. HARNESS INTO POWER SUPPLY AND MOTHERBOARD SOCKET.
- ③ TIE WRAP AT (9) PLACES APPROX. AS SHOWN.

**NOTE:**  
 LEAVE SHORT WIRE (RED) WITH IN-LINE RESISTOR OUT OF HARNESS HERE.



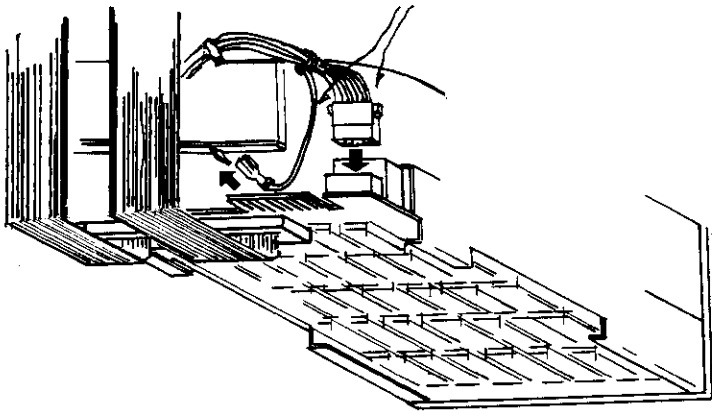


- ① INSTALL BOTTOM DRIVE FIRST BY INSTALLING (4) #6-32 X 3/4" PAN-HEAD SCREWS AND (4) #6 LOCK WASHERS THRU BASE INTO BOTTOM MTG. HOLES ON DRIVE.
- ② INSTALL TOP DRIVE USING (3) #6-32 THUMBSCREWS THRU SIDE MTG. HOLES.



**BOTTOM DRIVE (HARD DISC)**

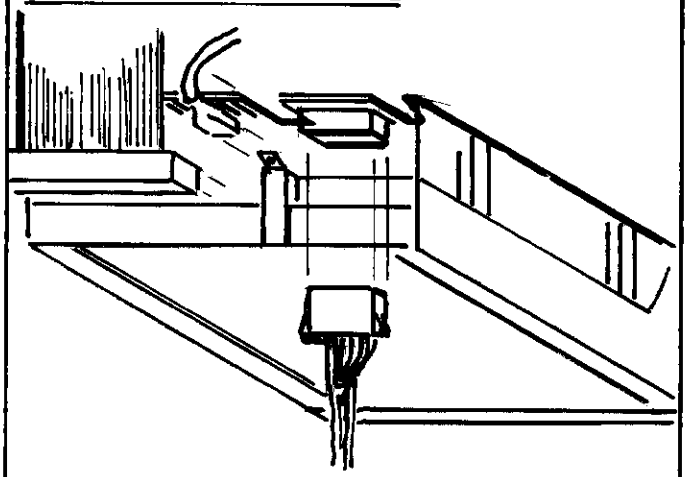
CONNECT DRIVE GROUND TO TAB ON DRIVE BEHIND POWER SUPPLY, & CONNECT DRIVE HARNESS TO PLUG ON UNDERSIDE OF P.C. BOARD.



CONNECT 20 #34 PIN RIBBON FLAT CABLE CONNECTORS TO P.C. BOARD

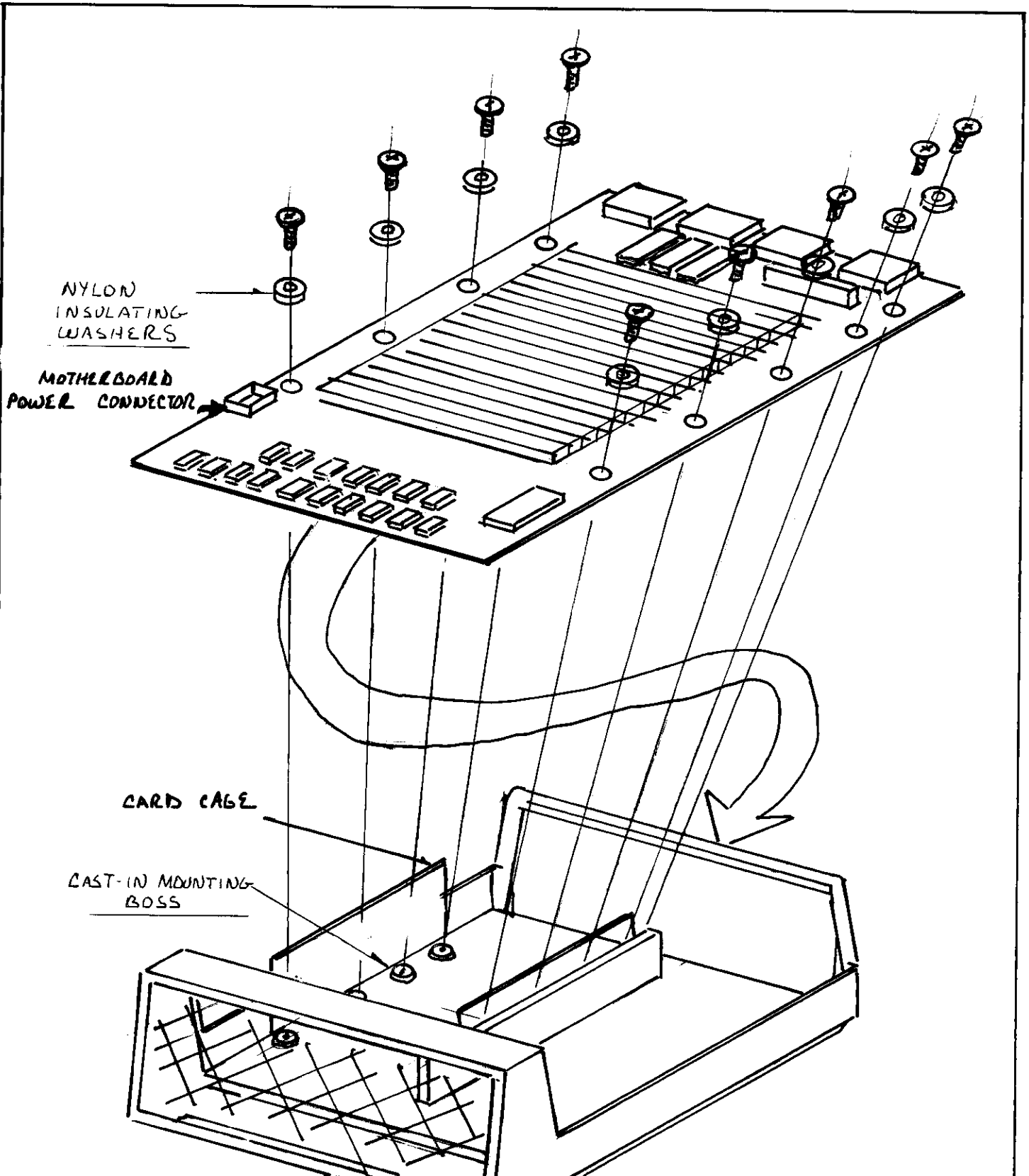
NOTE: 20 PIN CABLES ARE USED ONLY W/ HARD DISCS.

**TOP DRIVE (FLOPPY DISC)**



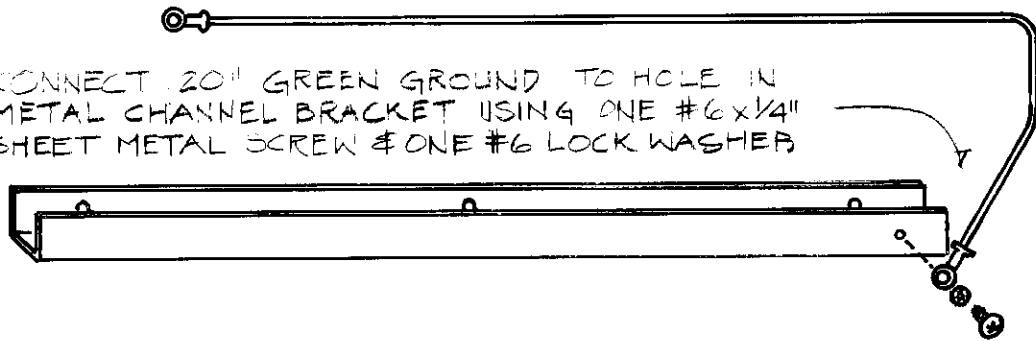
- ① CONNECT DRIVE GROUND TO TAB ON DRIVE.
- ② CONNECT DRIVE POWER HARNESS TO PLUG ON UNDERSIDE OF P.C. BOARD
- ③ CONNECT 34 PIN RIBBON CABLE CARD CONNECTORS TO P.C. BOARD.

ASSEMBLY  
INSTALL MOTHER BOARD

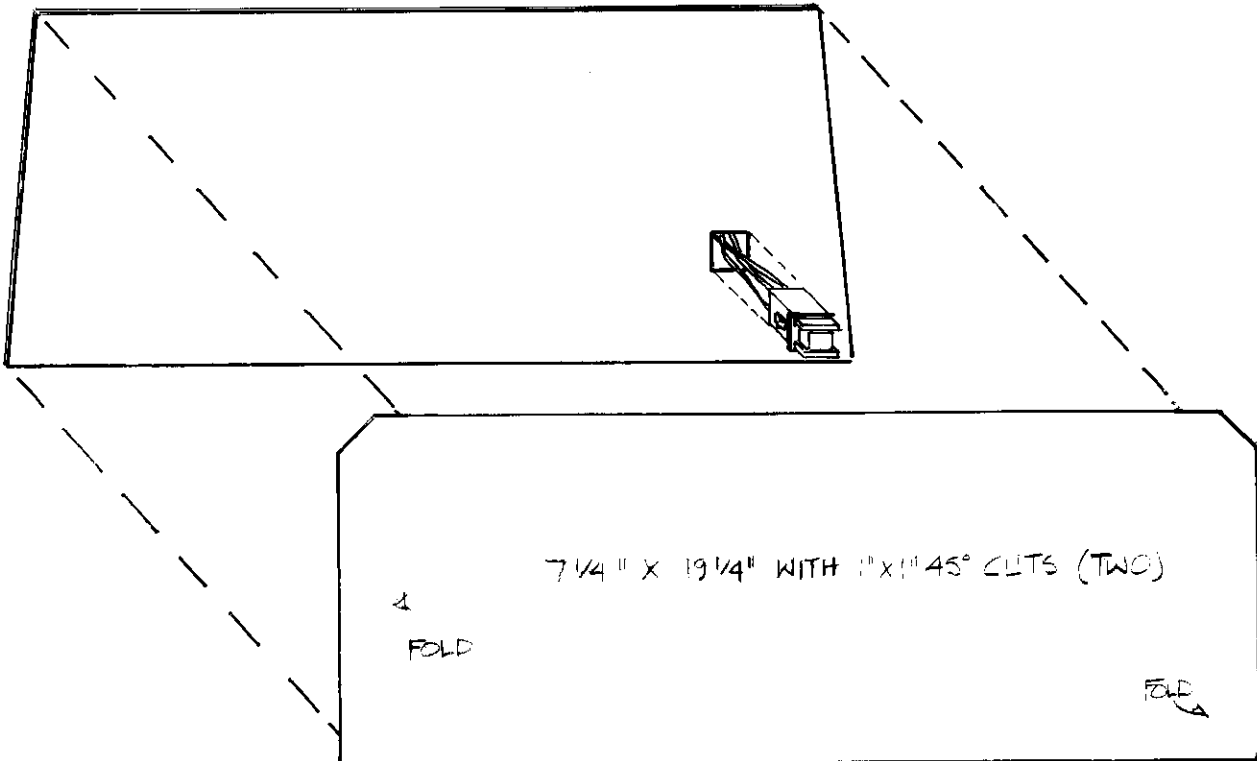


- ① INSPECT BOARD MOUNTING BOSSSES TO BE SURE THEY ARE FREE OF BURRS AND METAL CHIPS.
- ② PUT BOARD IN PLACE AND FASTEN USING (10) INSULATING WASHERS AND (10) #6-32 X 3/8" PAN HEAD SCREWS. LEAVE SCREWS LOOSE FOR THE PRESENT.

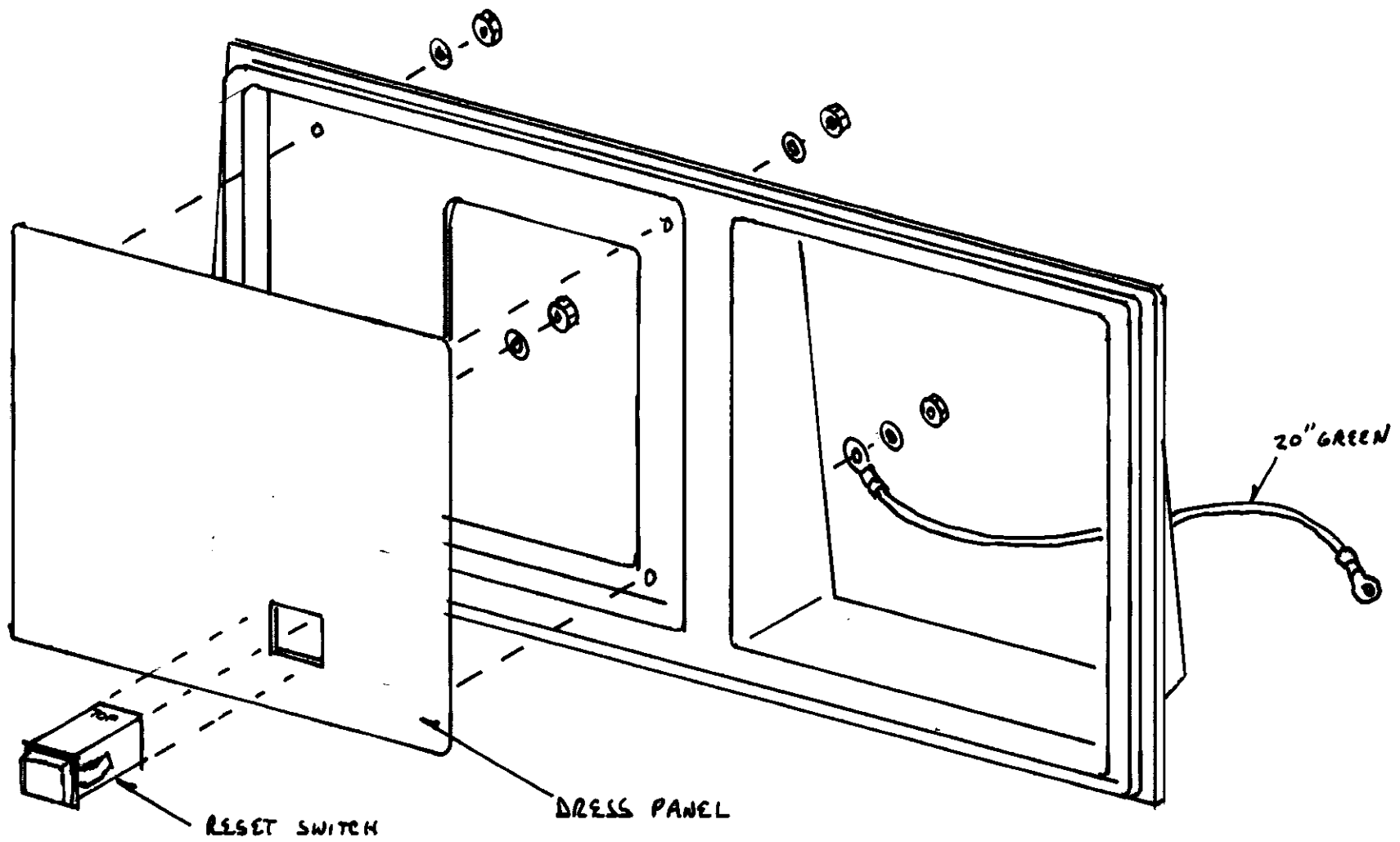
Ⓐ CONNECT 20" GREEN GROUND TO HOLE IN METAL CHANNEL BRACKET USING ONE #6 x 1/4" SHEET METAL SCREW & ONE #6 LOCK WASHER



Ⓑ INSTALL RESET BUTTON IN METAL FRONT PANEL



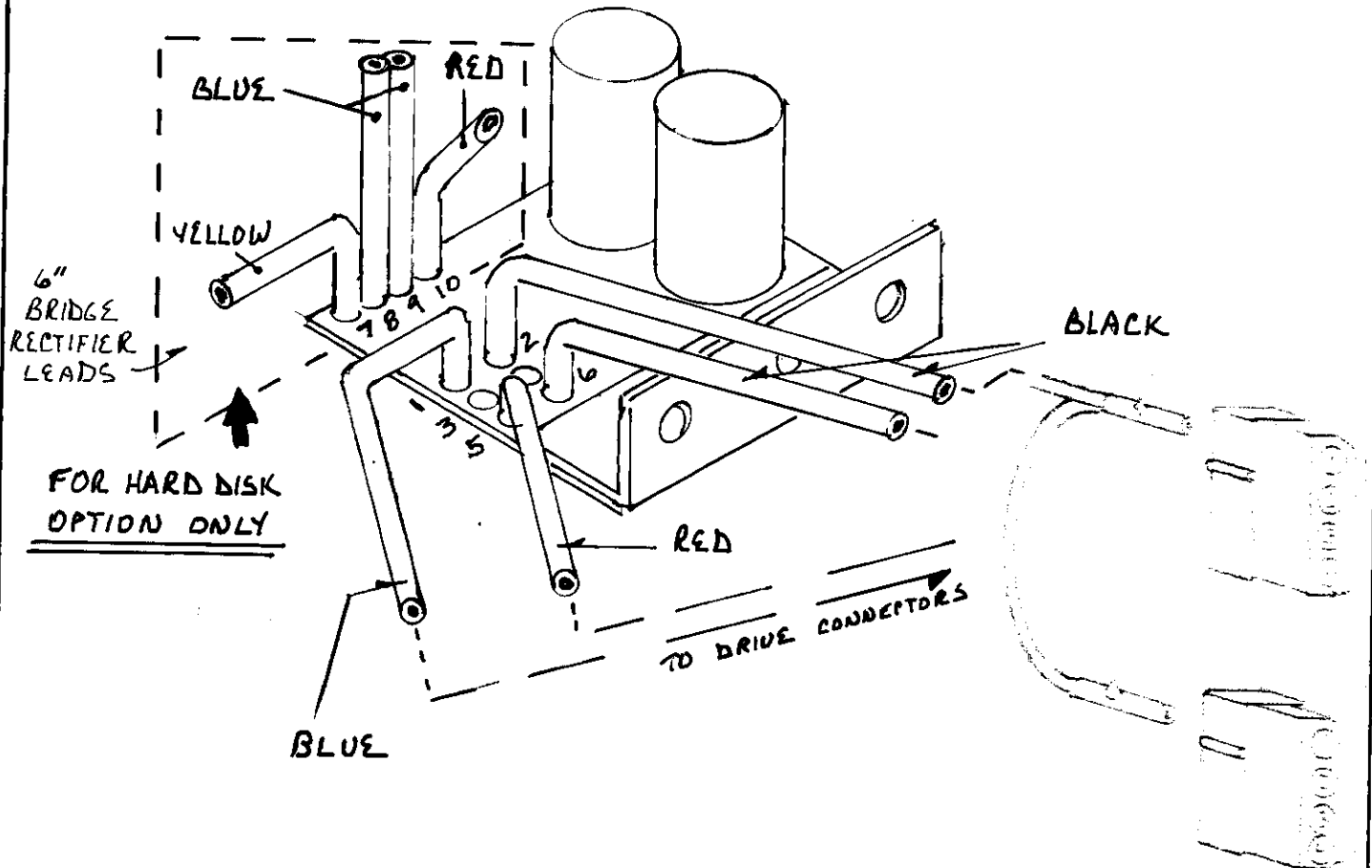
Ⓒ PLACE PROTECTIVE PLASTIC SHEET OVER FRONT PANEL. WHEN PANEL IS INSTALLED, COVER FOLDSOVER ON LEFT & RIGHT SIDE



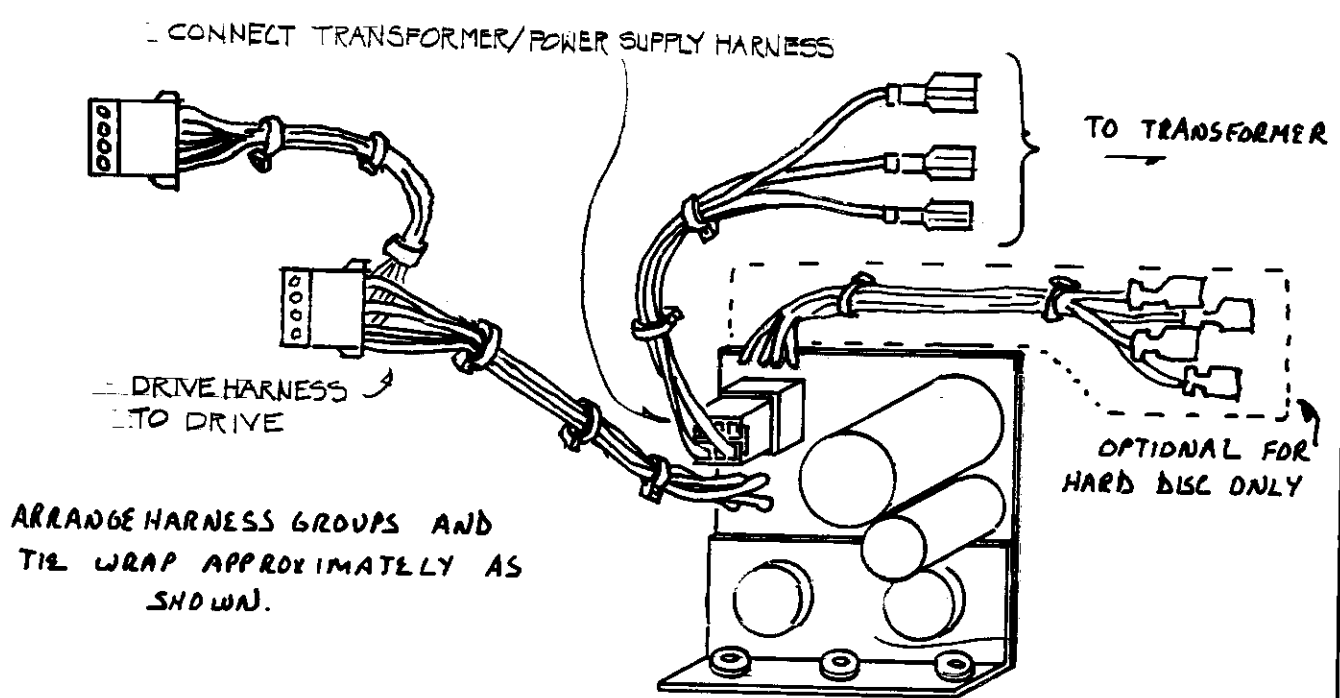
- ① SNAP RESET SWITCH INTO DRESS PANEL
- ② ATTACH DRESS PANEL TO MAIN FRONT PANEL USING (4) FOUR #6-32 HEX NUTS AND (4) FOUR #6 LOCK WASHERS

SUB ASSEMBLY

SOLDER LEADS TO POWER SUPPLY P.C. BOARDS



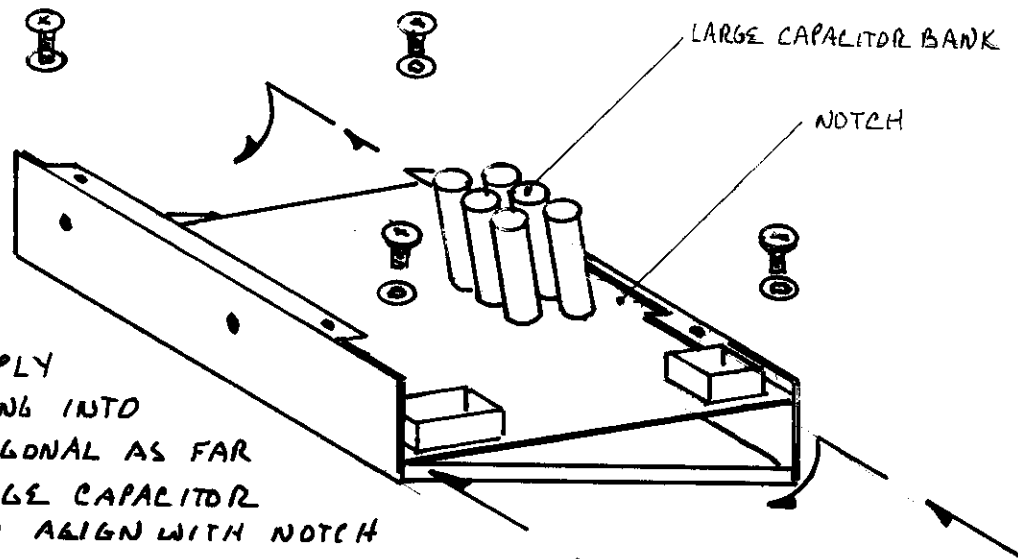
TIE WRAP POWER SUPPLY HARNESSES



SUB-ASSEMBLY

CONTINUING POWER SUPPLY

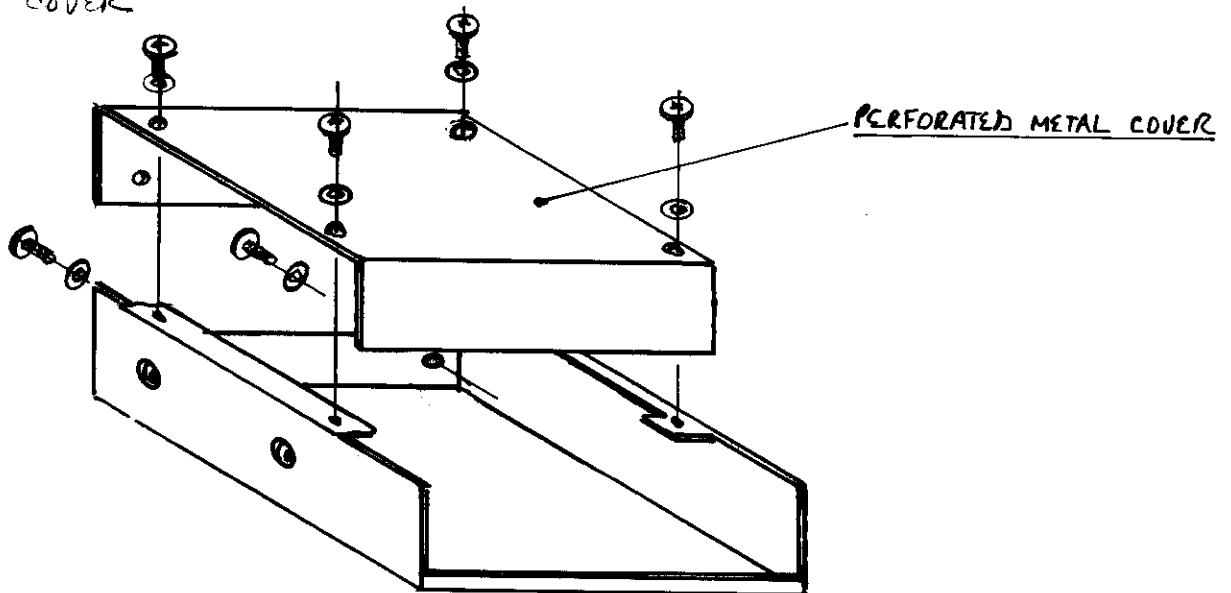
INSTALL P.C. BOARD



INSERT POWER SUPPLY P.C. BOARD BY SLIDING INTO CHASSIS AT A DIAGONAL AS FAR AS IT WILL GO. LARGE CAPACITOR BANK SHOULD NOW ALIGN WITH NOTCH ON CHASSIS LIP. PUSH BOARD DOWN.

(4) MOUNTING HOLES SHOULD LINE UP WITH STANDOFFS IN BASE. FASTEN BOARD DOWN USING (4) #6-32 x 3/8" PAN-HEAD SCREWS AND (4) #6 LOCK WASHERS.

INSTALL COVER



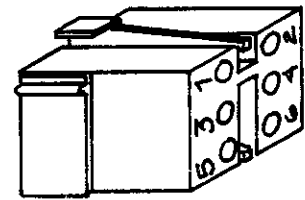
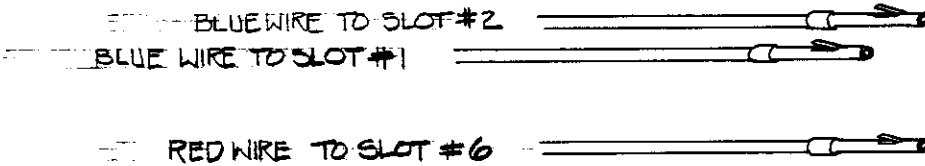
INSTALL PERFORATED METAL COVER USING (6) #6-32 x 3/8" PAN-HEAD SCREWS AND (6) #6 LOCK WASHERS.

**Assemble transformer / power supply harness**

THE TRANSFORMER/POWER SUPPLY HARNESS HAS THREE 8" WIRES: ONE RED & TWO BLUE. EACH WIRE HAS A PINK FASTON 250 AT ONE END, & A SINGLE BARB FEMALE SPRING PIN AT THE OTHER.



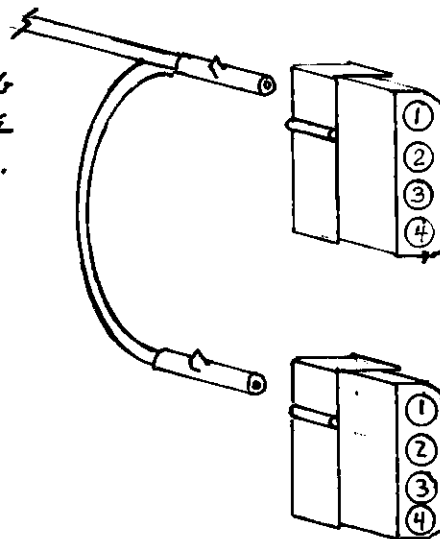
THE FEMALE SPRING PIN END OF EACH WIRE IS CONNECTED TO THE POWER SUPPLY PLUG IN THE FOLLOWING ORDER:



**ASSEMBLE DRIVE POWER SUPPLY HARNESS**

ASSEMBLE DRIVE-POWER SUPPLY LEADS INTO CONNECTORS BY INSERTING BOTH SPRING PIN ENDS INTO THE SAME NUMBER SLOT ON BOTH CONNECTORS.

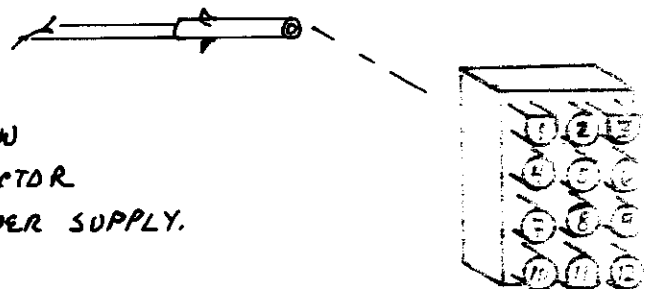
- BLUE — # 1 SLOT
- BLACK — # 2 & # 3 SLOT
- RED — # 4 SLOT



**ASSEMBLE TRANSFORMER AC INPUT HARNESS**

ASSEMBLE DOUBLE BARB SPRING-PIN END OF LEADS INTO AC CONNECTOR THAT PLUGS INTO SWITCHING POWER SUPPLY.

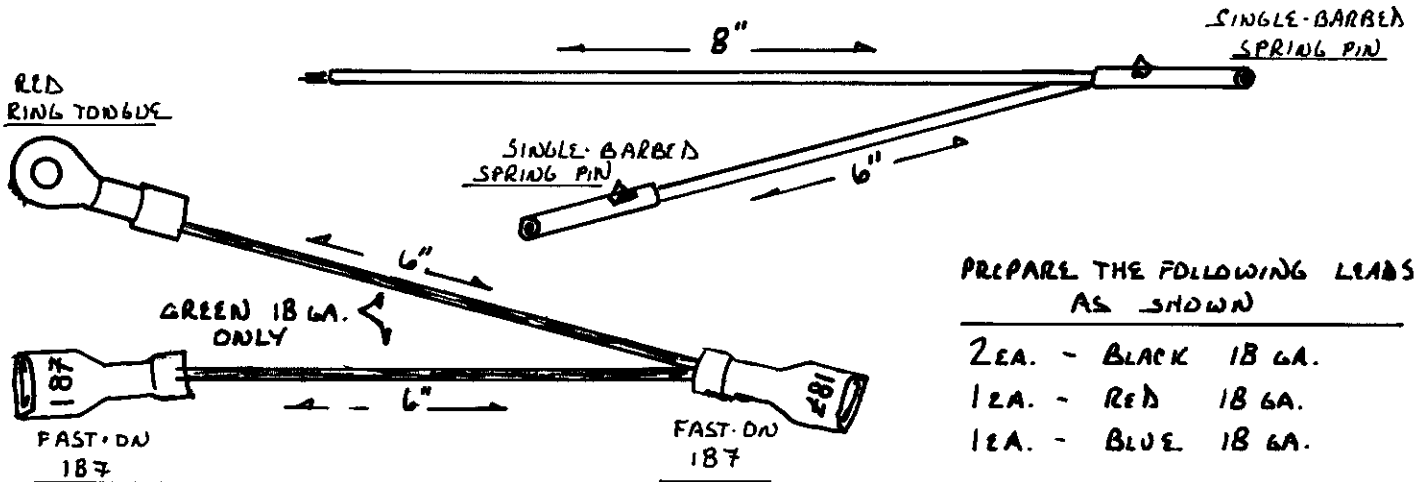
- BLACK TO SLOT # 4
- WHITE TO SLOT # 6
- GREEN TO SLOT # 5



AC CONNECTOR - SWITCHING POWER SUPPLY

SUB-ASSEMBLY  
DRIVE - POWER SUPPLY LEADS

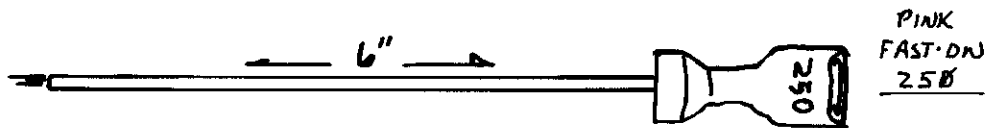
DRIVE - POWER SUPPLY LEADS



PREPARE THE FOLLOWING LEADS AS SHOWN

- 2 EA. - BLACK 18 GA.
- 1 EA. - RED 18 GA.
- 1 EA. - BLUE 18 GA.

POWER SUPPLY - BRIDGE RECTIFIER LEADS

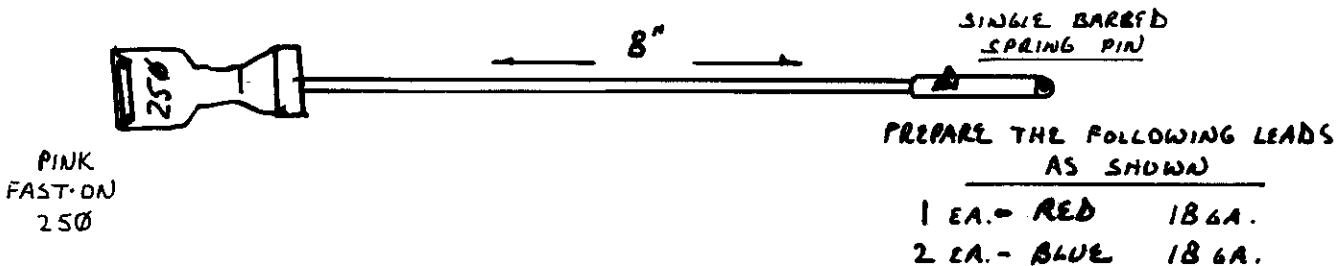


PREPARE THE FOLLOWING LEADS AS SHOWN

- 2 EA. BLUE 18 GA.
- 1 EA. YELLOW 18 GA.
- 1 EA. RED 18 GA.

NOTE: THIS HARNESS USED ONLY WITH 5" WINCHESTER OPTION

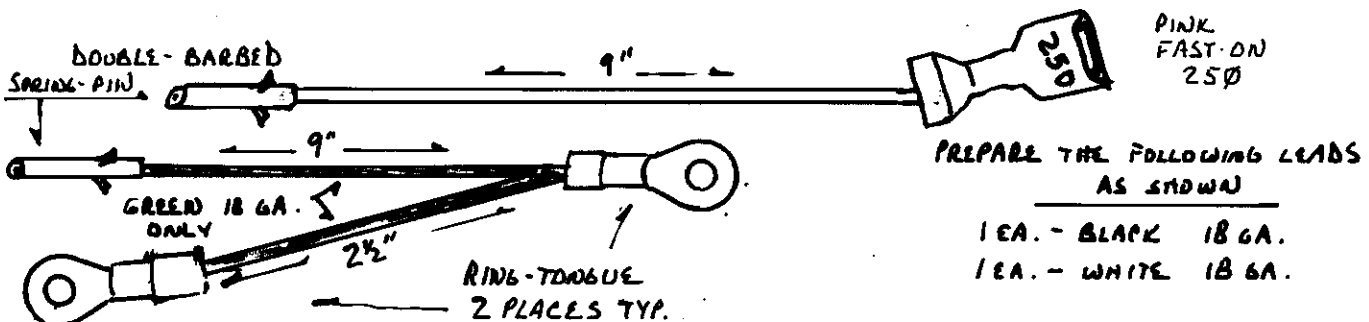
TRANSFORMER - POWER SUPPLY LEADS



PREPARE THE FOLLOWING LEADS AS SHOWN

- 1 EA. - RED 18 GA.
- 2 EA. - BLUE 18 GA.

TRANSFORMER - AC INPUT LEADS



PREPARE THE FOLLOWING LEADS AS SHOWN

- 1 EA. - BLACK 18 GA.
- 1 EA. - WHITE 18 GA.

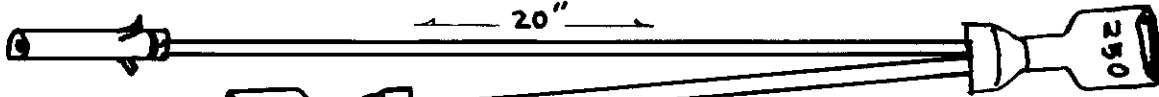


SUB-ASSEMBLY

AC WIRE HARNESS LEADS

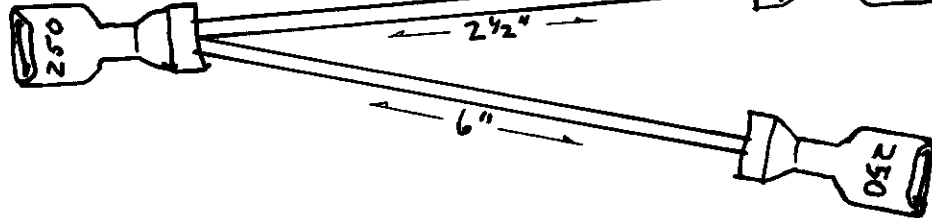
BLACK

DOUBLE-BARB  
SPRING PIN



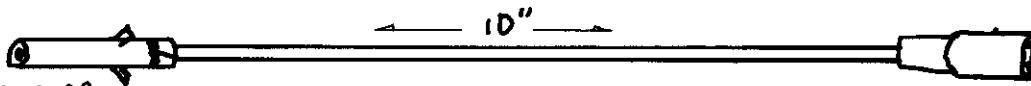
BLUE  
FAST-ON  
"250"

BLUE  
FAST-ON  
250



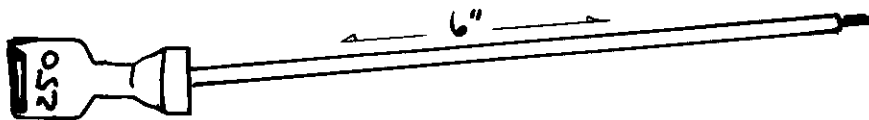
PINK  
FAST-ON  
250

DOUBLE-BARB  
SPRING PIN



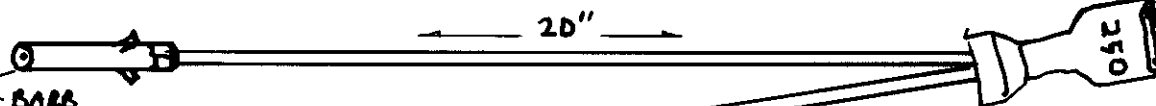
YELLOW  
FAST-ON  
110

PINK  
FAST-ON  
250



WHITE

DOUBLE-BARB  
SPRING-PIN

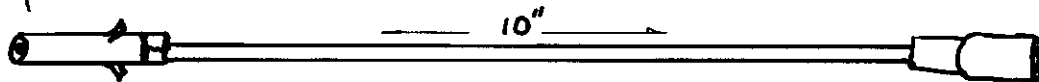


BLUE  
FAST-ON  
250

BLUE  
FAST-ON  
250

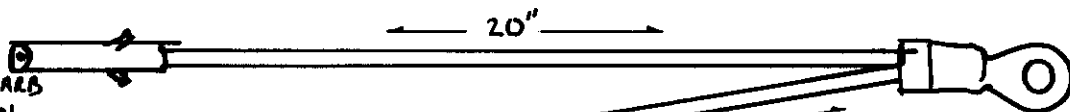


YELLOW  
FAST-ON  
110



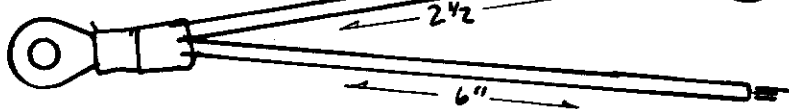
GREEN

DOUBLE BARB  
SPRING-PIN



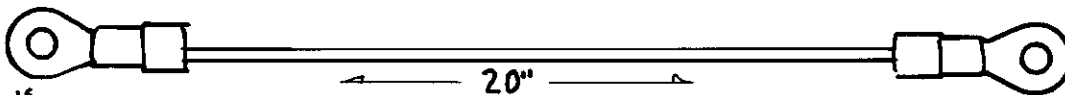
BLUE  
RING-TONGUE

BLUE  
RING-TONGUE



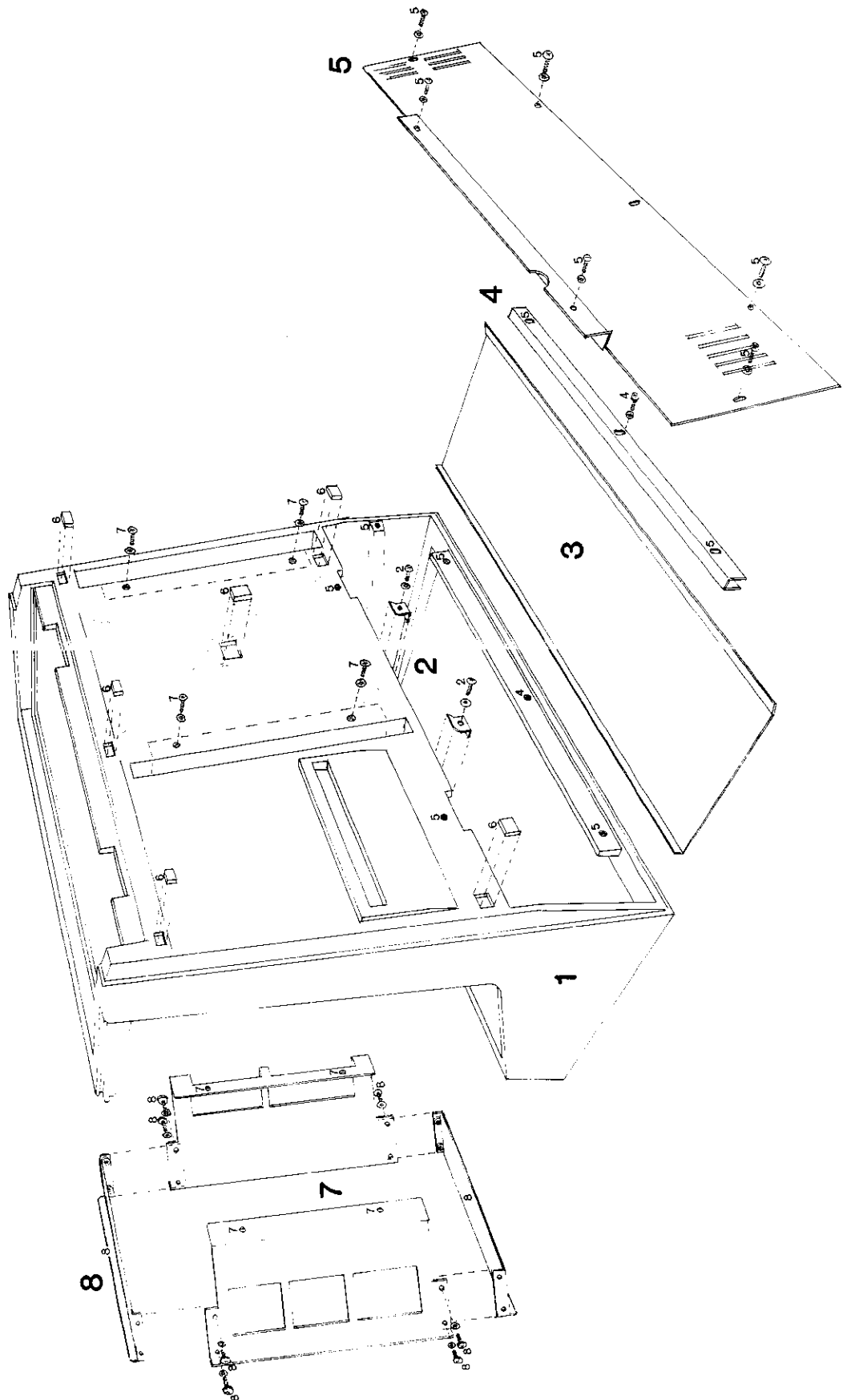
BLUE  
RING-TONGUE

BLUE  
RING-TONGUE



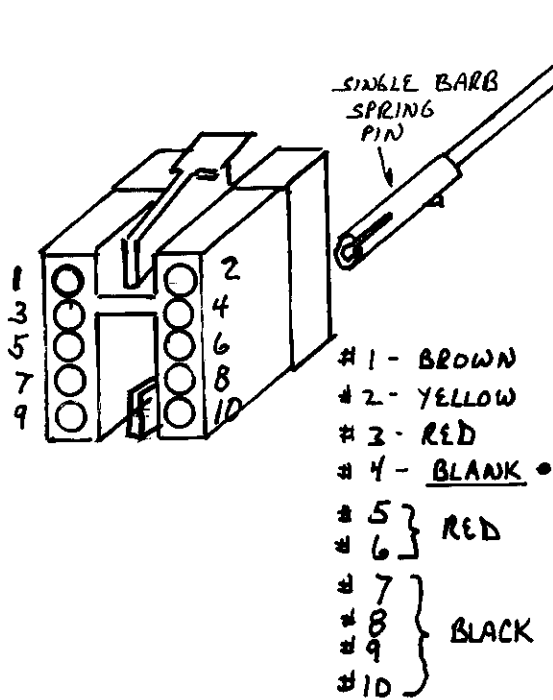
DESK TOP DECISION 1

ASSEMBLY DRAWING: PLASTIC HOUSING, CARD CAGE, BOTTOM & FRONT PANELS

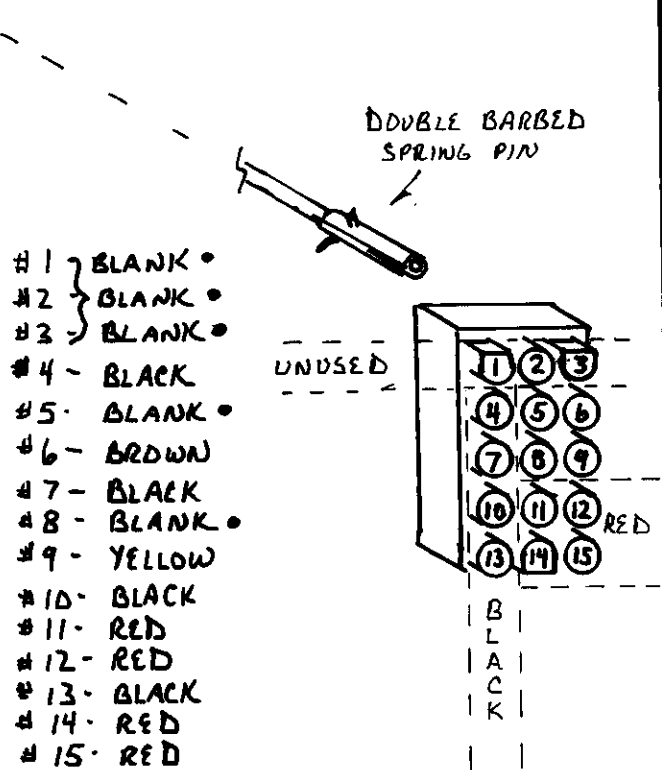


SUB-ASSEMBLY  
DC WIRE HARNESSSES

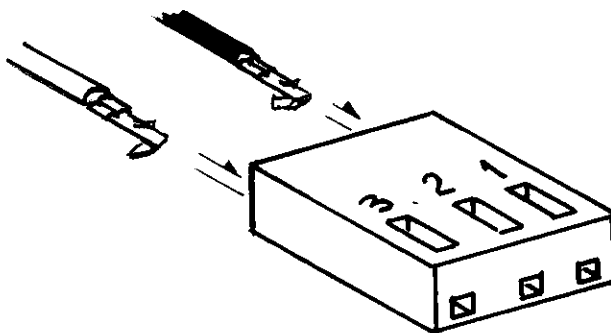
MOTHER BOARD POWER HARNESS



ASSEMBLE 32" LONG MOTHERBOARD  
POWER LEADS AS SHOWN



RESET SWITCH HARNESS



INSERT CONNECTOR PINS INTO  
SOCKET.

BLACK TO SLOT #1  
BLUE TO SLOT #3  
SLOT #2 UNUSED

## DESK TOP DECISION 1

### ASSEMBLY DIRECTIONS: PLASTIC HOUSING, CARD CAGE, BOTTOM & FRONT PANELS

- #1 Place plastic housing front face down on protected surface as shown.
- #2 Install two top cover support clips in the two threaded screw holes located on the underside of the top cross piece of the front face (not visible in the drawing). Use two 8/32 x 3/8" screws and two #8 lock washers.
- #3 Install metal front panel (or optional plastic bezel and small panel) in plastic housing thru bottom opening. Be sure it fits snugly in the slots provided.
- #4 Secure front panel (and or bezel) to plastic housing by installing the metal channel bracket using one 8/32 x 3/8" screw and #8 lock washer threaded into the center hole.
- #5 Install bottom panel using six 8/32 x 3/8" screws and six #8 lock washers.
- #6 Apply adhesive backed rubber feet in the six recessed pockets.
- #7 From the inside, insert the right and left card cage sides (with nylon card guides pre-assembled) through the openings at the bottom of the plastic housing. Secure by screwing four 8/32 x 3/8" screws and four #8 lock washers into the threaded holes on the bottom side. DO NOT TIGHTEN
- #8 Connect the front and back card cage spacers (the lip edge should be on top and pointing towards the outside of the card cage as shown) to the left and right sides of the card cage using eight 6/32 x 5/16" screws and eight #6 lock washers. DO NOT TIGHTEN

SEE NEXT PAGE FOR FURTHER ASSEMBLY INSTRUCTIONS.