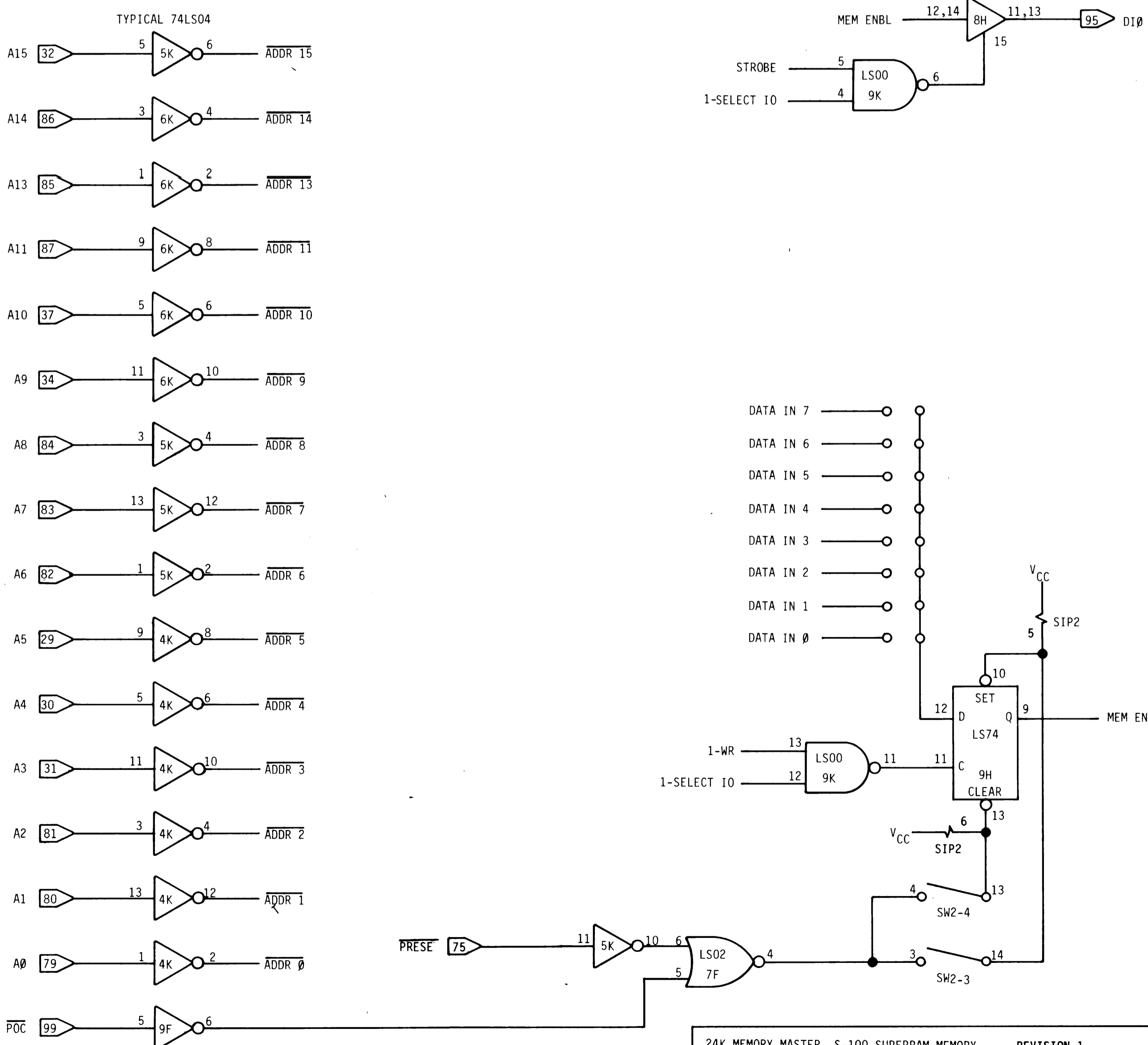
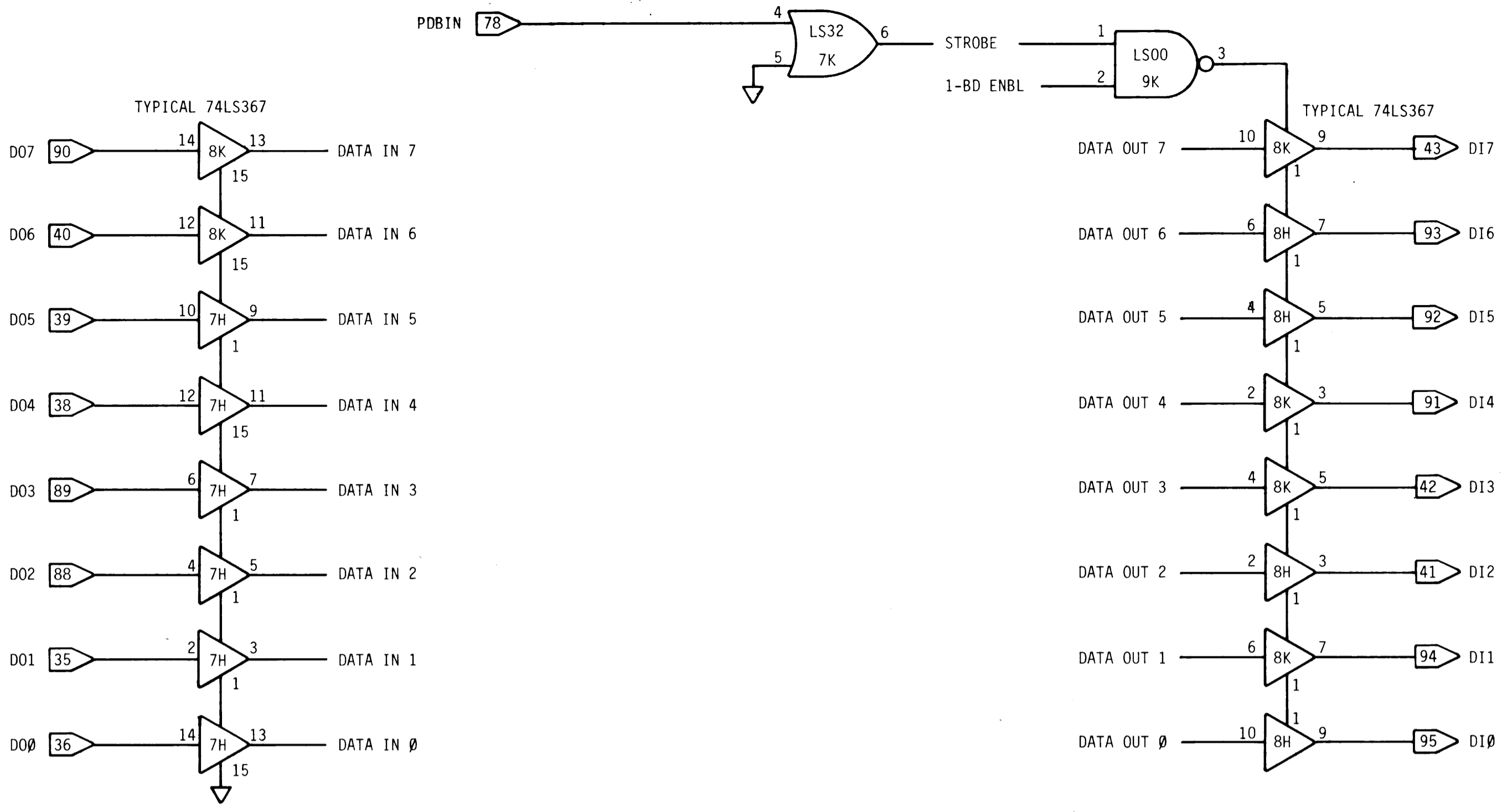
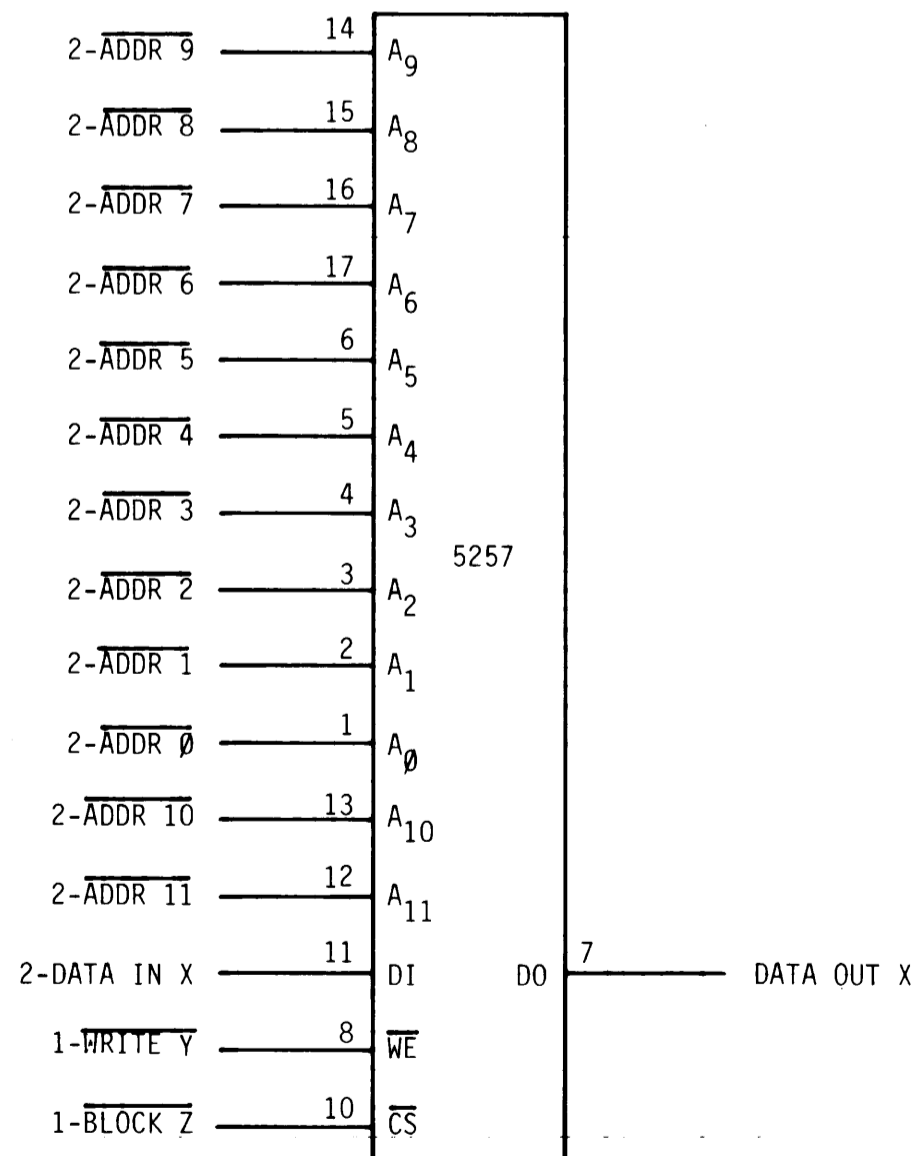


ALL RESISTANCES ARE EXPRESSED IN OHMS



	1	2	3	4	5	6	
B	BANK 5 BIT0	BANK 4 BIT0	BANK 3 BIT0	BANK 2 BIT0	BANK 1 BIT0	BANK 0 BIT0	B
C	BANK 5 BIT1	BANK 4 BIT1	BANK 3 BIT1	BANK 2 BIT1	BANK 1 BIT1	BANK 0 BIT1	C
D	BANK 5 BIT2	BANK 4 BIT2	BANK 3 BIT2	BANK 2 BIT2	BANK 1 BIT2	BANK 0 BIT2	D
E	BANK 5 BIT3	BANK 4 BIT3	BANK 3 BIT3	BANK 2 BIT3	BANK 1 BIT3	BANK 0 BIT3	E
F	BANK 5 BIT4	BANK 4 BIT4	BANK 3 BIT4	BANK 2 BIT4	BANK 1 BIT4	BANK 0 BIT4	F
G	BANK 5 BIT5	BANK 4 BIT5	BANK 3 BIT5	BANK 2 BIT5	BANK 1 BIT5	BANK 0 BIT5	G
H	BANK 5 BIT6	BANK 4 BIT6	BANK 3 BIT6	BANK 2 BIT6	BANK 1 BIT6	BANK 0 BIT6	H
K	BANK 5 BIT7	BANK 4 BIT7	BANK 3 BIT7	BANK 2 BIT7	BANK 1 BIT7	BANK 0 BIT7	K
	1	2	3	4	5	6	



"X" IN THE "DATA IN X" VARIES BETWEEN 0 & 7 DEPENDING ON THE ROW POSITION

"Y" IN THE "WRITE Y" VARIES BETWEEN A & C - COLUMNS 1 & 2 - - A
 COLUMNS 3 & 4 - - B
 COLUMNS 5 & 6 - - C

"Z" IN THE "BLOCK Z" VARIES BETWEEN 0 & 5 DEPENDING ON THE COLUMN POSITION