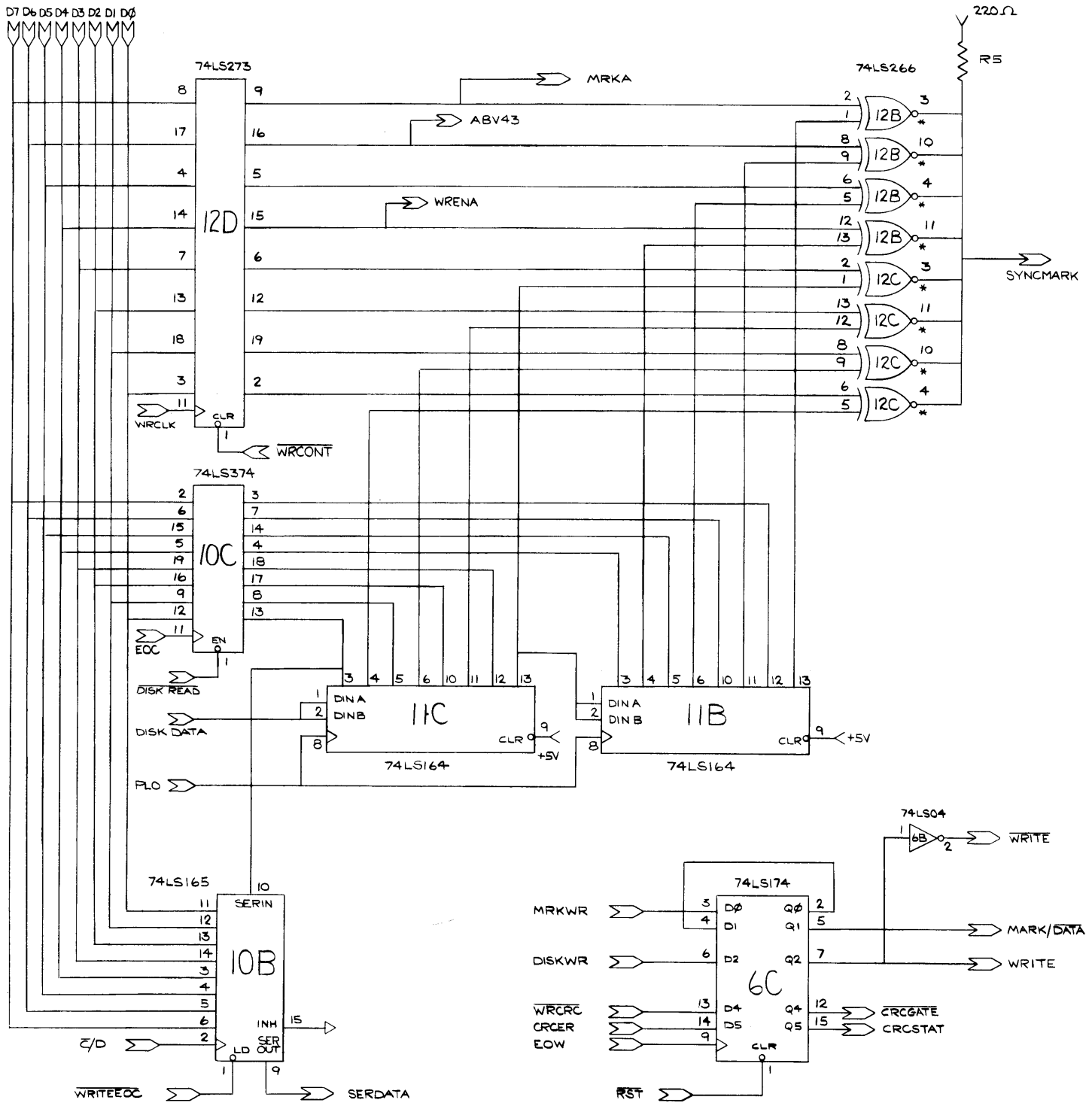
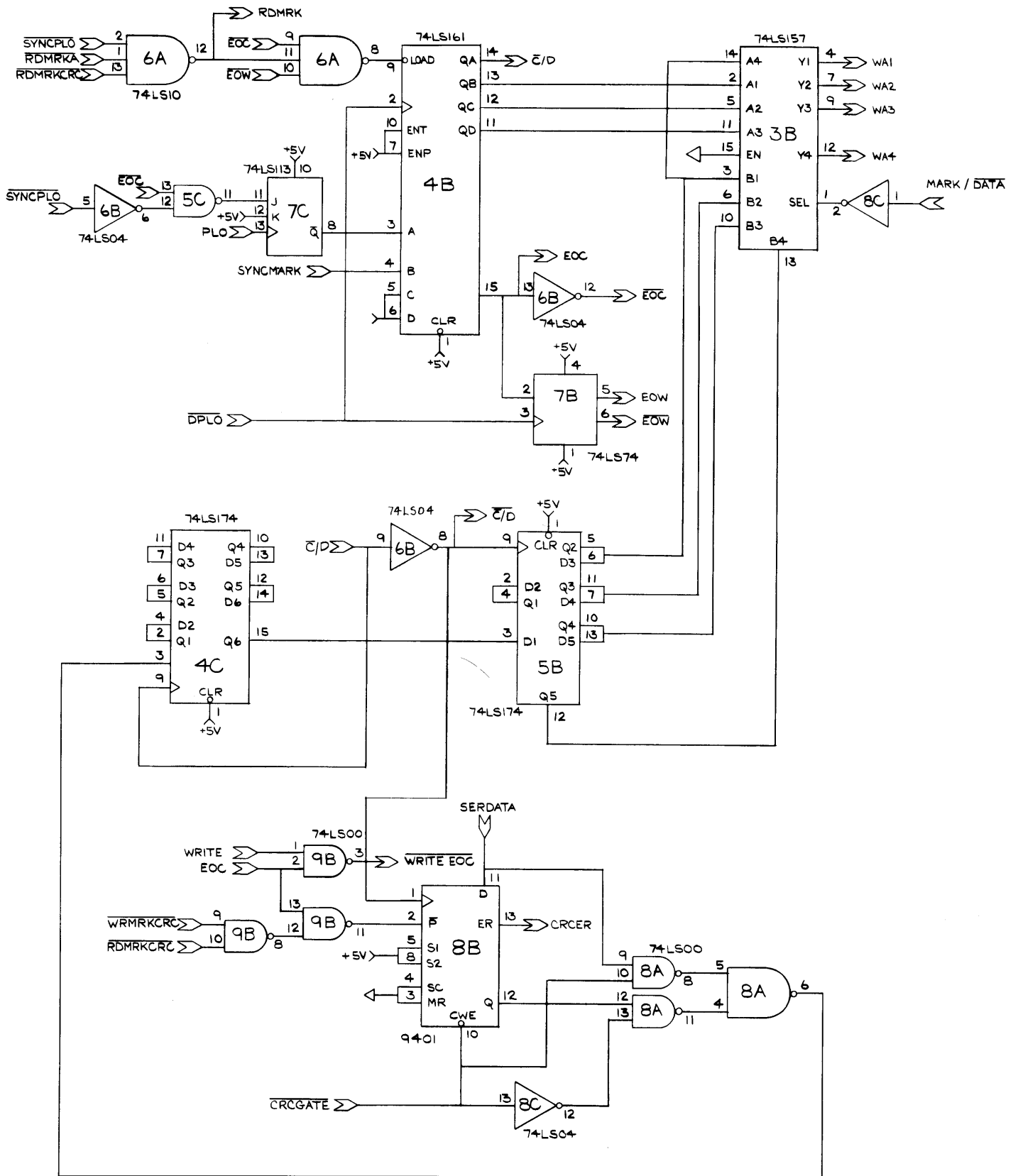


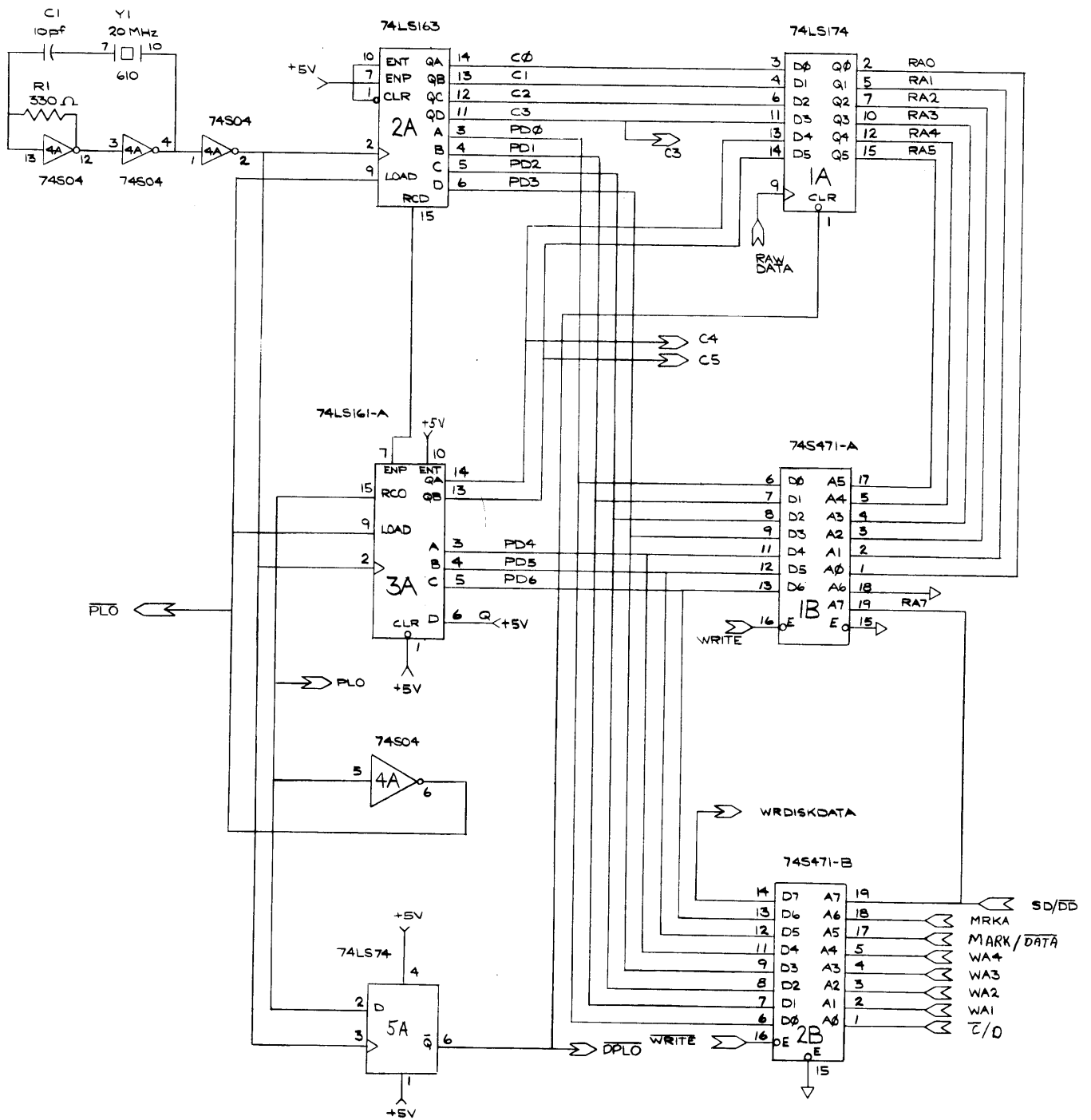
MICROMATION				
DOUBLER				
S-100 BUS INTERFACE				
Revision	2	4	5	
Date	7/21/78	11/27/78	1/2/79	
				page 1 of 7



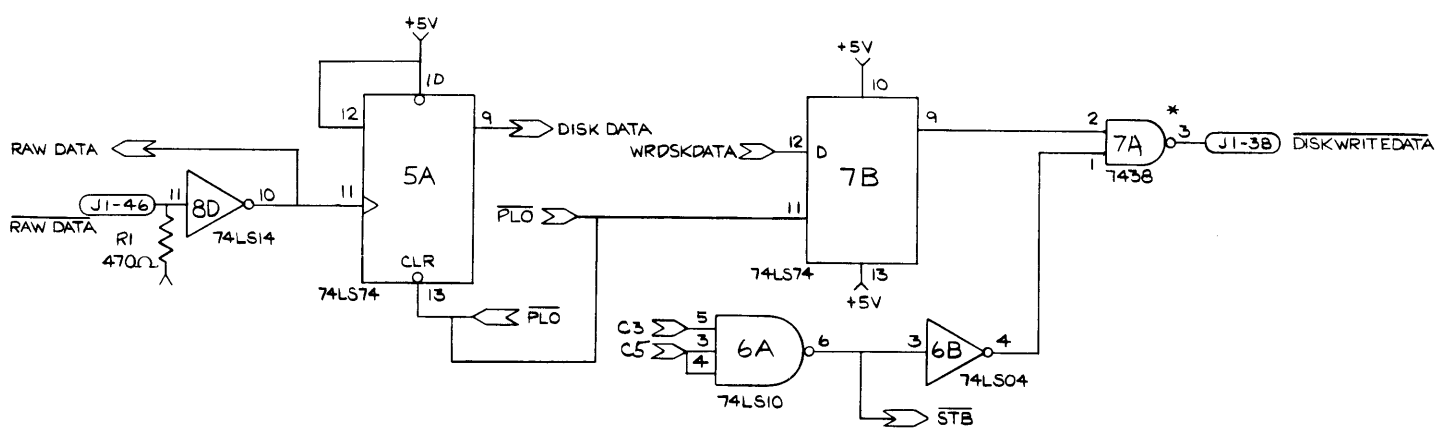
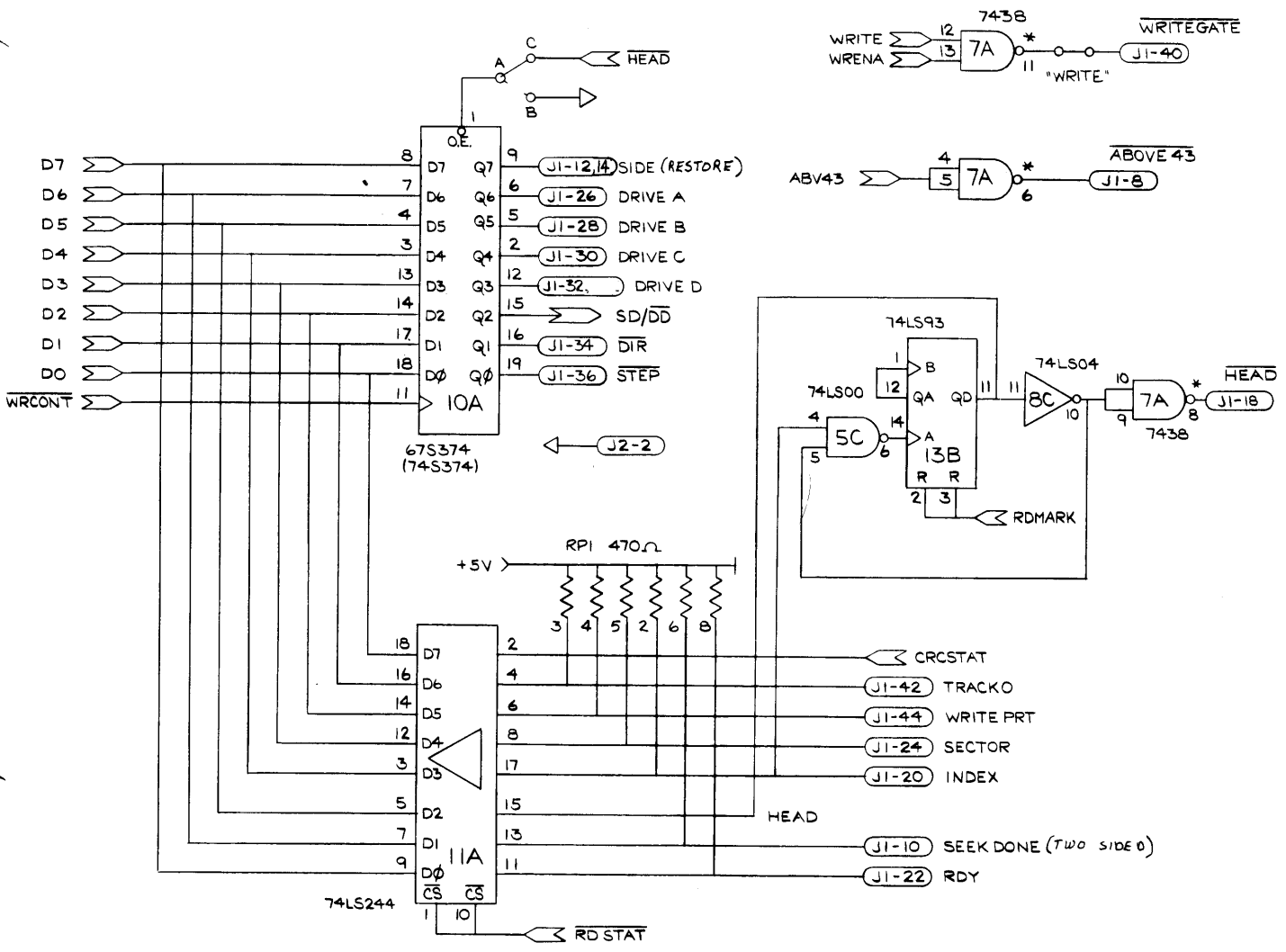
MICROMATION					
DOUBLER					
READ CHANNEL					
Revision	2	4	5		
Date	7/27	11/27	1/21/78		
page 2 of 7					



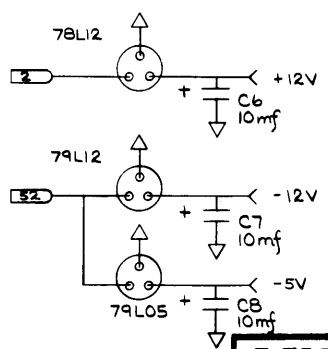
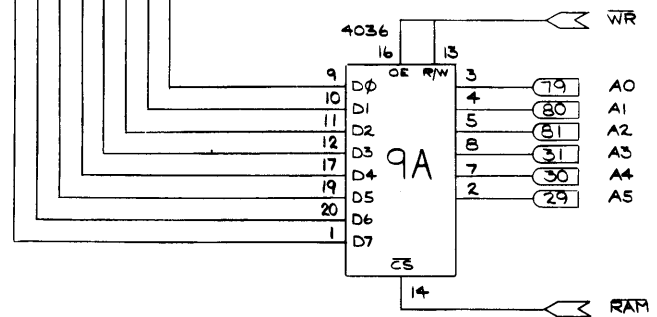
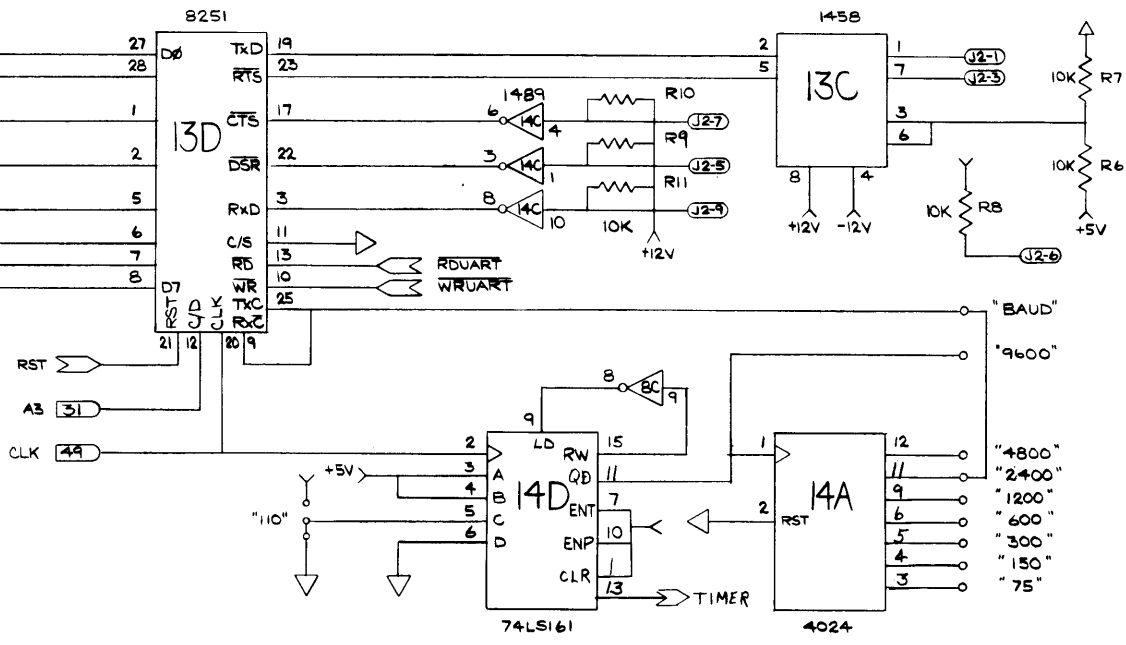
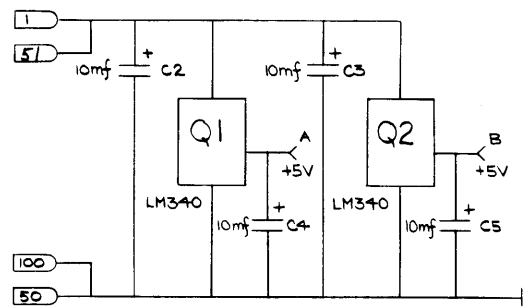
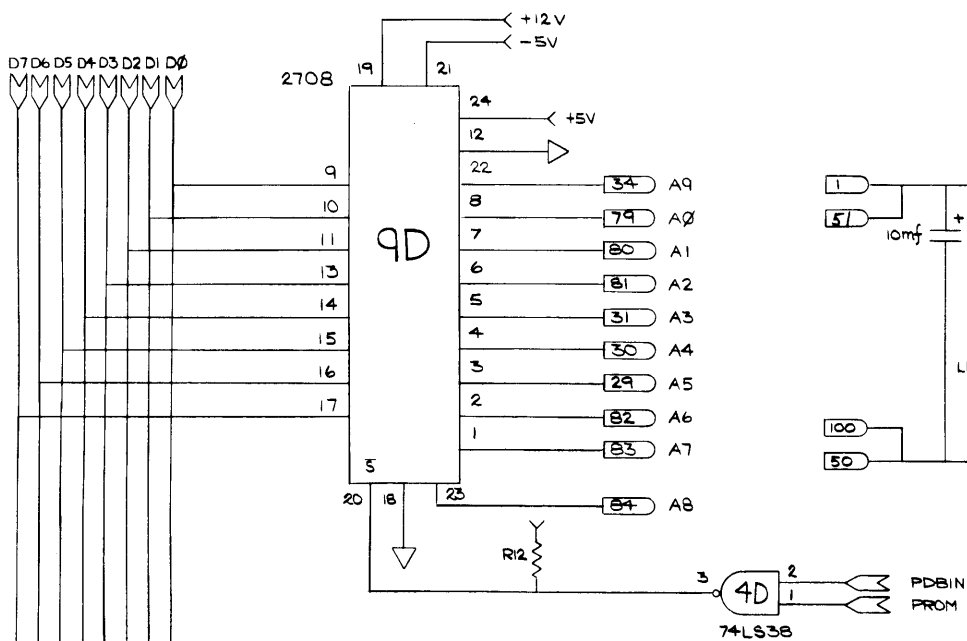
MICROMATION				
DOUBLER				
WRITE CHANNEL				
Revision	2	4	5	
Date	7/27/78	11/27	1/21/79	
page 3 of 7				



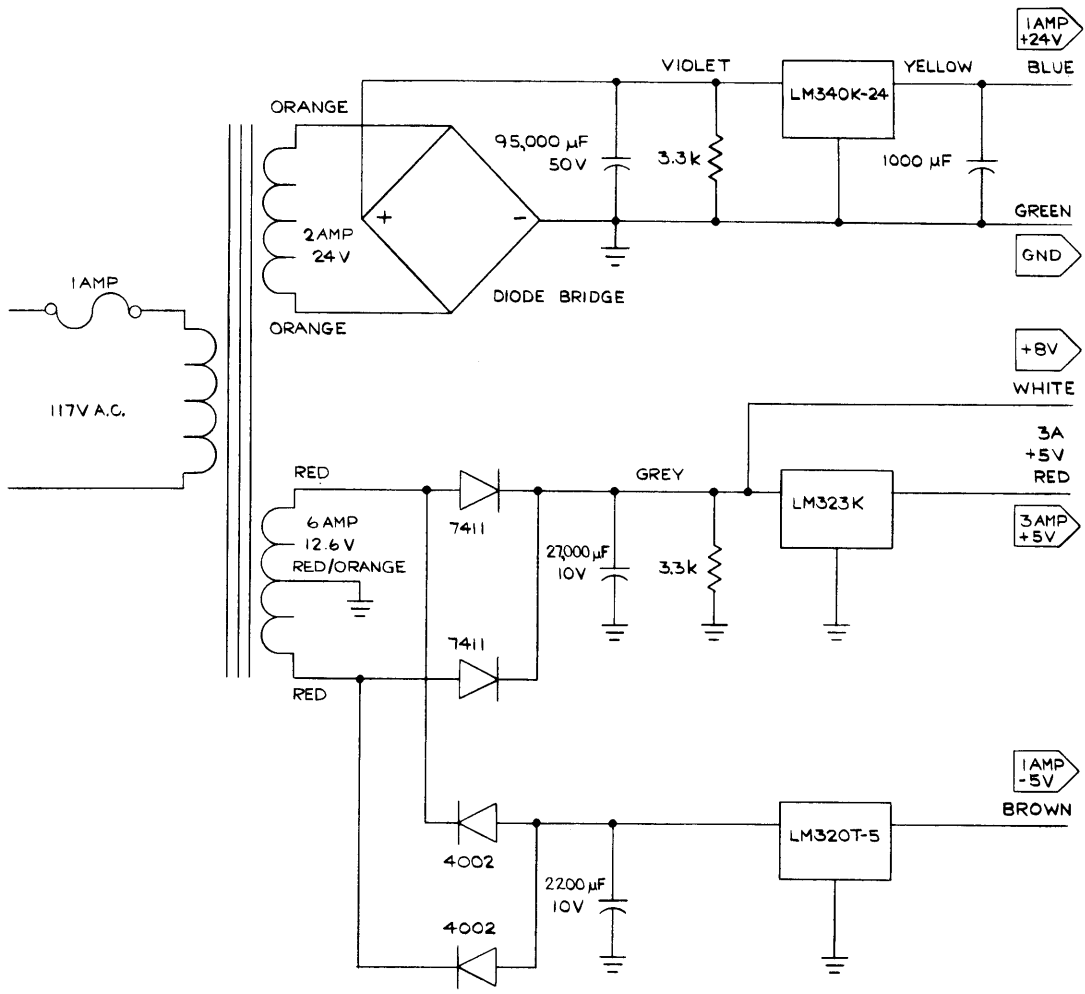
MICROMATION					
DOUBLER					
PLO CIRCUITRY					
Revision	2	4	5		
Date	7/27/8	11/27/12	1/21/19		
page 4 of 7					



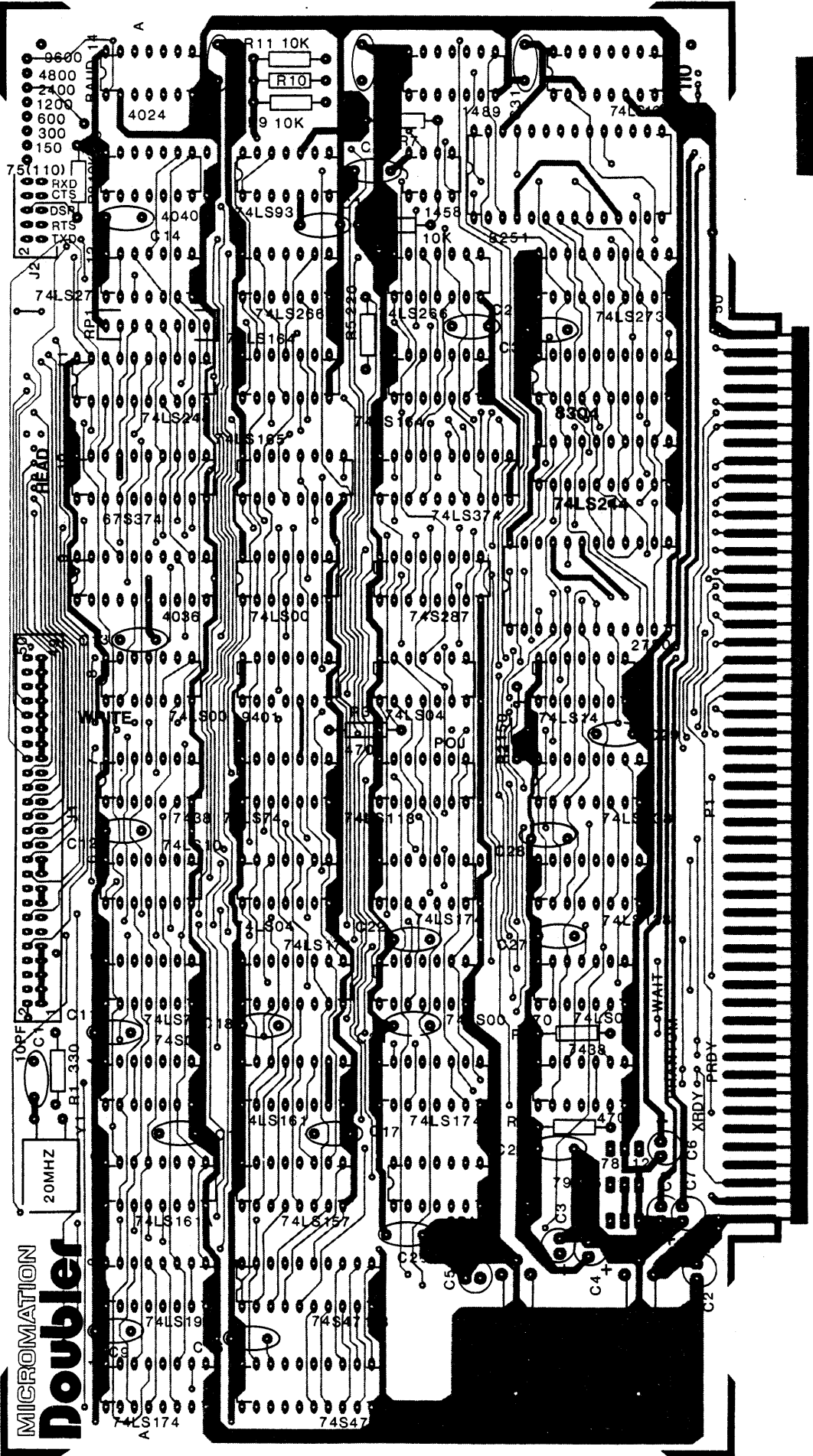
MICROMATION					
DOUBLER					
DRIVE INTERFACE					
Revision	2	4	5		
Date	7/21	11/27	1/21		
page 5 of 7					



MICROMATION				
DOUBLER				
UART / MEMORY				
Revision	2	4	5	
Date	1/2/78	11/27	1/21/79	
page 6 of 7				



MICROMATION					
DOUBLER					
DISK POWER					
Revision	2	4	5		
Date	7/21/78	11/27	1/2/79		
page 7 of 7					



MICROMATION
Doublet

COMPONENT SIDE
SILKSCREEN

MICROMATION