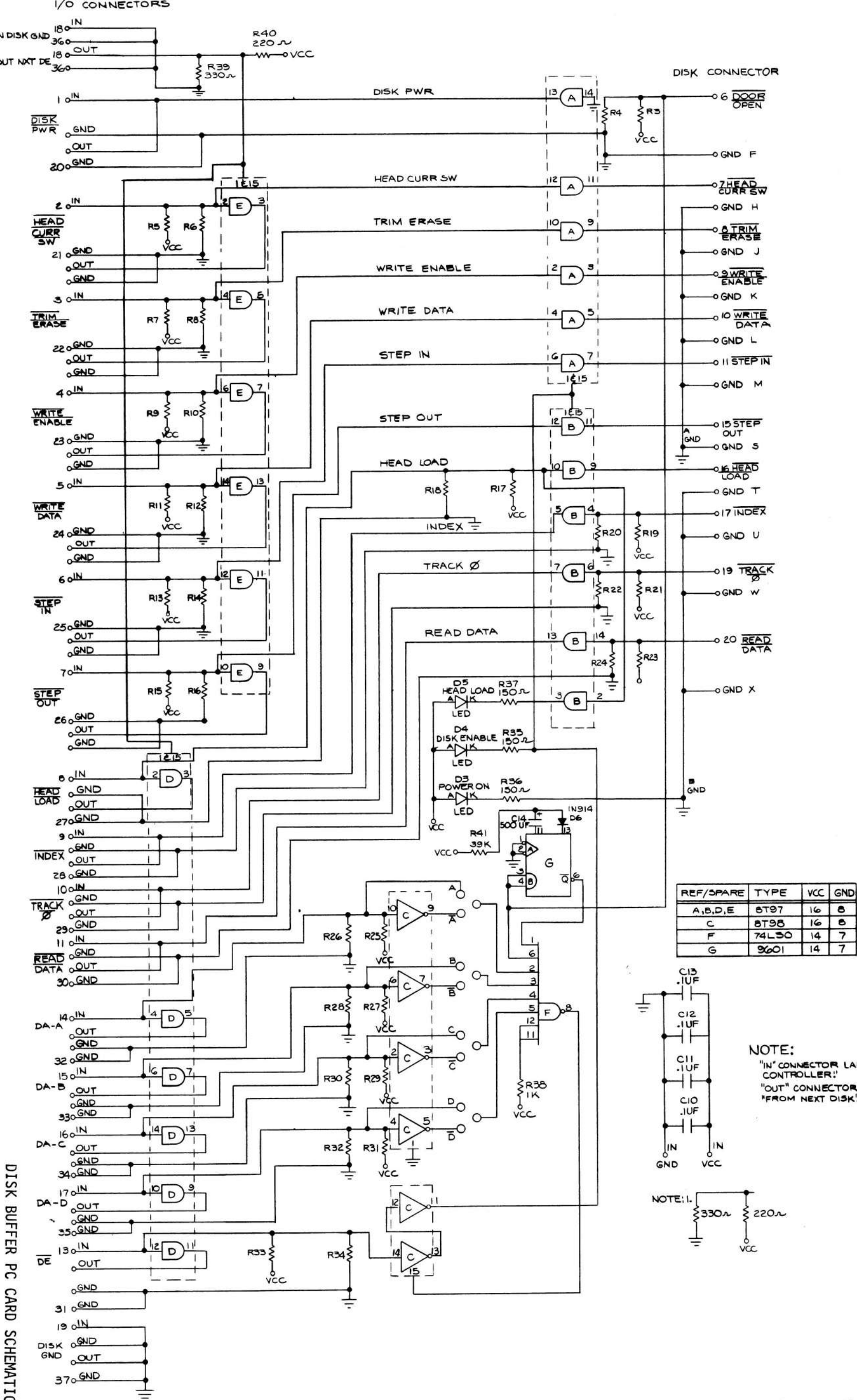


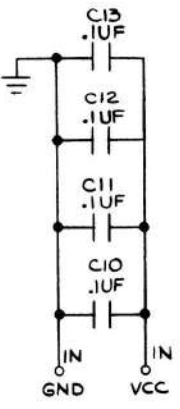
\* HEATSINK ON CHASSIS

DISK DRIVE POWER SUPPLY

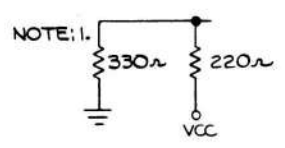




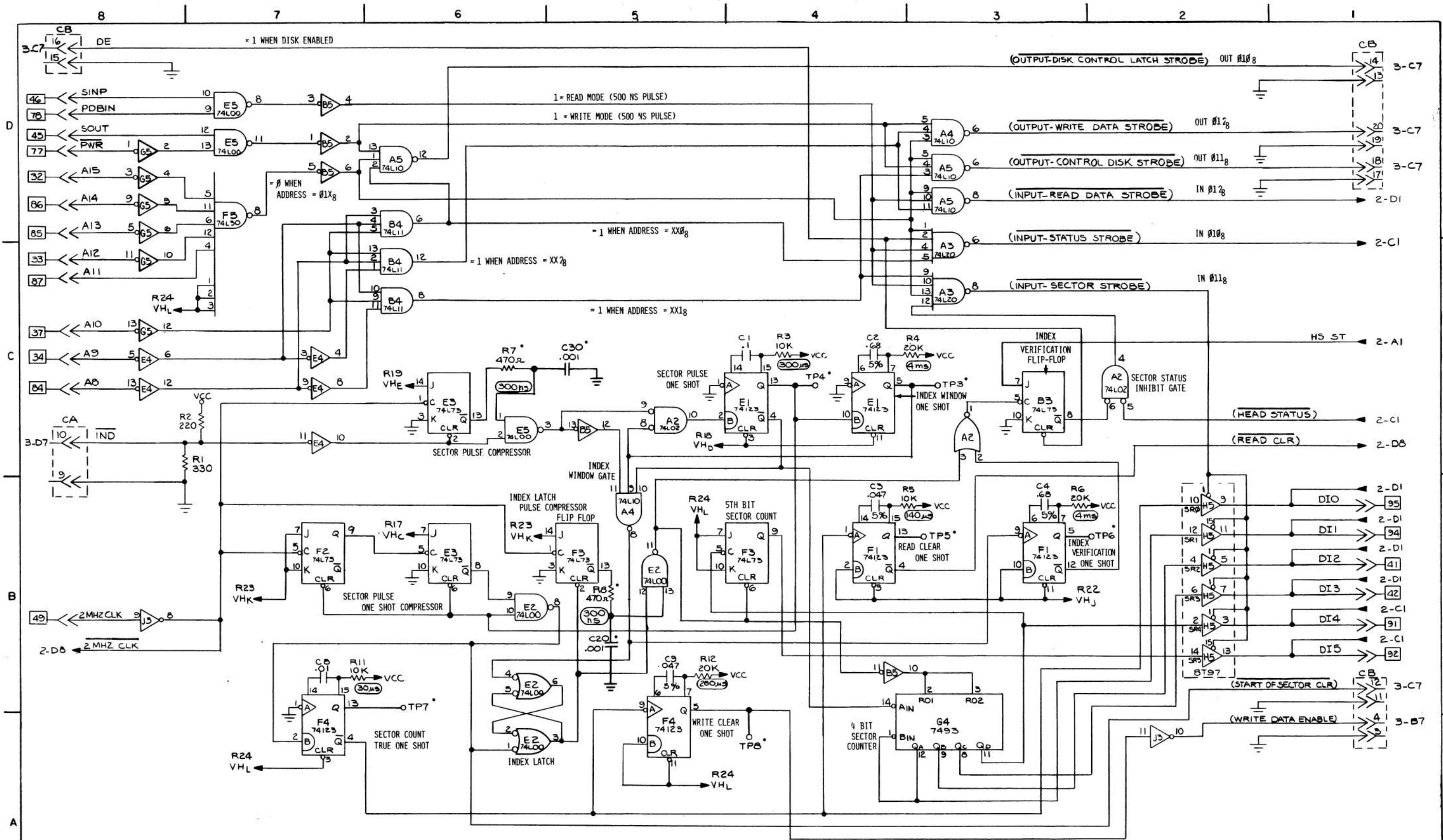
REF/SPARE	TYPE	VCC	GND
A,B,D,E	8T97	16	8
C	8T98	16	8
F	74LS00	14	7
G	9601	14	7



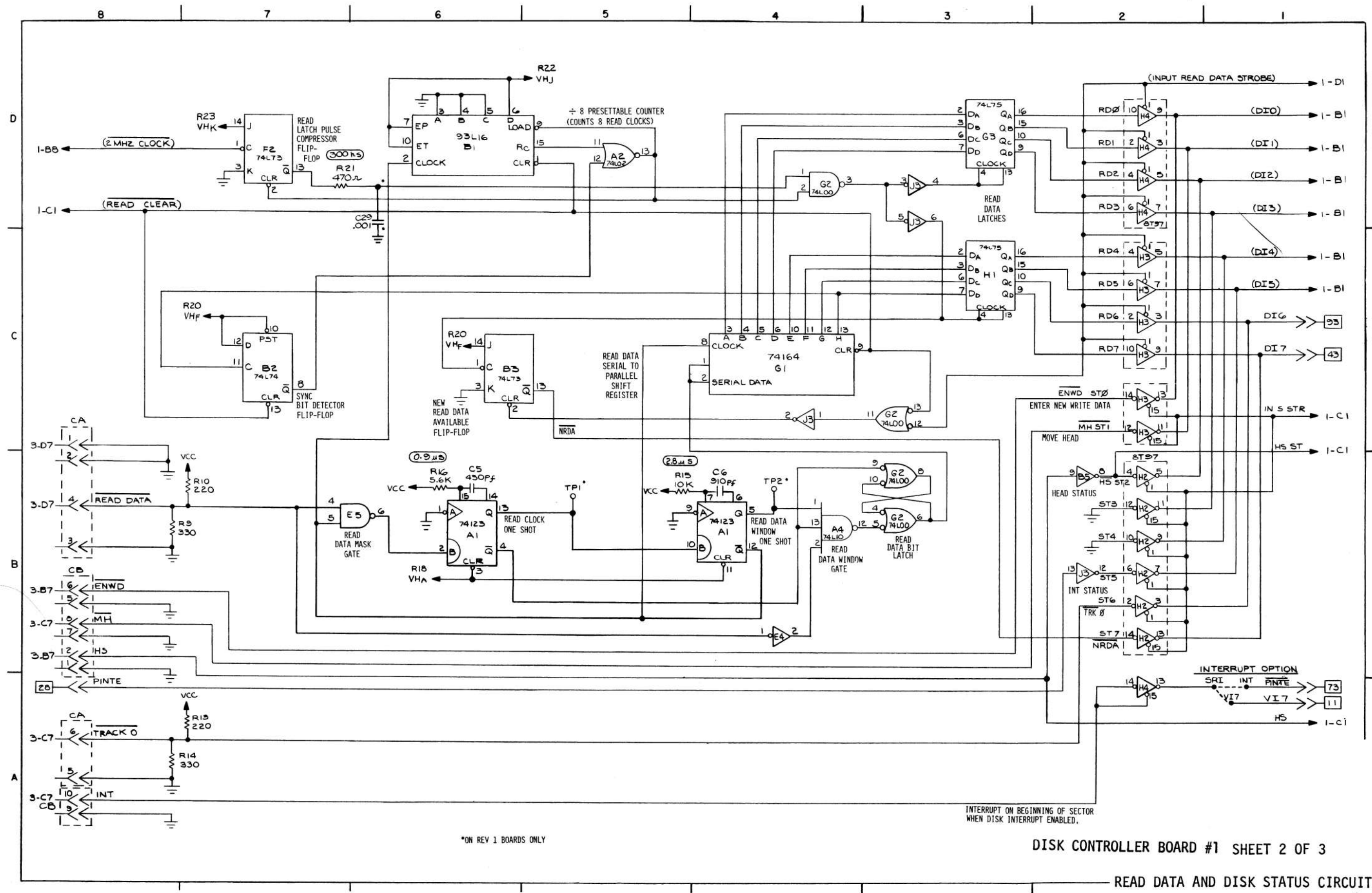
NOTE:  
 "IN" CONNECTOR LABELED "TO CONTROLLER!"  
 "OUT" CONNECTOR LABELED "FROM NEXT DISK!"

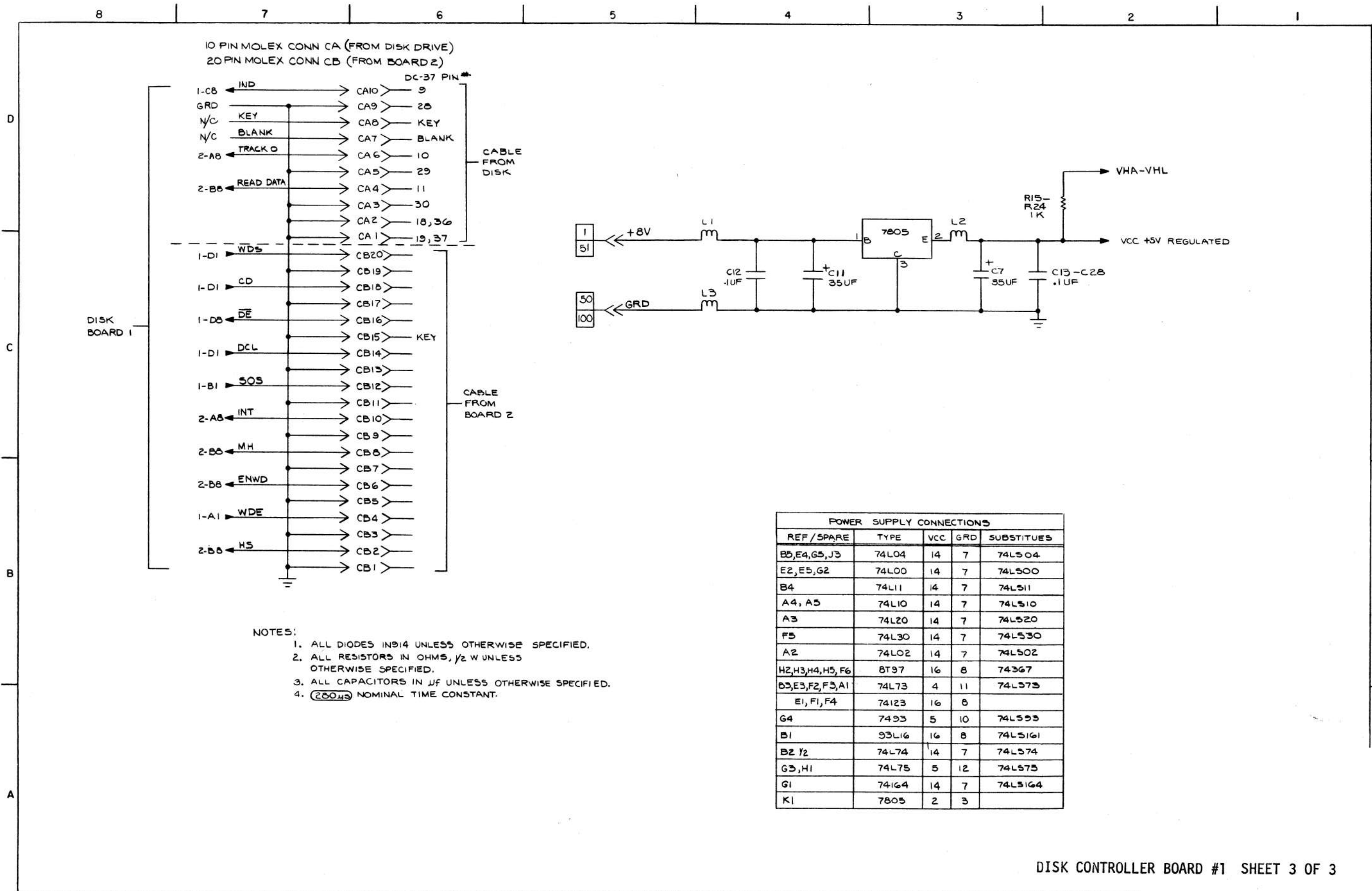


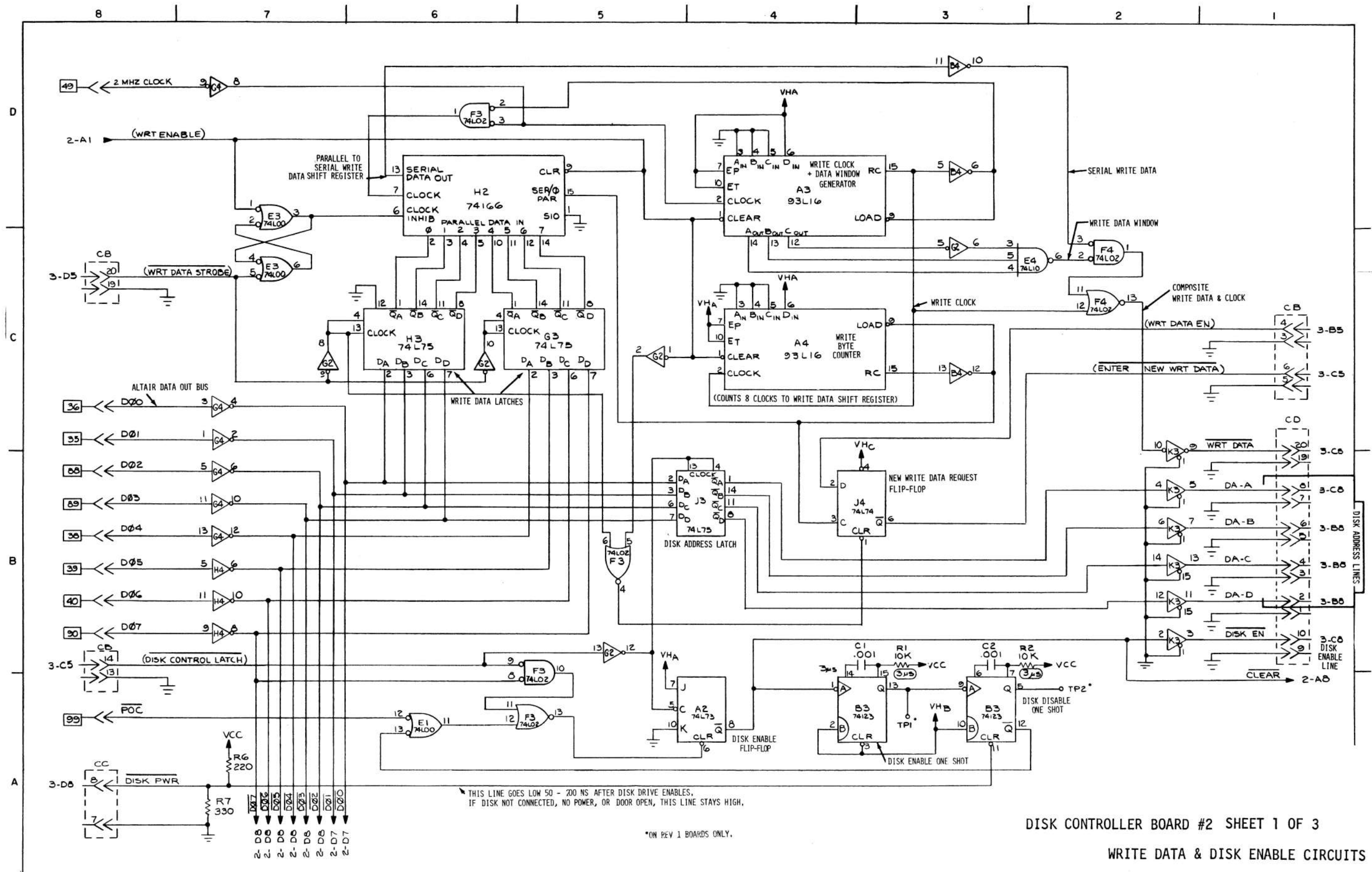
DISK BUFFER PC CARD SCHEMATIC



\* ON REV 1 BOARD ONLY

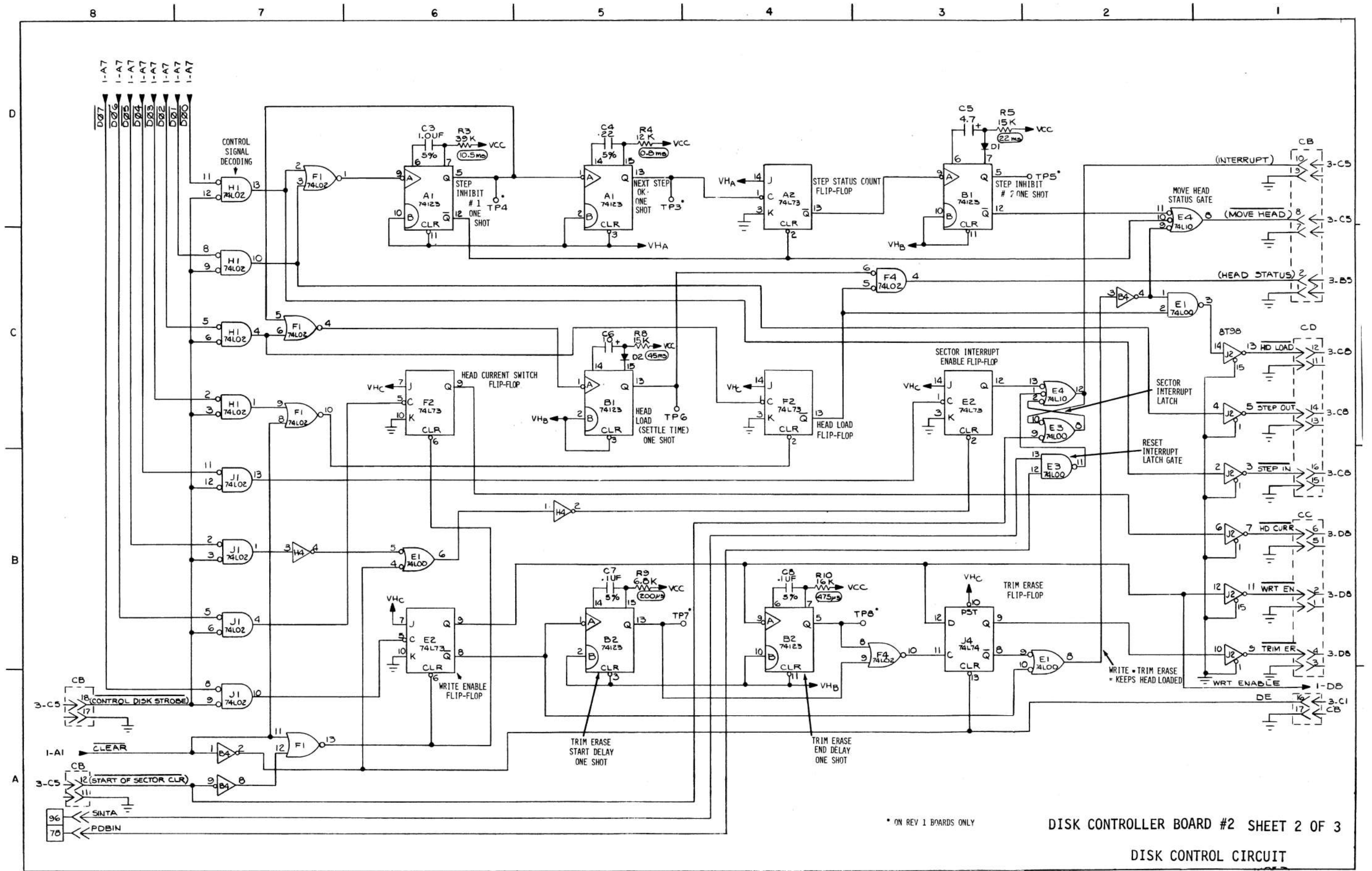




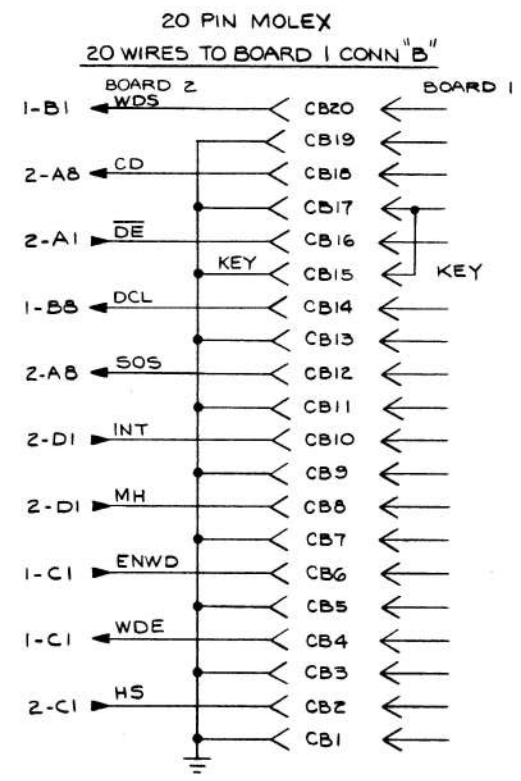
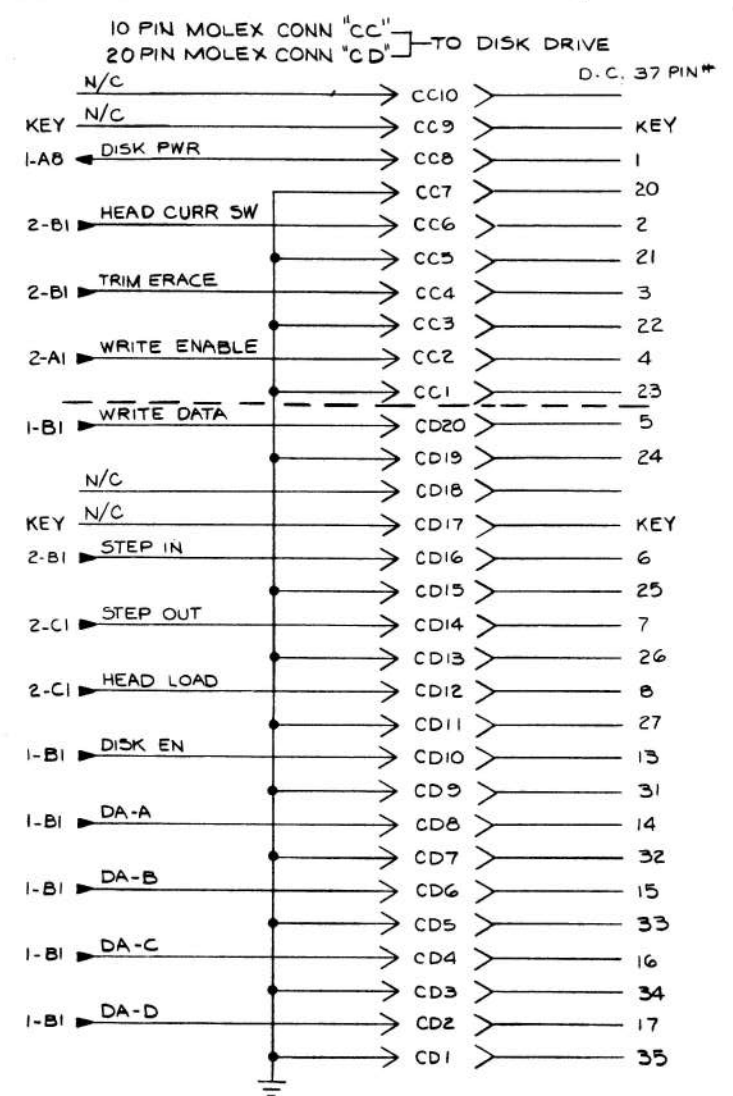


THIS LINE GOES LOW 50 - 200 NS AFTER DISK DRIVE ENABLES.  
IF DISK NOT CONNECTED, NO POWER, OR DOOR OPEN, THIS LINE STAYS HIGH.

\*ON REV 1 BOARDS ONLY.







POWER CONNECTIONS				
REF	TYPE	VCC	GRD	SUBSTITUTIONS
F1,F3,F4,H1,J1	74LO2	14	7	74LS02
E1,E3	74LOO	14	7	74LS00
B4,G2,G4,H4	74LO4	14	7	74LS04
J2	8T98	16	8	74LS68
E4	74L10	14	7	74LS10
H2	74166	16	8	74LS166
G3,H3,J3	74L75	5	12	74LS75
A3,A4	93L16	16	8	74LS161
J4	74L74	14	7	74LS74
A2,E2,F2	74L73	4	11	74LS73
A1,B1,B2,B3	74123	16	8	
K3	8T97	16	8	74367
L1	7805	2	3	

- NOTES:
1. ALL RESISTORS 1/2 W UNLESS SPECIFIED.
  2. ALL CAPACITORS IN UF.
  3. ALL DIODES 1N914.
  4. (40ms) NOMINAL TIME CONSTANT.

