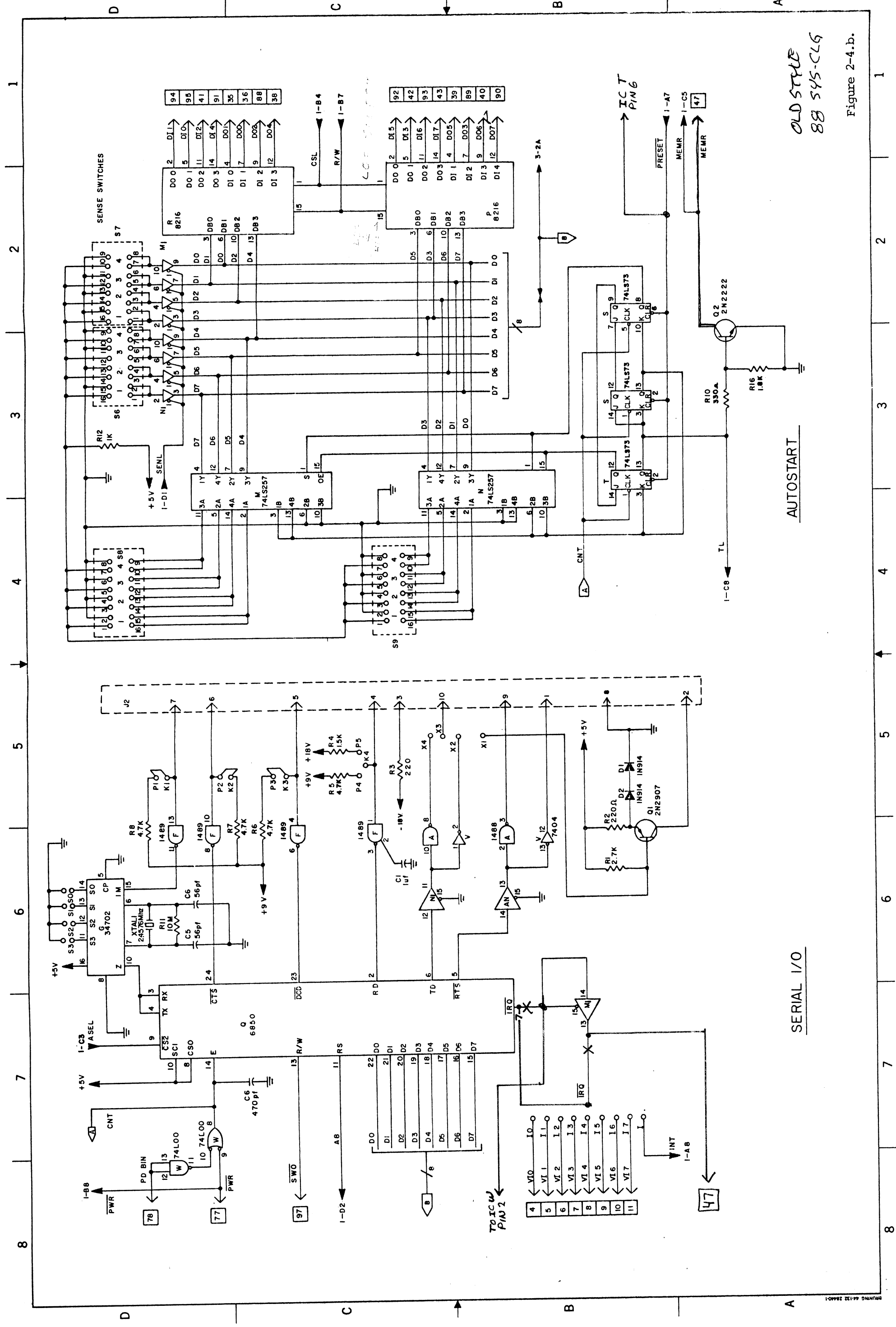


Figure 2-4.a.
OLD STYLE
 Turnkey Module Schematic
 88 545-CLG

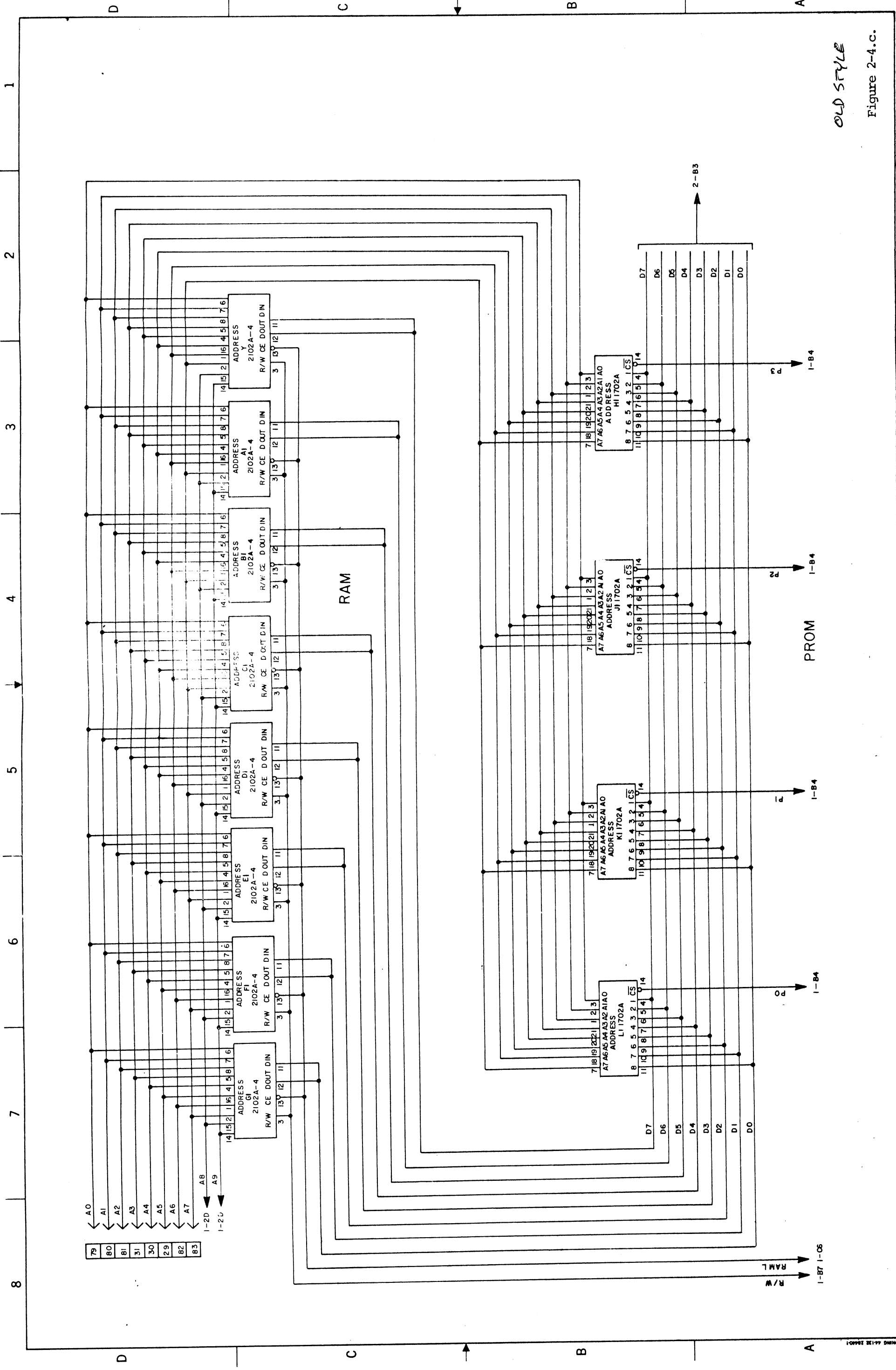


OLD STYLE
88 SYS-CLG

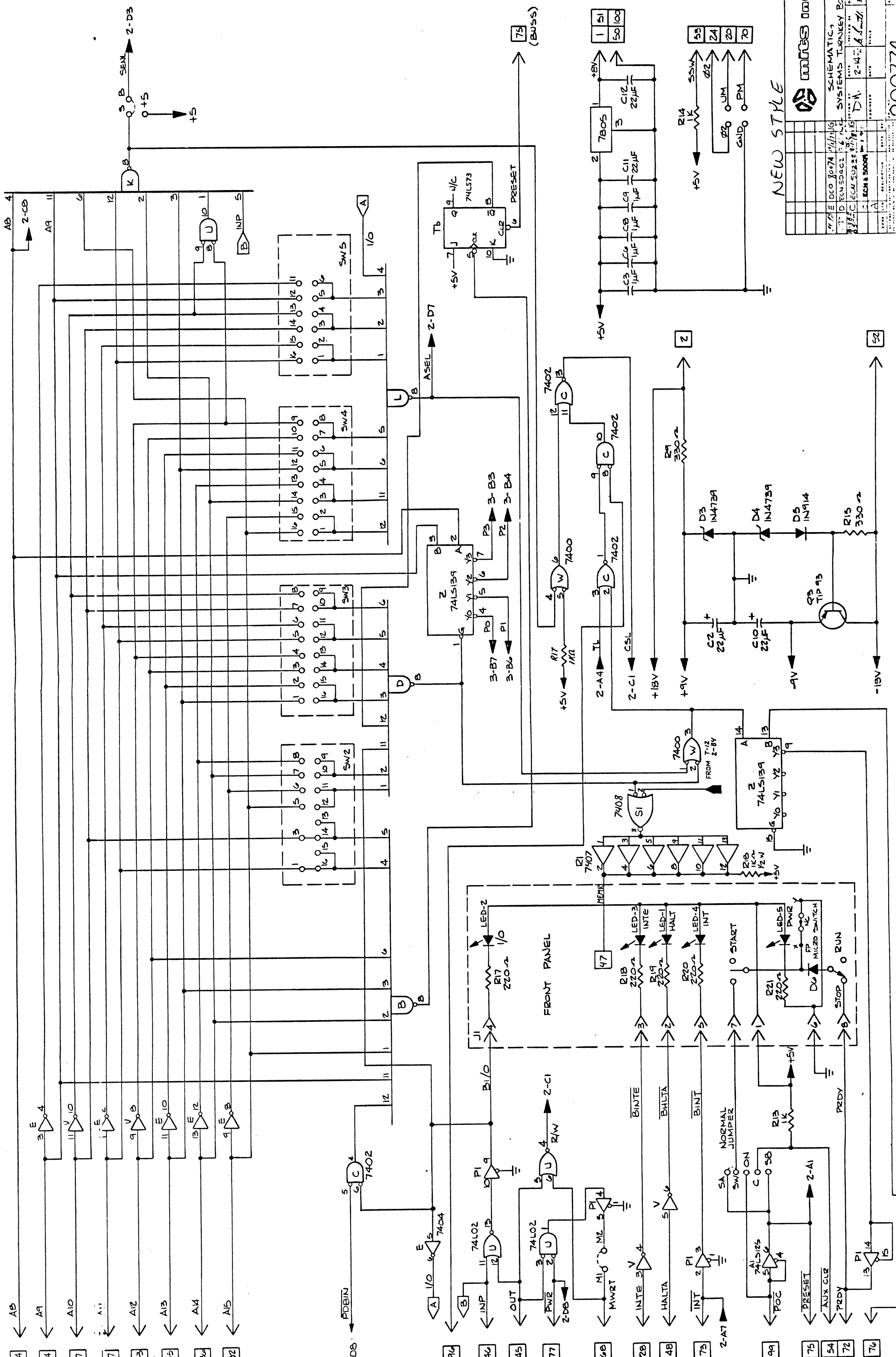
Figure 2-4.b.

AUTOSTART

SERIAL I/O



OLD STYLE
Figure 2-4.c.



NEW STYLE

DATE	10/1/74	REV	1
DESIGNED BY	DCO 80074	CHECKED BY	10/1/74
DRAWN BY	ECN 5002	APPROVED BY	10/1/74
TESTED BY	ECN 5022	DATE	10/1/74
DATE	10/1/74	DATE	10/1/74
DATE	10/1/74	DATE	10/1/74
DATE	10/1/74	DATE	10/1/74
DATE	10/1/74	DATE	10/1/74
DATE	10/1/74	DATE	10/1/74
DATE	10/1/74	DATE	10/1/74

SYSTEMS TURKEY BOARD
 SCHEMATIC
 2-147
 3-278

75 (BUSS)

75 (BUSS)

75 (BUSS)

75 (BUSS)

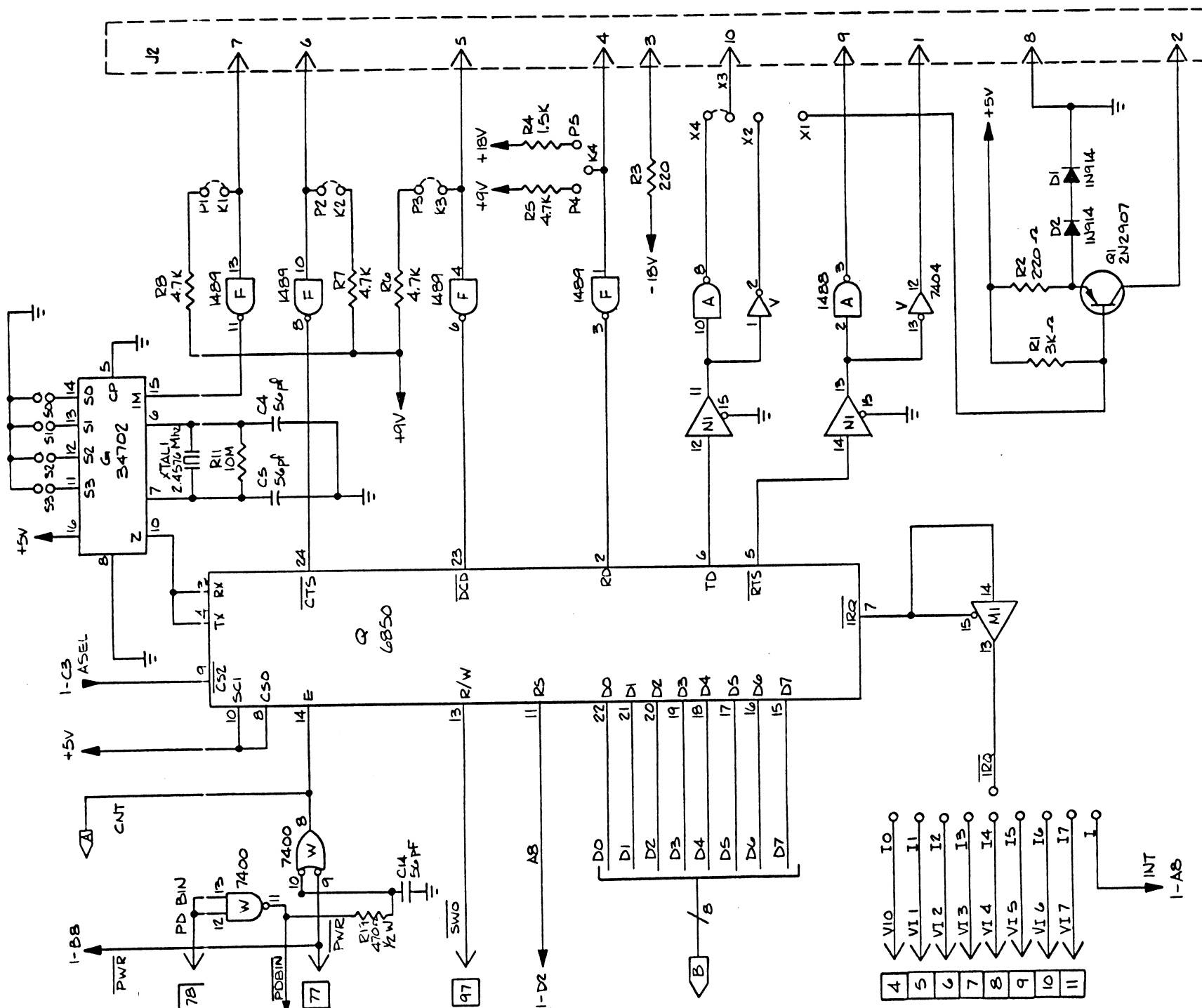
75 (BUSS)

75 (BUSS)

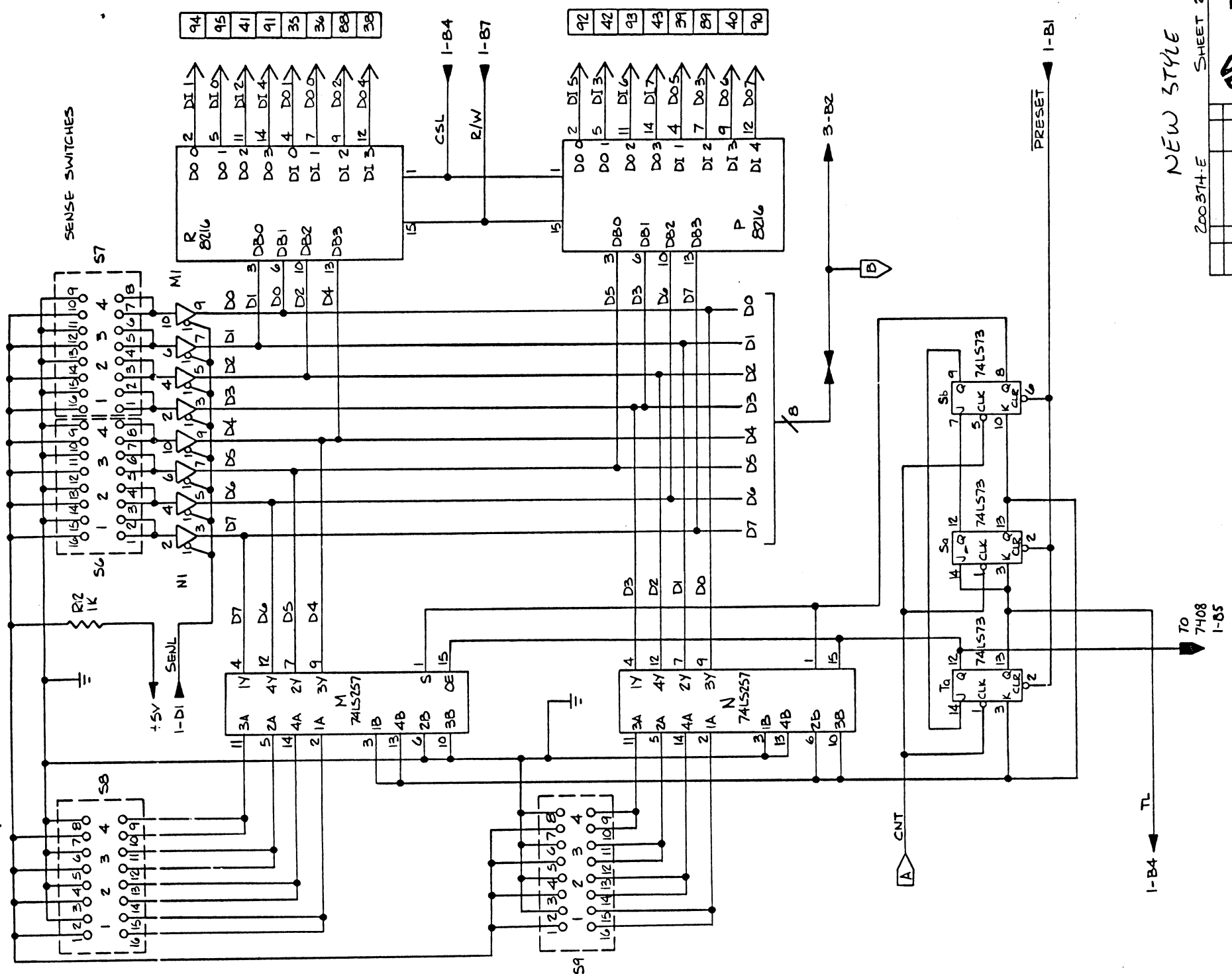
75 (BUSS)

75 (BUSS)

75 (BUSS)



SERIAL I/O



SENSE SWITCHES

TO 7408 1-B5

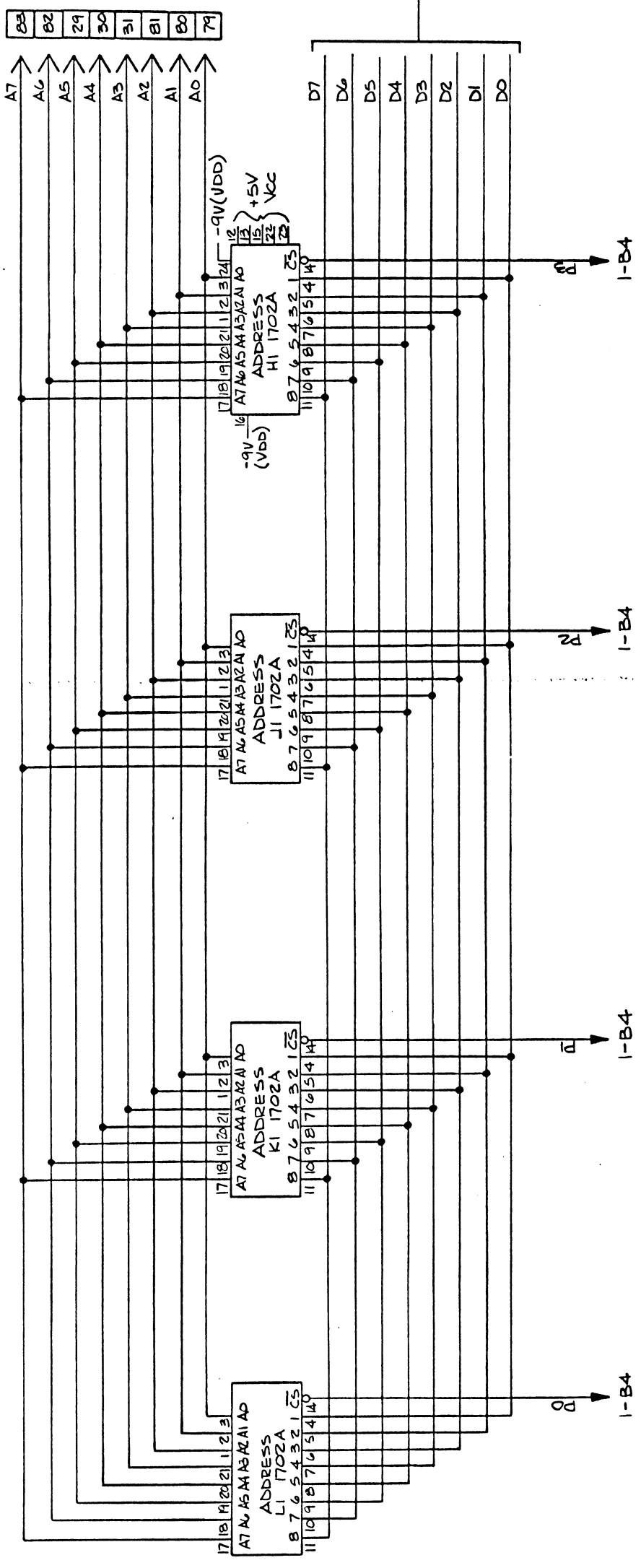
NEW STYLE

200374-E SHEET 2 OF 3

REV	DATE	BY	CHKD	APP'D
1	10/17/74	D.M.		
2	11/16/74			
3				
4				
5				
6				
7				
8				
9				
10				
11				
12				
13				
14				
15				
16				
17				
18				
19				
20				
21				
22				
23				
24				
25				
26				
27				
28				
29				
30				
31				
32				
33				
34				
35				
36				
37				
38				
39				
40				
41				
42				
43				
44				
45				
46				
47				
48				
49				
50				
51				
52				
53				
54				
55				
56				
57				
58				
59				
60				
61				
62				
63				
64				
65				
66				
67				
68				
69				
70				
71				
72				
73				
74				
75				
76				
77				
78				
79				
80				
81				
82				
83				
84				
85				
86				
87				
88				
89				
90				
91				
92				
93				
94				
95				
96				
97				
98				
99				
100				

SCHEMATIC,
SYSTEMS TURNKEY BOARD
D.M.
2-16-74

AUTO START



REF DES	PART #	LAND PIN	VCC PIN	# OF PINS
U1,K1,J1,H1	1702A	—	12,22,23	24
B1,V	7404	7	14	14
U1,C	7402	7	14	14
A1	74LS125	7	14	14
Z	74LS139	8	16	16
W	7400	7	14	14
R1	7407	7	14	14
T,S	74LS75	11	4	14
BAD,L,K	74LS30	7	14	14
P1,N1,M1	74367	8	16	16
F	1489	7	14	14
Q	6850	1	12	24
M1,N	74LS257	8	16	16
R,P	B216	8	16	16
S1	7408	7	14	14
A	1488	7	14	14

PROM

NEW STYLE

SCHEMATIC

SYSTEMS TURNKEY BOARD

DATE: 2-15-78

20037A

3 of 3

E