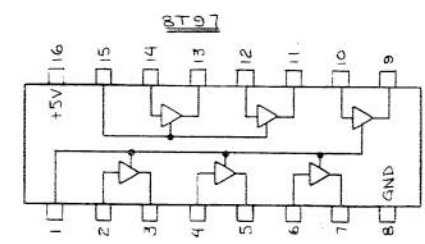
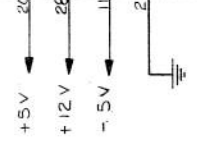
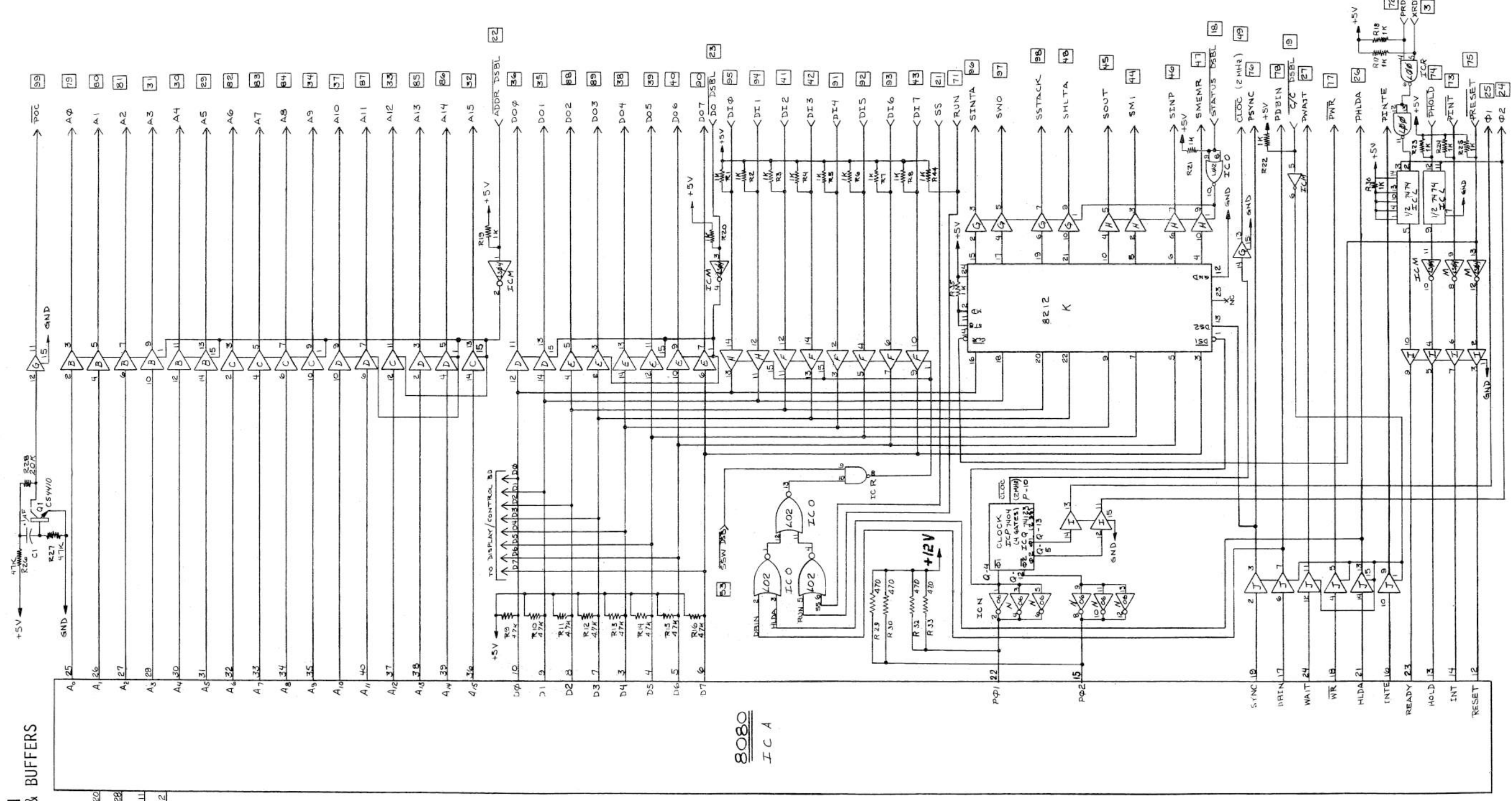
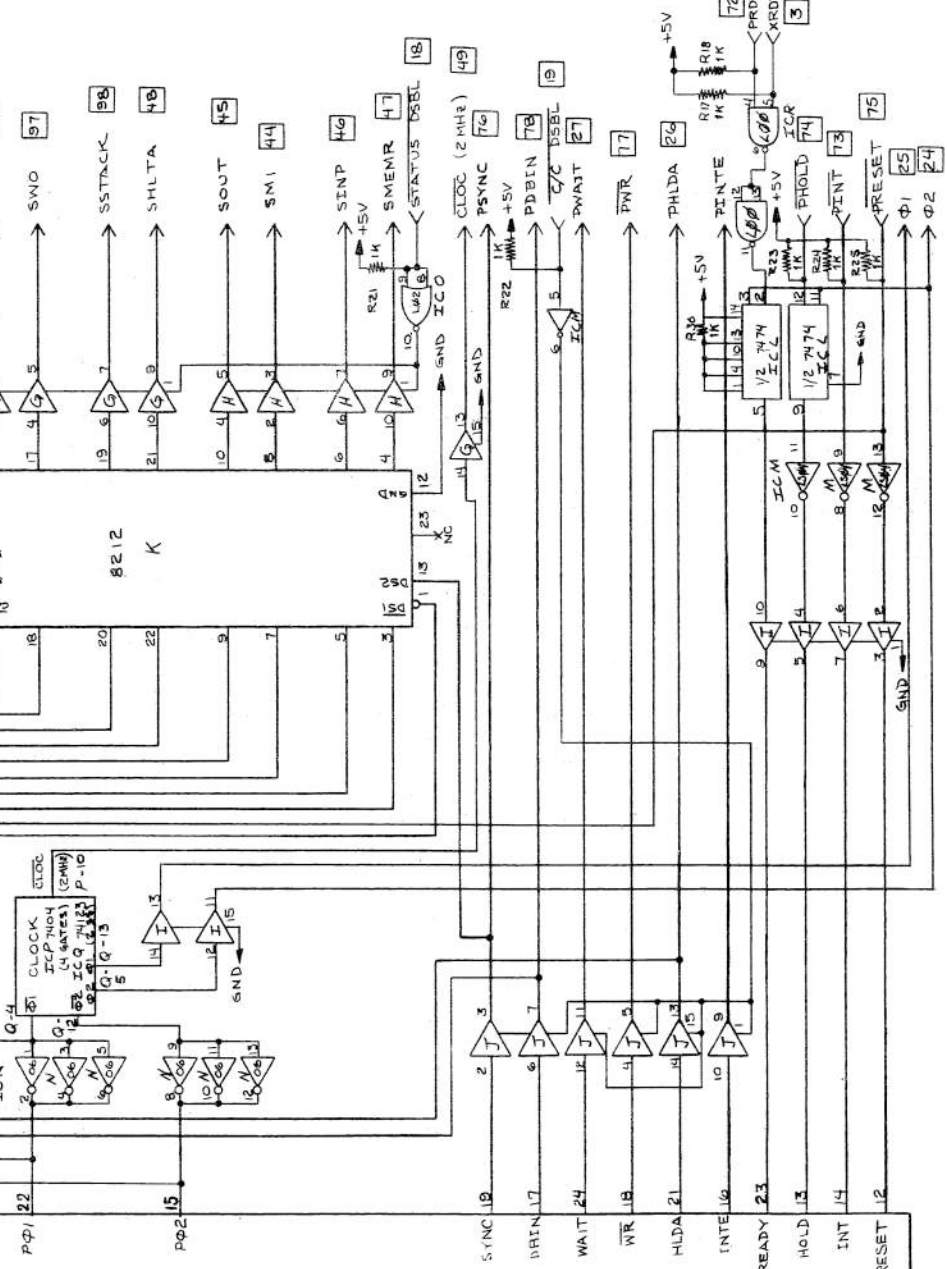
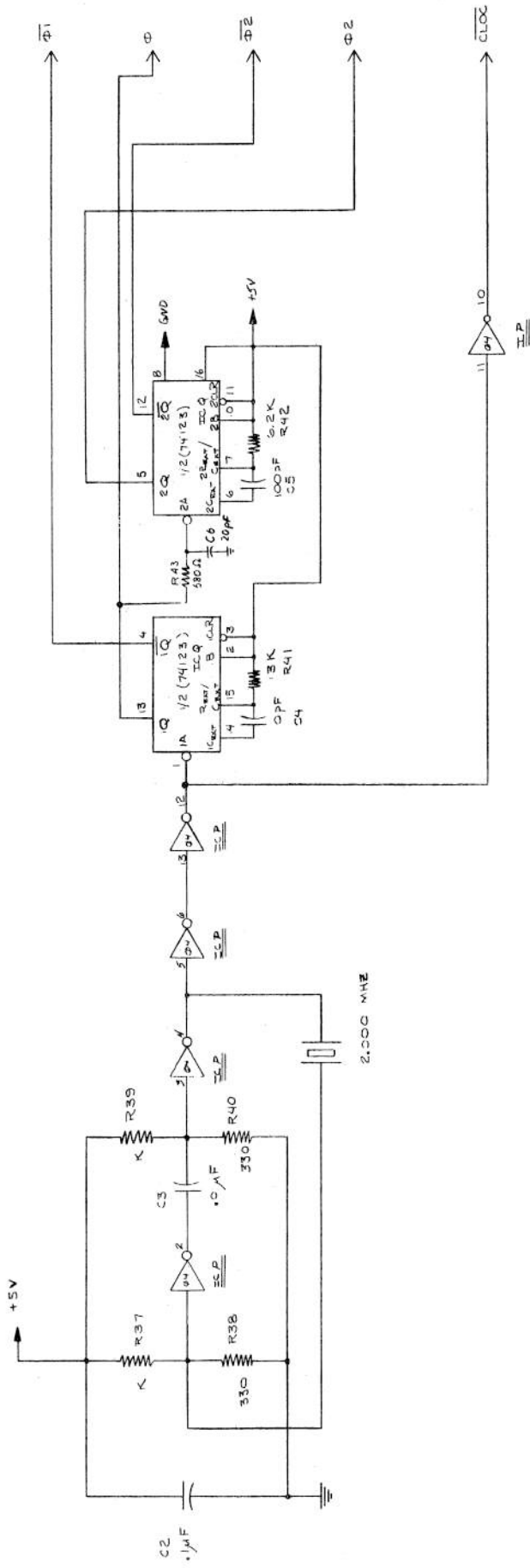


880-101
COMPUTER CPU & BUFFERS

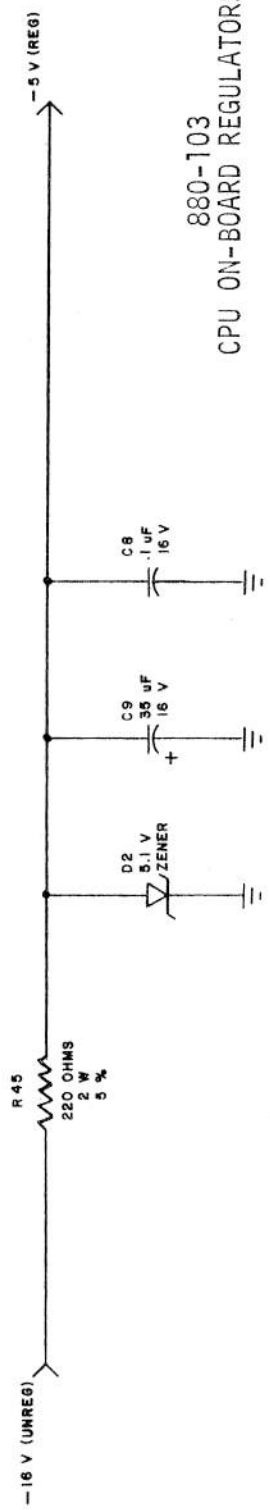
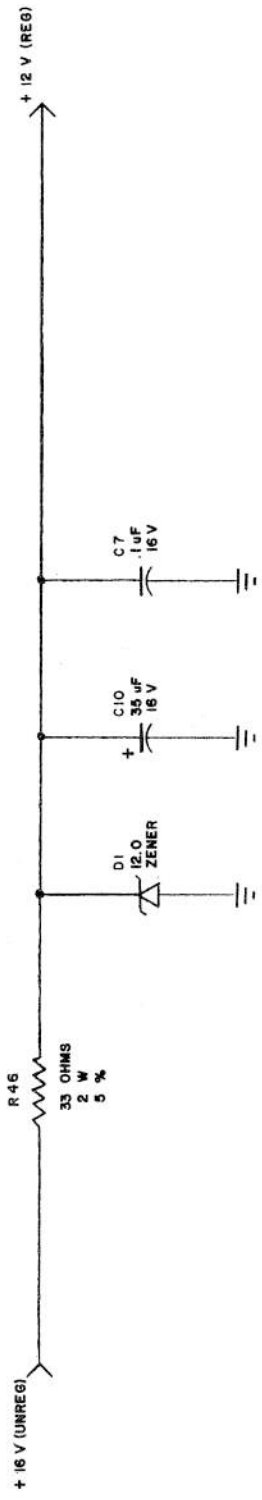
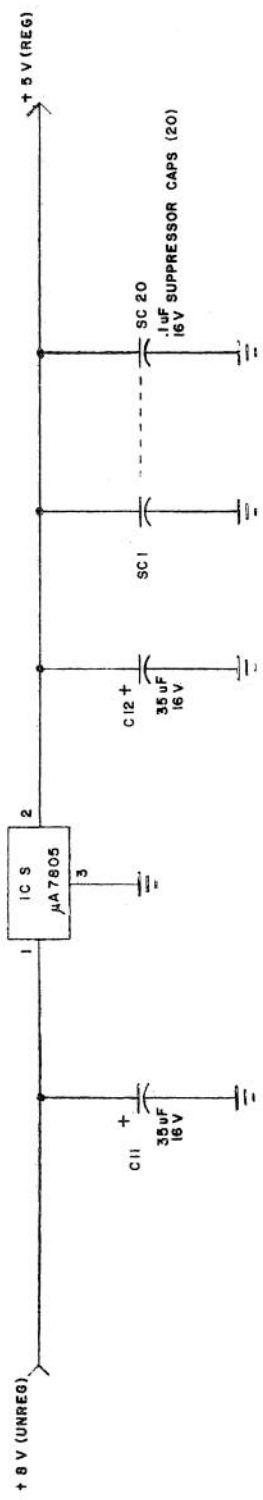


8080
I C A

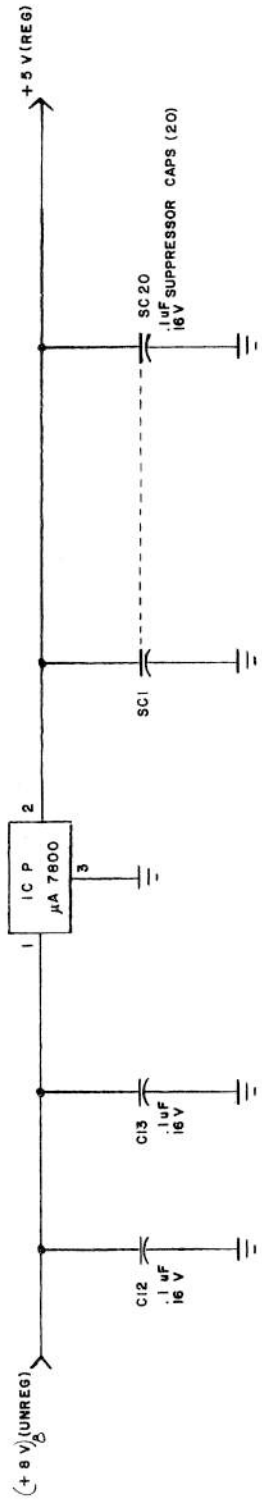




880-102
SYSTEM CLOCK

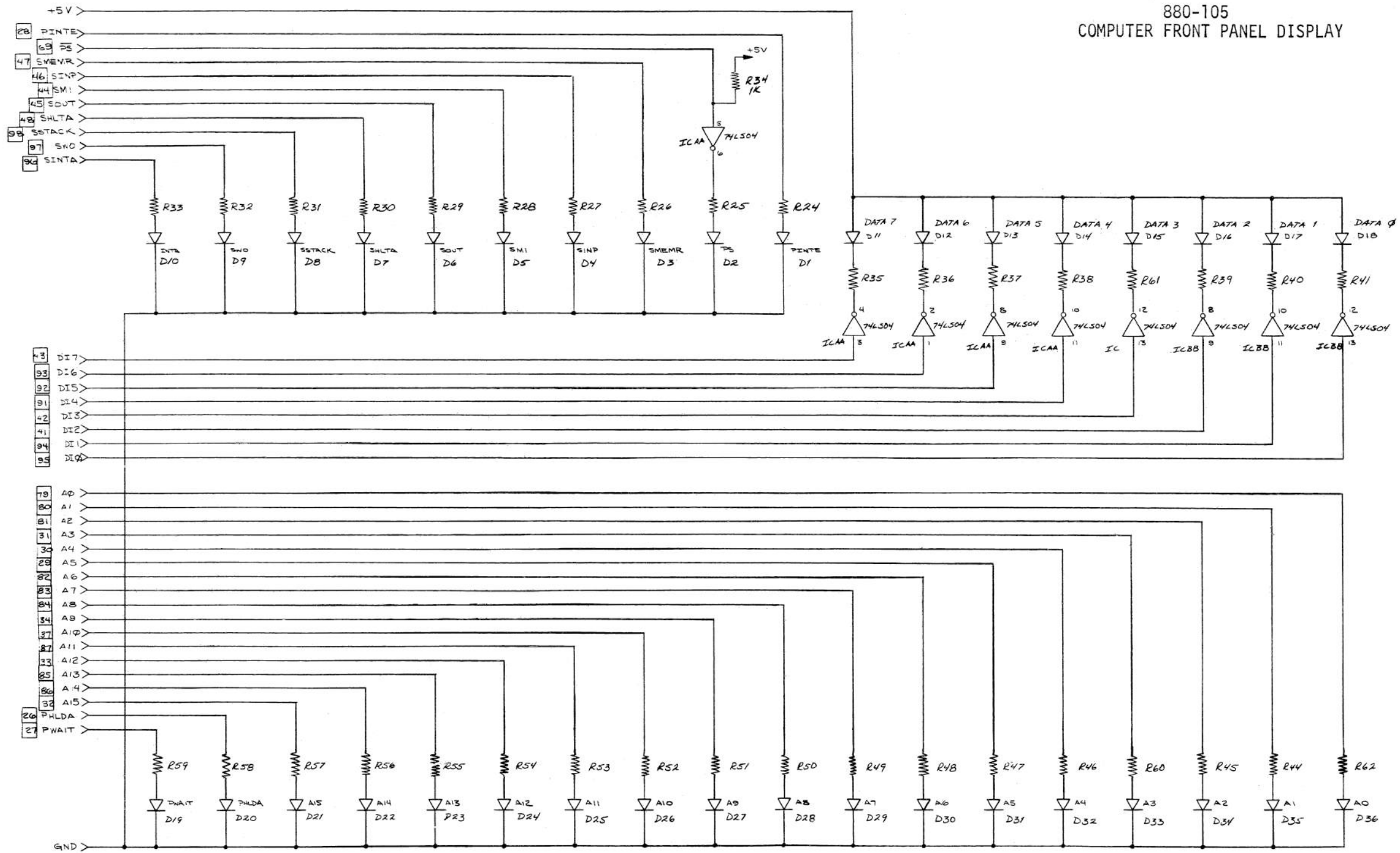


880-103
CPU ON-BOARD REGULATORS

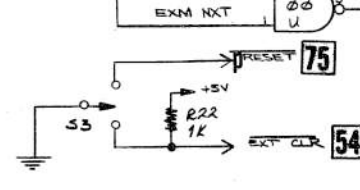
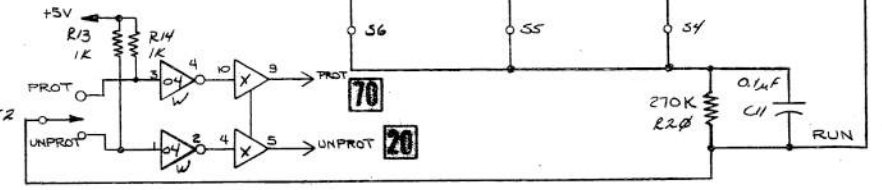
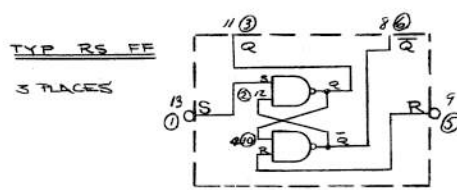
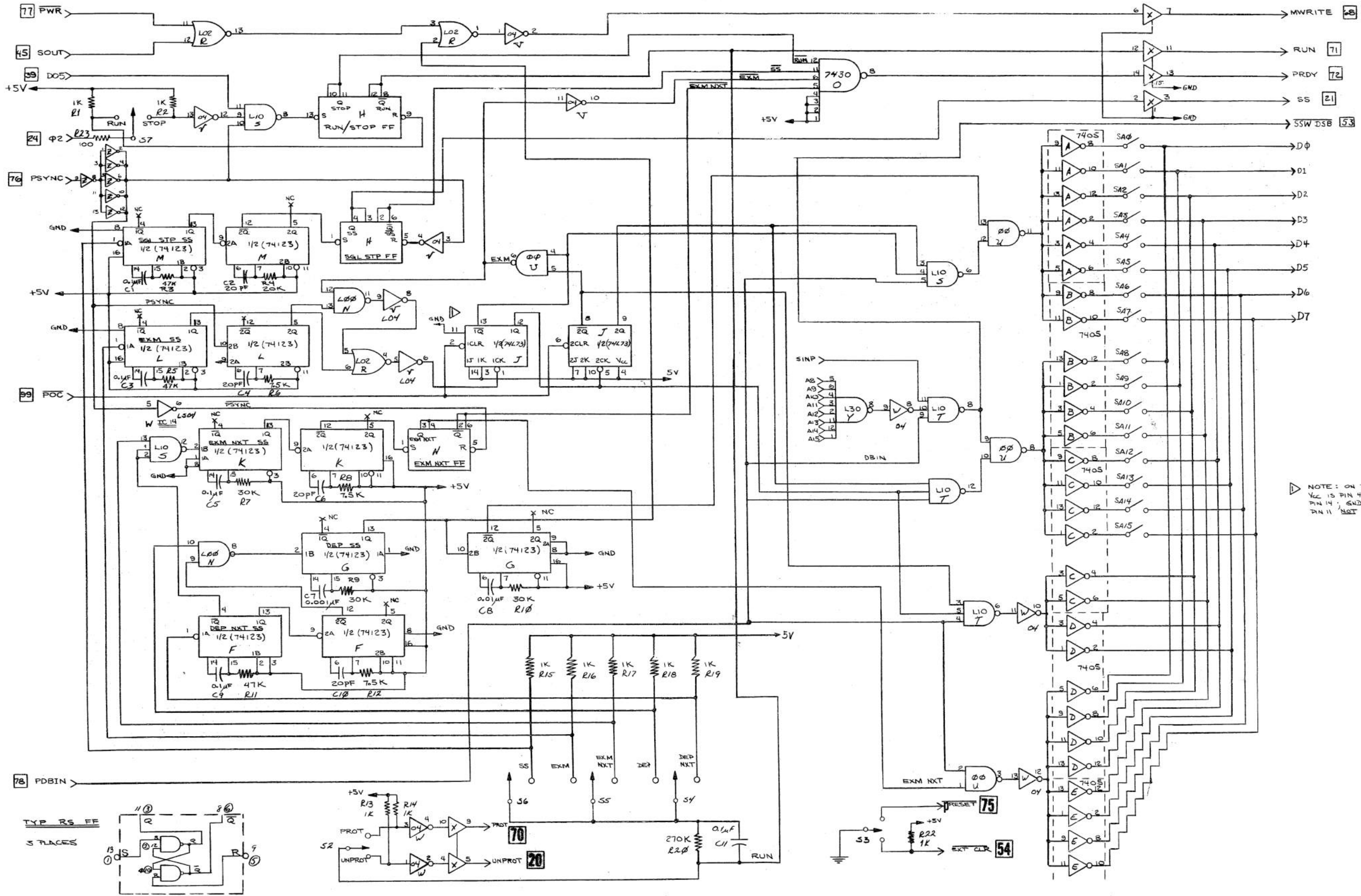


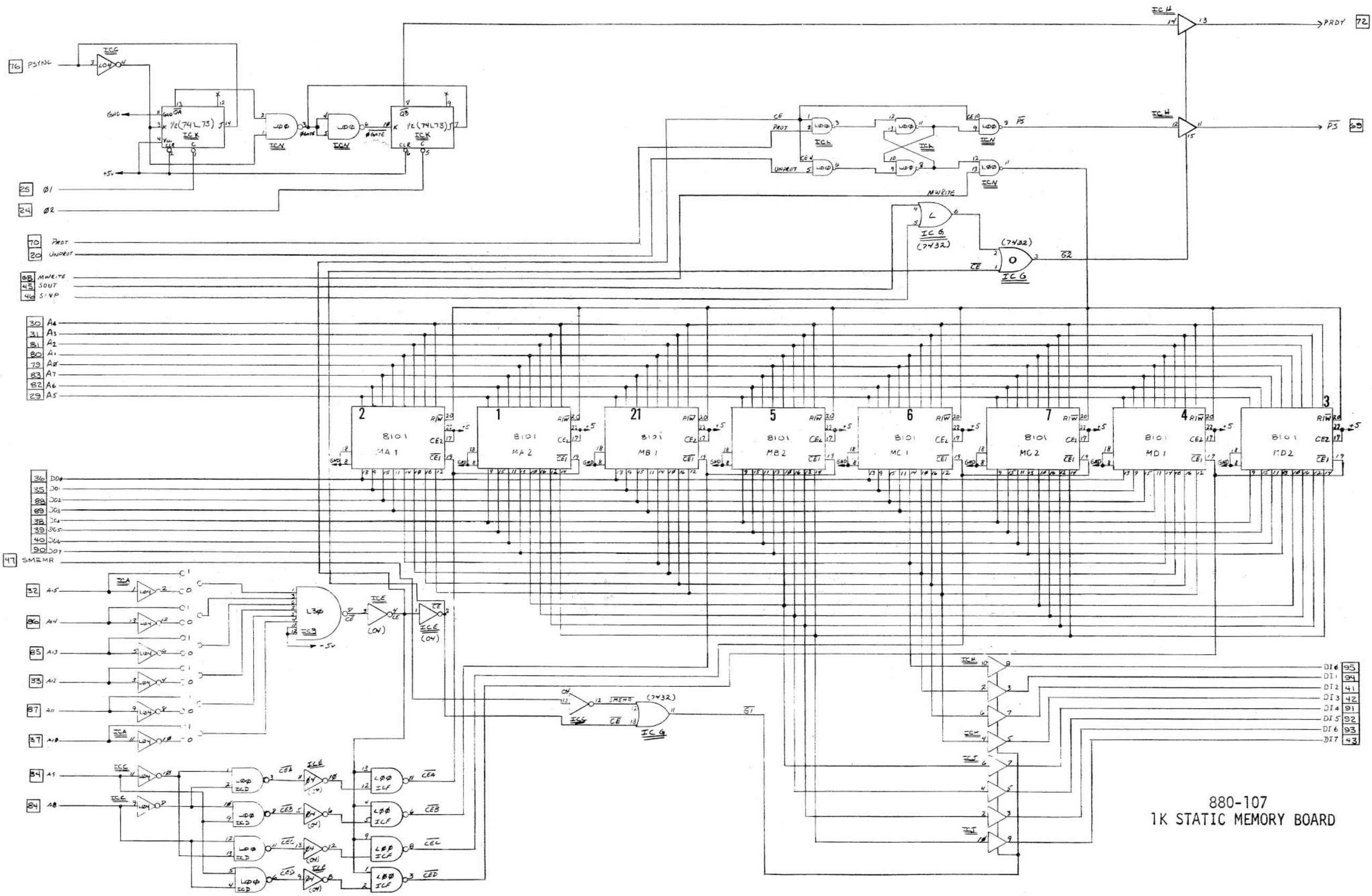
880-104
 DISPLAY/CONTROL ON-BOARD REGULATOR

880-105
COMPUTER FRONT PANEL DISPLAY

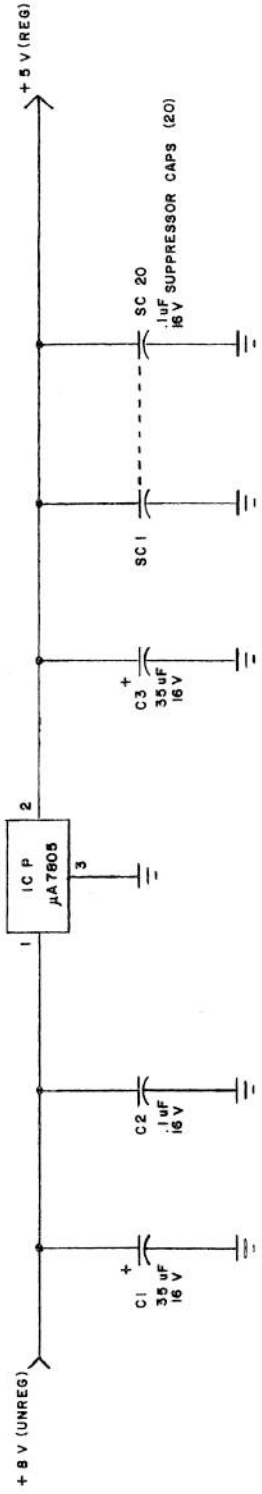


880-106 COMPUTER FRONT PANEL CONTROL

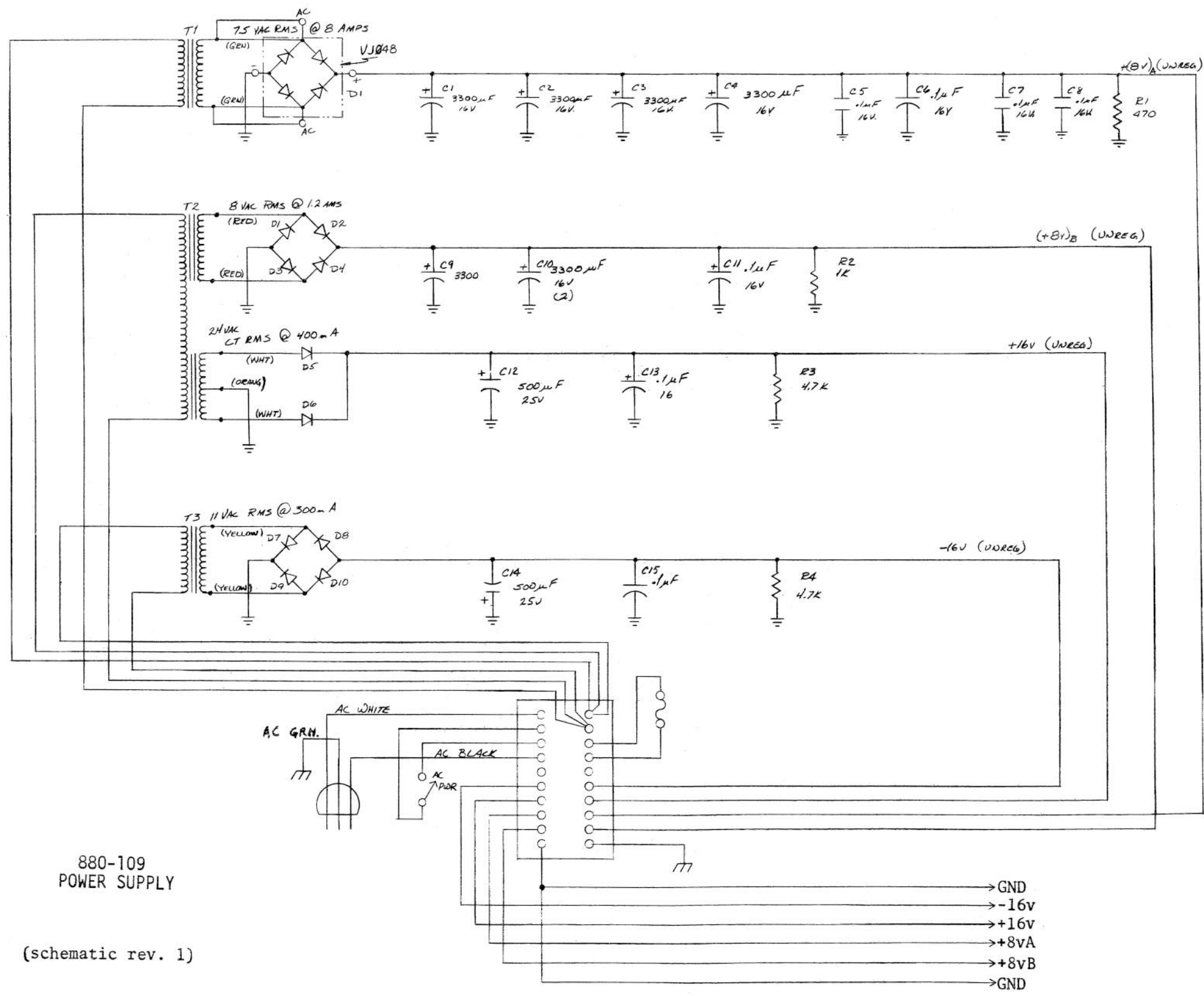




880-107
1K STATIC MEMORY BOARD



880-108
1K STATIC MEMORY ON-BOARD REGULATOR



880-109
POWER SUPPLY

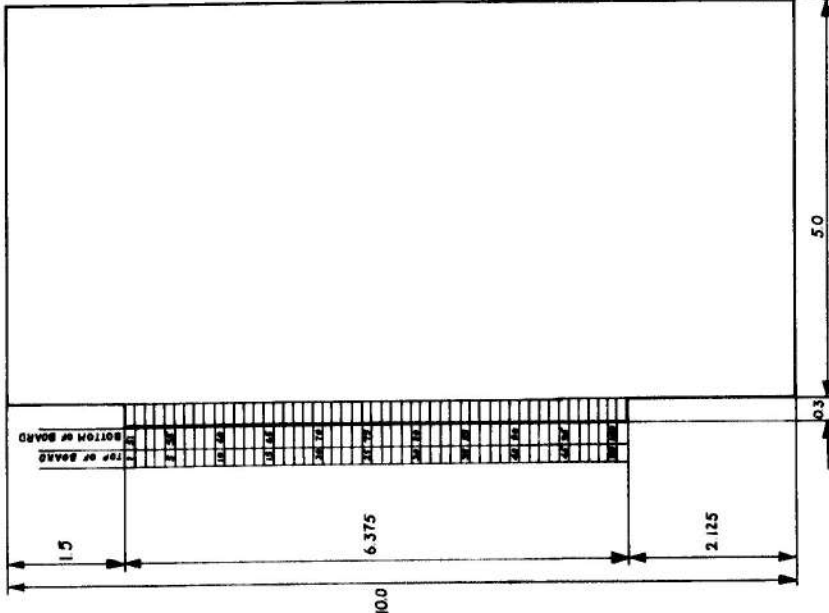
(schematic rev. 1)

TOP OF BOARD

1	+5 V
2	+15 V
3	FRDY
4	V1.4
5	V1.1
6	V1.2
7	V1.3
8	V1.4
9	V1.5
10	V1.6
11	V1.7
12	
13	
14	
15	
16	
17	SW RESET
18	CR BARREL
19	PROJECT
20	PROJECT
21	PROJECT
22	PROJECT
23	PROJECT
24	PROJECT
25	PROJECT
26	PROJECT
27	PROJECT
28	PROJECT
29	PROJECT
30	PROJECT
31	PROJECT
32	PROJECT
33	PROJECT
34	PROJECT
35	PROJECT
36	PROJECT
37	PROJECT
38	PROJECT
39	PROJECT
40	PROJECT
41	PROJECT
42	PROJECT
43	PROJECT
44	PROJECT
45	PROJECT
46	PROJECT
47	PROJECT
48	PROJECT
49	PROJECT
50	GND

BOTTOM OF BOARD

51	-5 V
52	-15 V
53	SW DSW
54	EXT CLR
55	
56	
57	
58	
59	
60	
61	
62	
63	
64	
65	
66	
67	
68	
69	
70	
71	
72	
73	
74	
75	
76	
77	
78	
79	
80	
81	
82	
83	
84	
85	
86	
87	
88	
89	
90	
91	
92	
93	
94	
95	
96	
97	
98	
99	
100	



880-110
SYSTEM BUS STRUCTURE