

Figure 2-4.a.
Turnkey Module Schematic

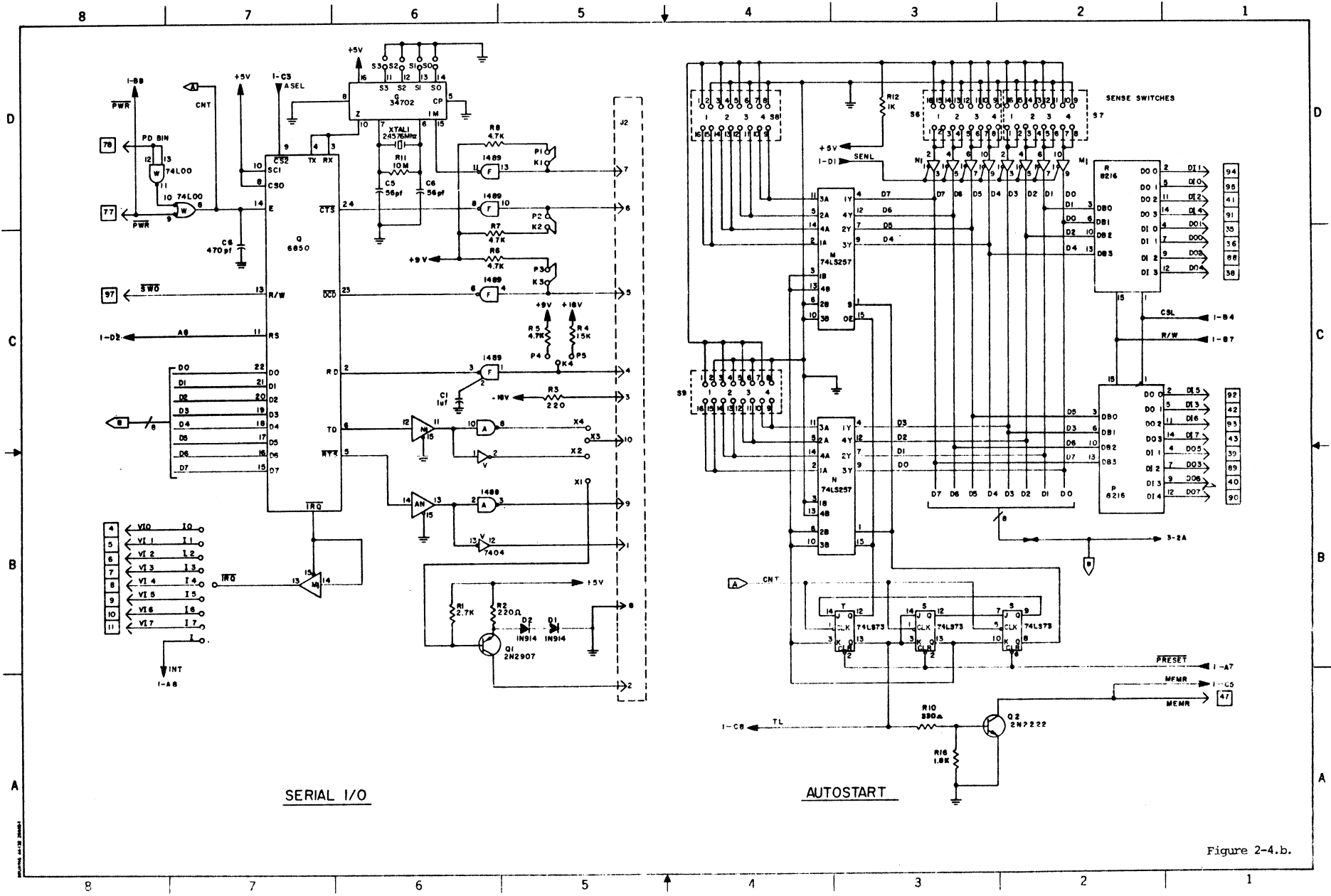


Figure 2-4.b.

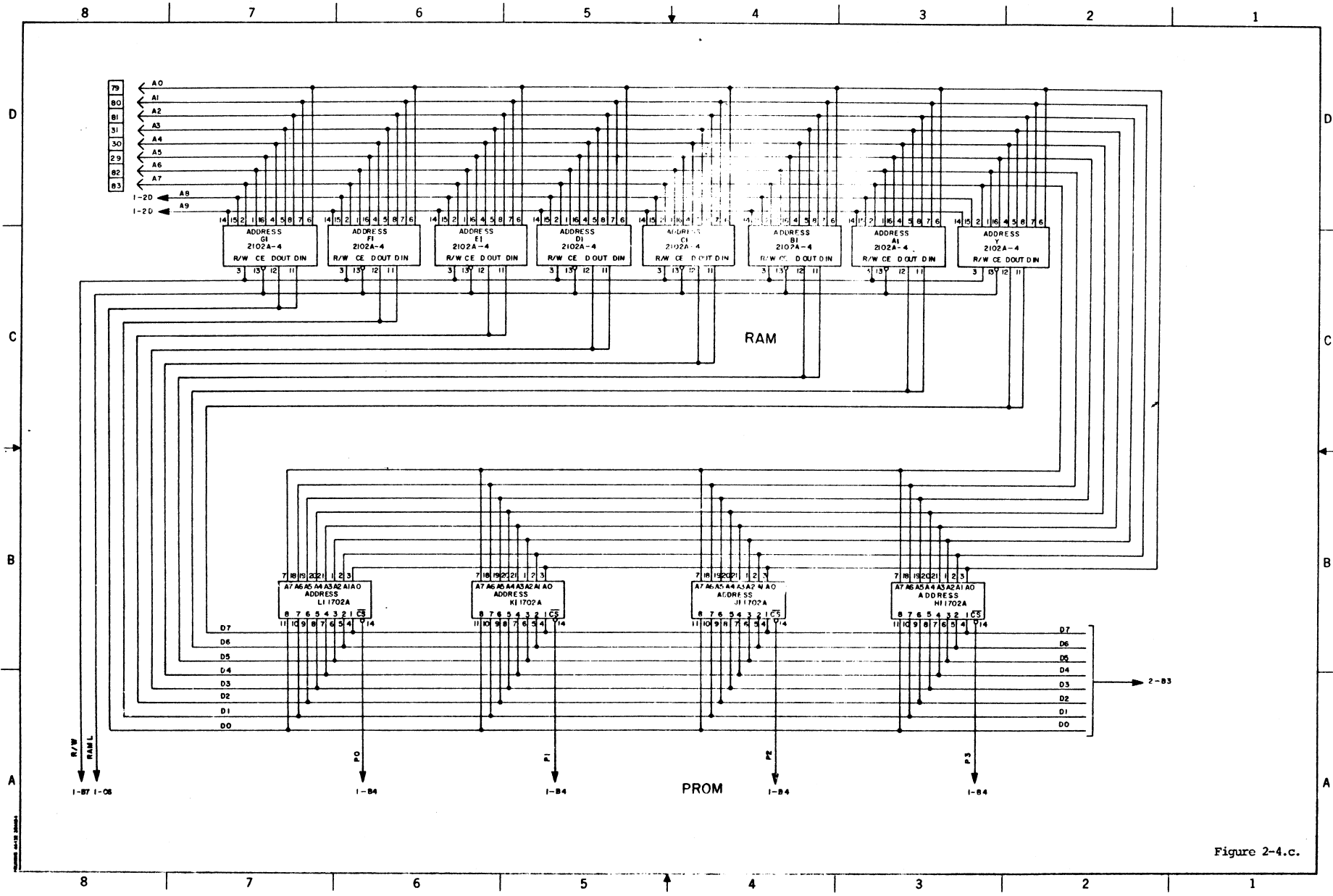


Figure 2-4.c.