

88-545-CLG2

Figure 2-4.a.  
Turnkey Module Schematic

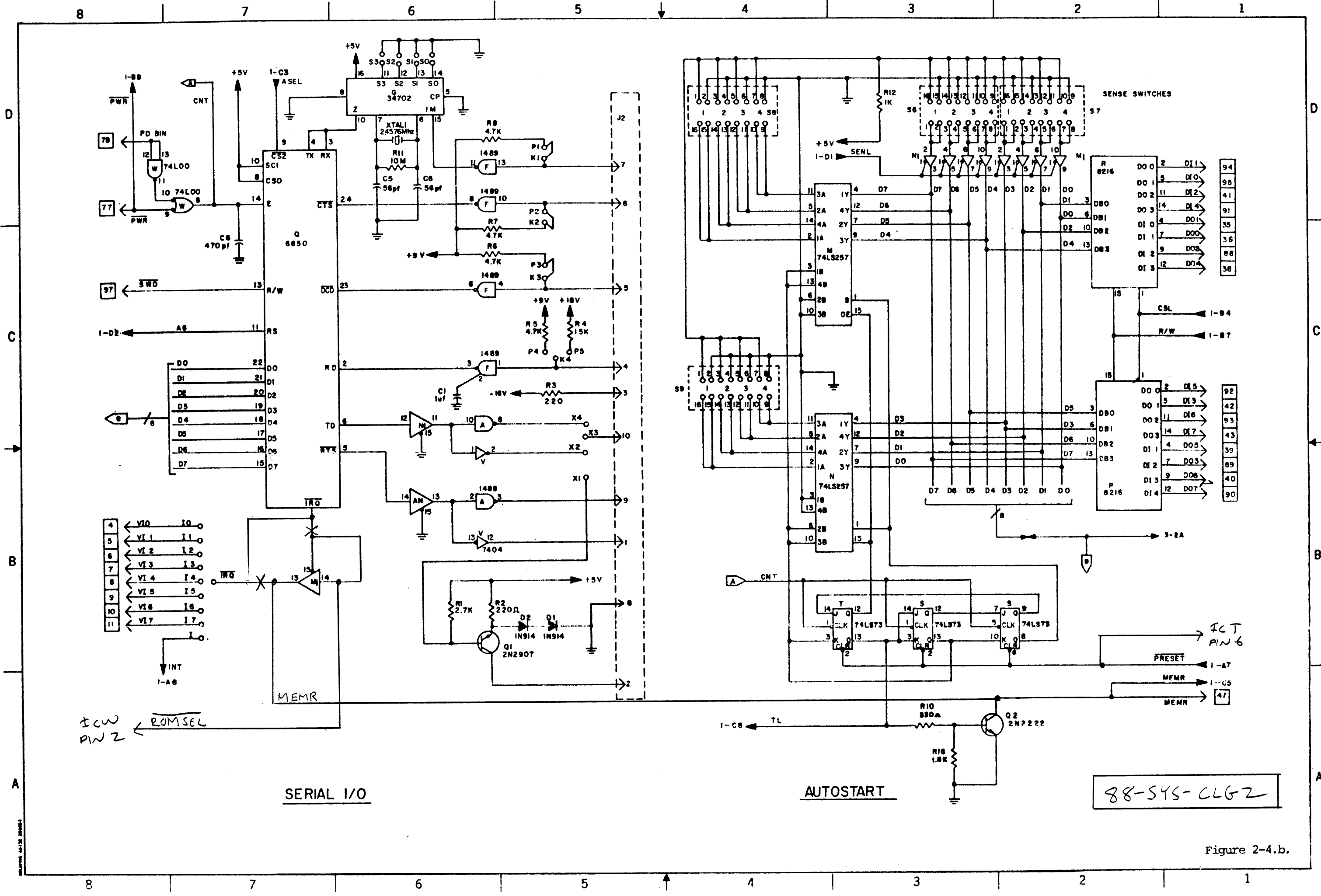


Figure 2-4.b.

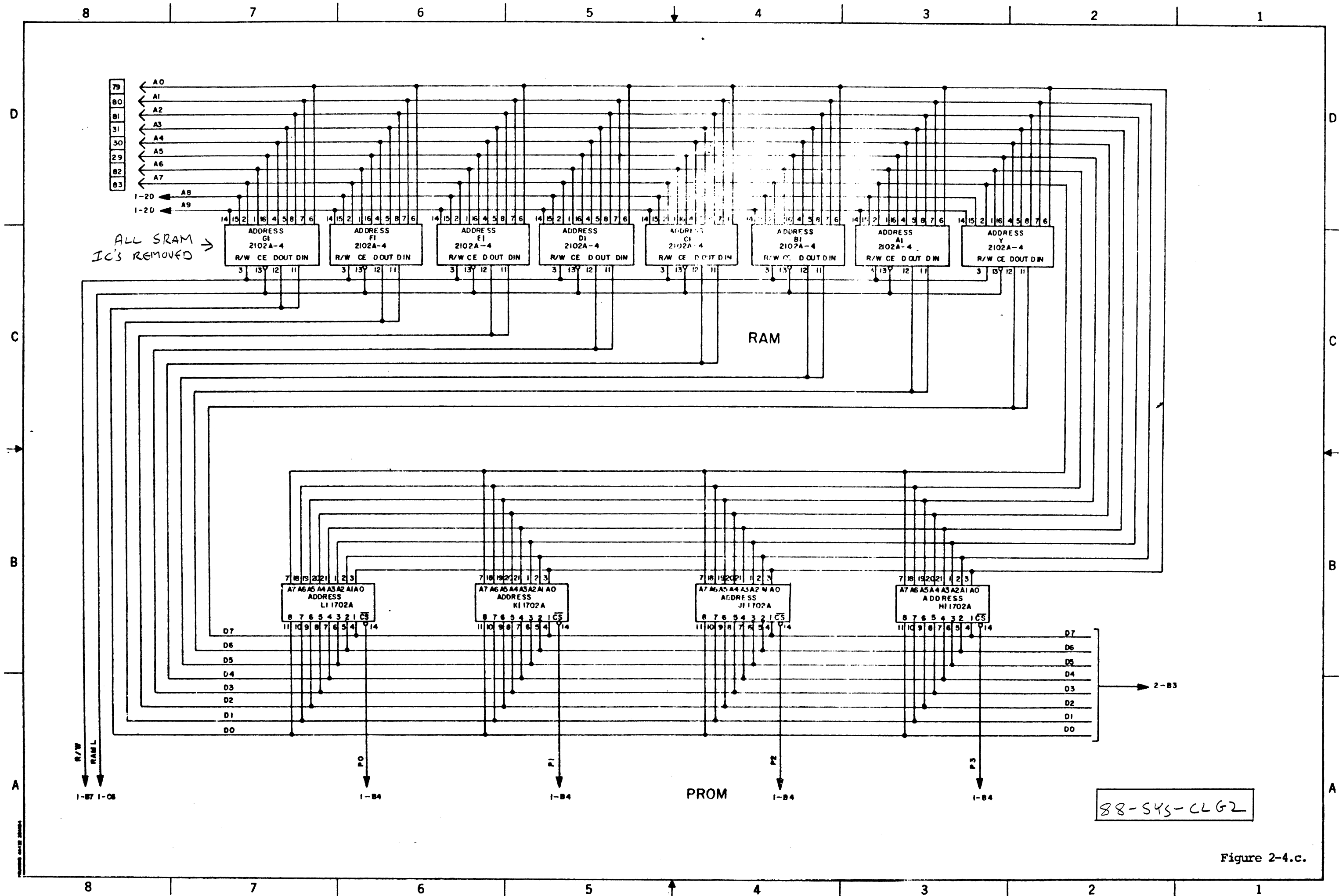


Figure 2-4.c.