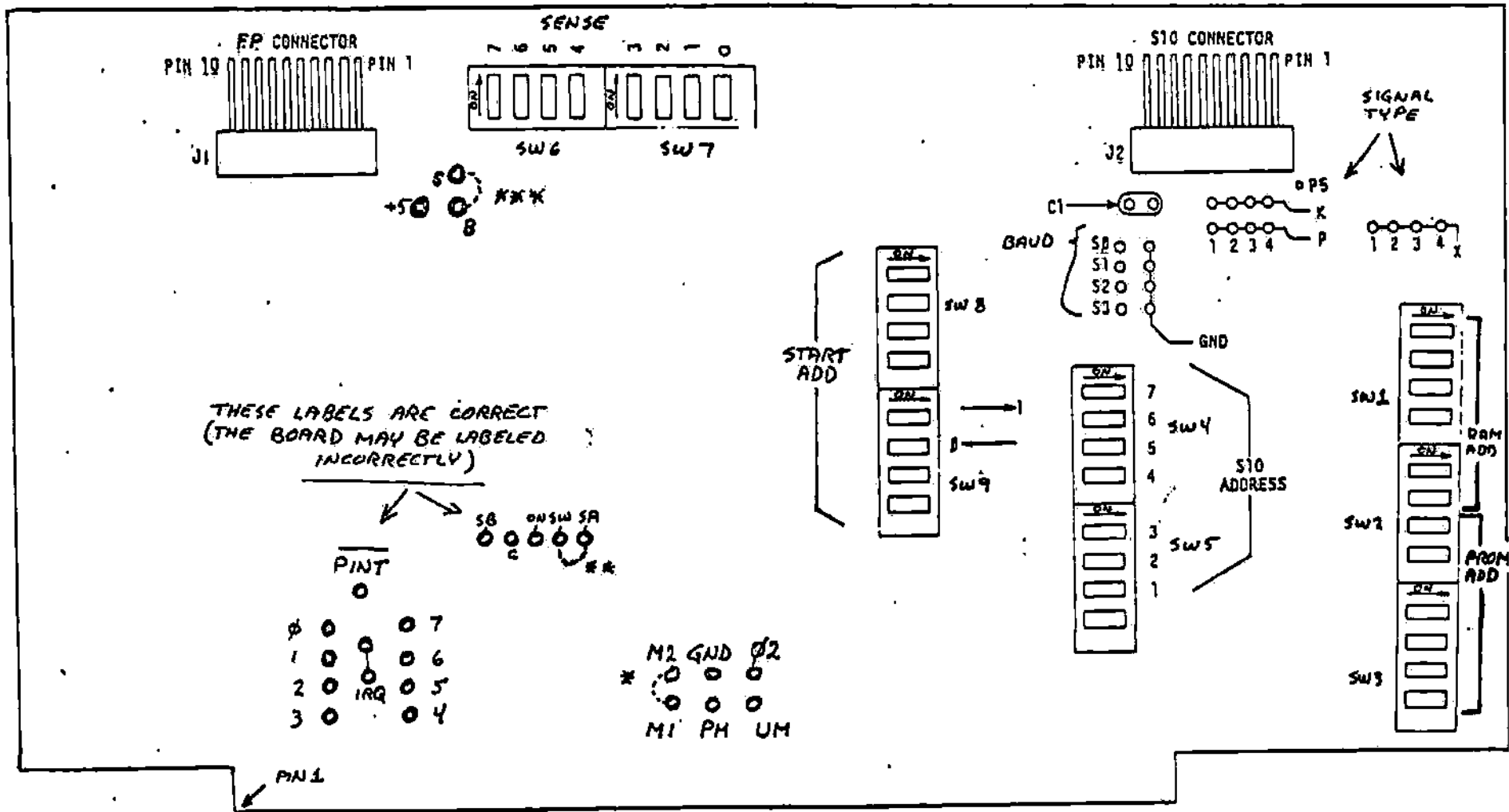


SEE I/O  
TABLE FOR  
CONNECTIONS  
0 1 2 3 4 5 6 7 8 9 10 11 12 13 14 15



\* INSTALL M1-M2 JUMPER IF USING TURNKEY COMPUTER, REMOVE FOR FRONT PANEL COMPUTER

\*\* JUMPER SW-SA IS NORMALLY INSTALLED

\*\* JUMPER S-B IS NORMALLY INSTALLED