

NEW STYLE

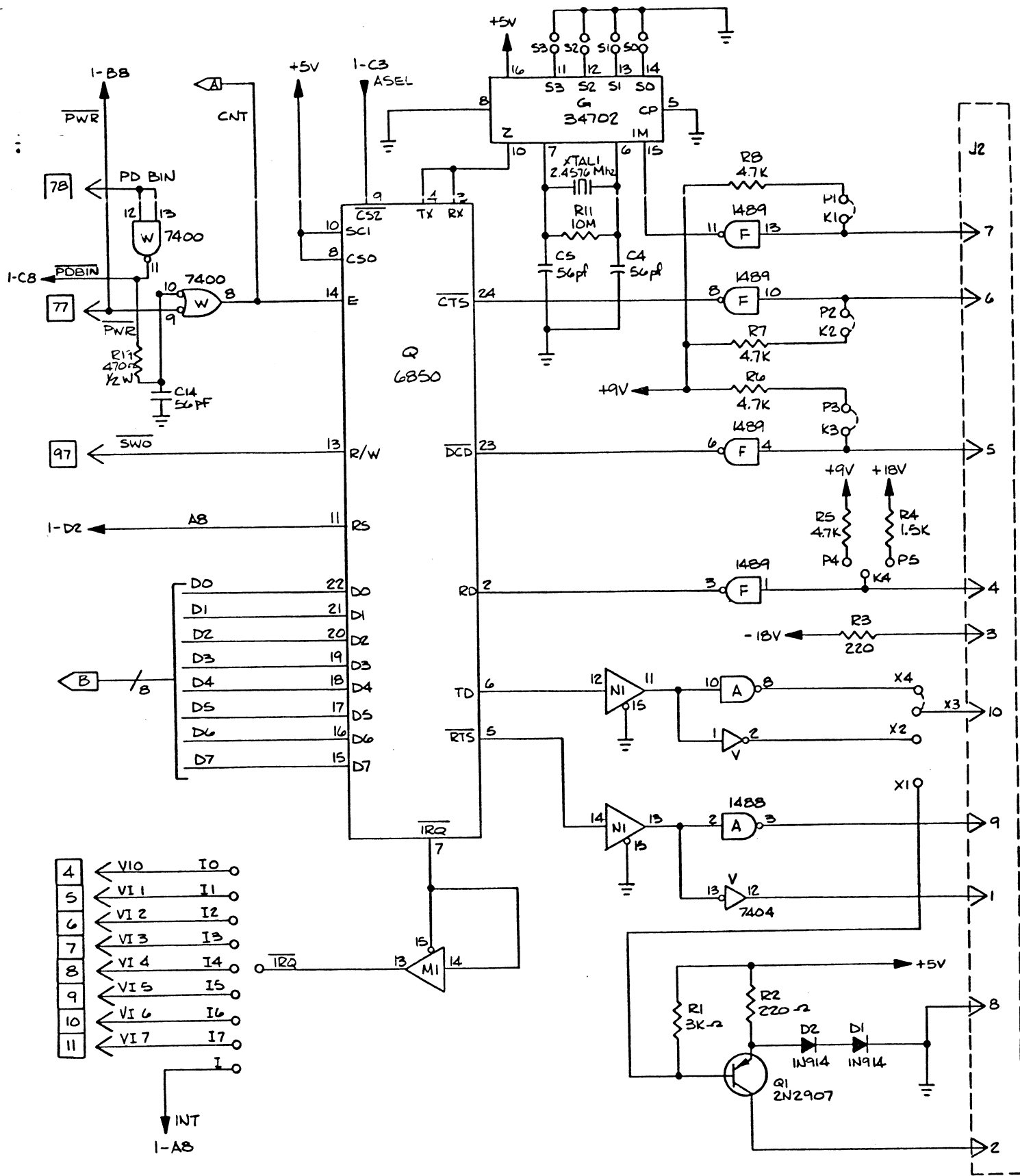
**MS INC**

DCO 80074 1/1/76  
 ECN 50402 1/6/76  
 ECN 50222 8/1/76  
 ECN 50094

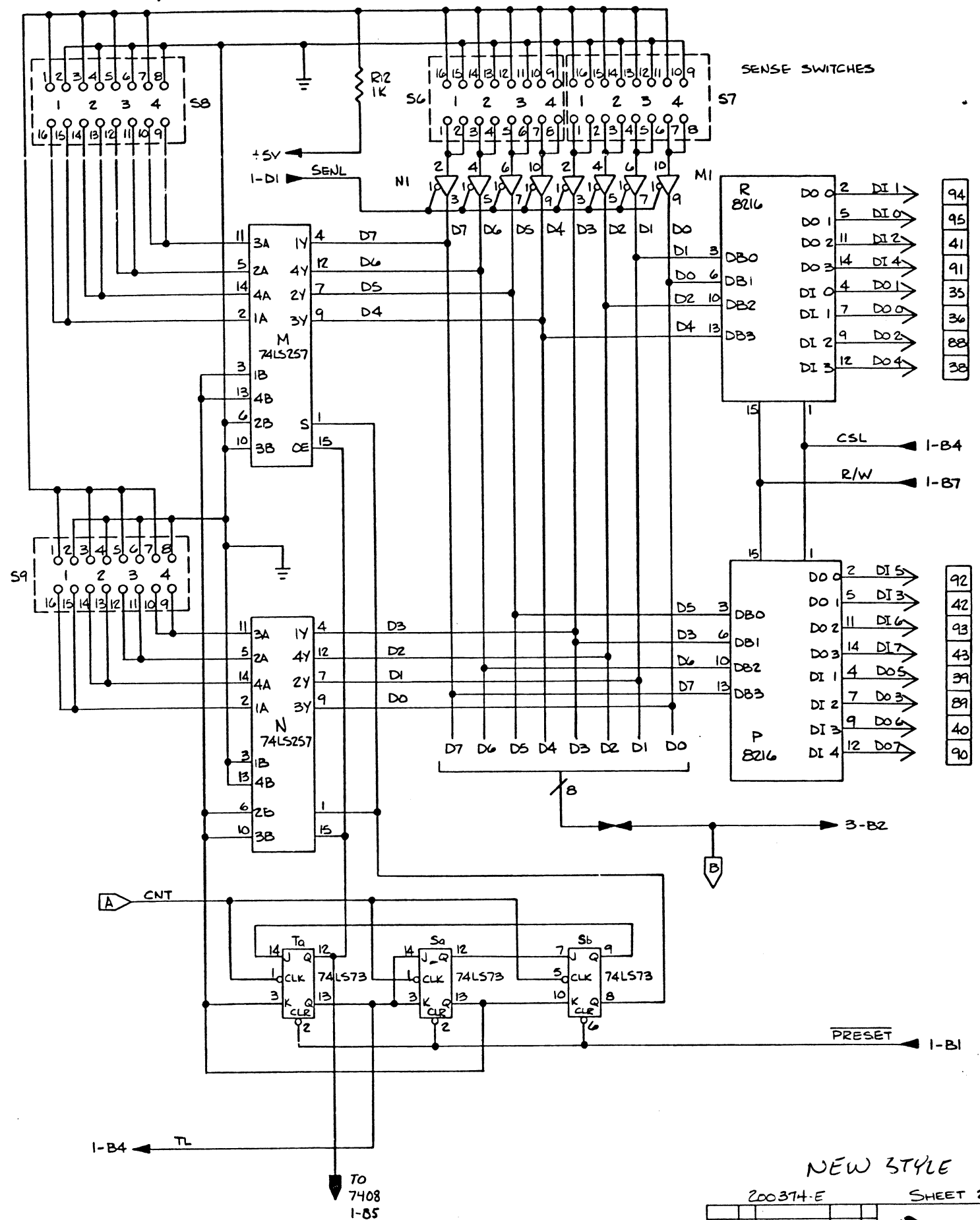
SCHEMATIC SYSTEMS TURNKEY BOARD

DATE: 2-14-76  
 DRAWN BY: A.L.M.  
 CHECKED BY: J.S.

3278



SERIAL I/O



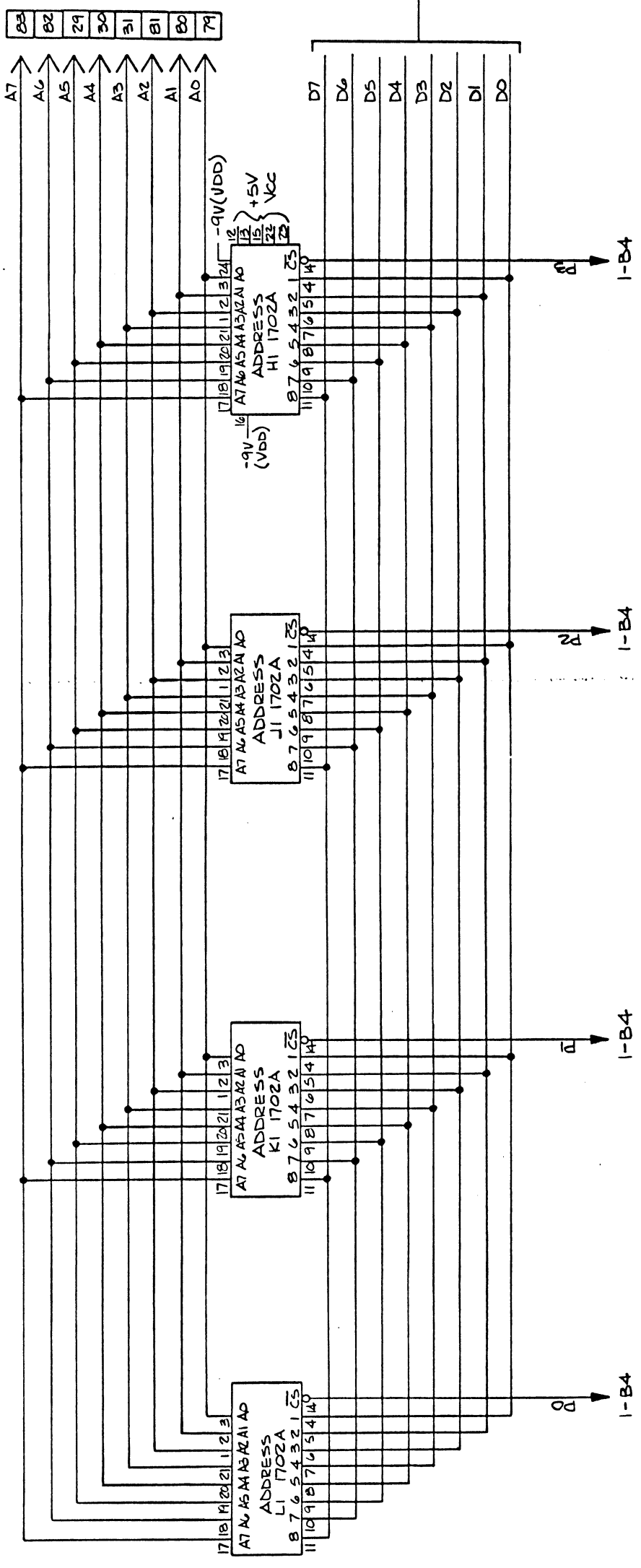
AUTOSTART

NEW STYLE

200374-E SHEET 2 OF 3

E D10 80074 10/4/76		SHEETS	
D ECN 50402 9/7/76		REV	
C ECN 50232 9-7-76		DATE	
B ECN 45009 9-7-76		DATE	

**mitsubishi**  
 SCHEMATIC, SYSTEMS TURNKEY BOARD  
 DRAWN BY: D.M. DATE: 2-16-76 CHECKED BY: DATE: 3-2-76



REF DES	PART #	LAND PIN	VCC PIN	# OF PINS
U1, K1, J1, H1	1702A	—	12, 22, 23	24
B1, V	7404	7	14	14
U1, C	7402	7	14	14
A1	74LS125	7	14	14
Z	74LS139	8	16	16
W	7400	7	14	14
R1	7407	7	14	14
T, S	74LS73	11	4	14
B, D, L, K	74LS30	7	14	14
P1, N1, M1	74367	8	16	16
F	1489	7	14	14
Q	6850	1	12	24
M1, N	74LS257	8	16	16
R, P	B216	8	16	16
S1	7408	7	14	14
A	1488	7	14	14

PROM

**NEW STYLE** SCHEMATIC

ECN 50452 10/11/11 SYSTEMS TURNKEY BOARD

ECN 50232 07/11/11

ECN 50091 11/11/11

ECN 50091 11/11/11

DATE: 2-15-16

20037A 3 of 3 E