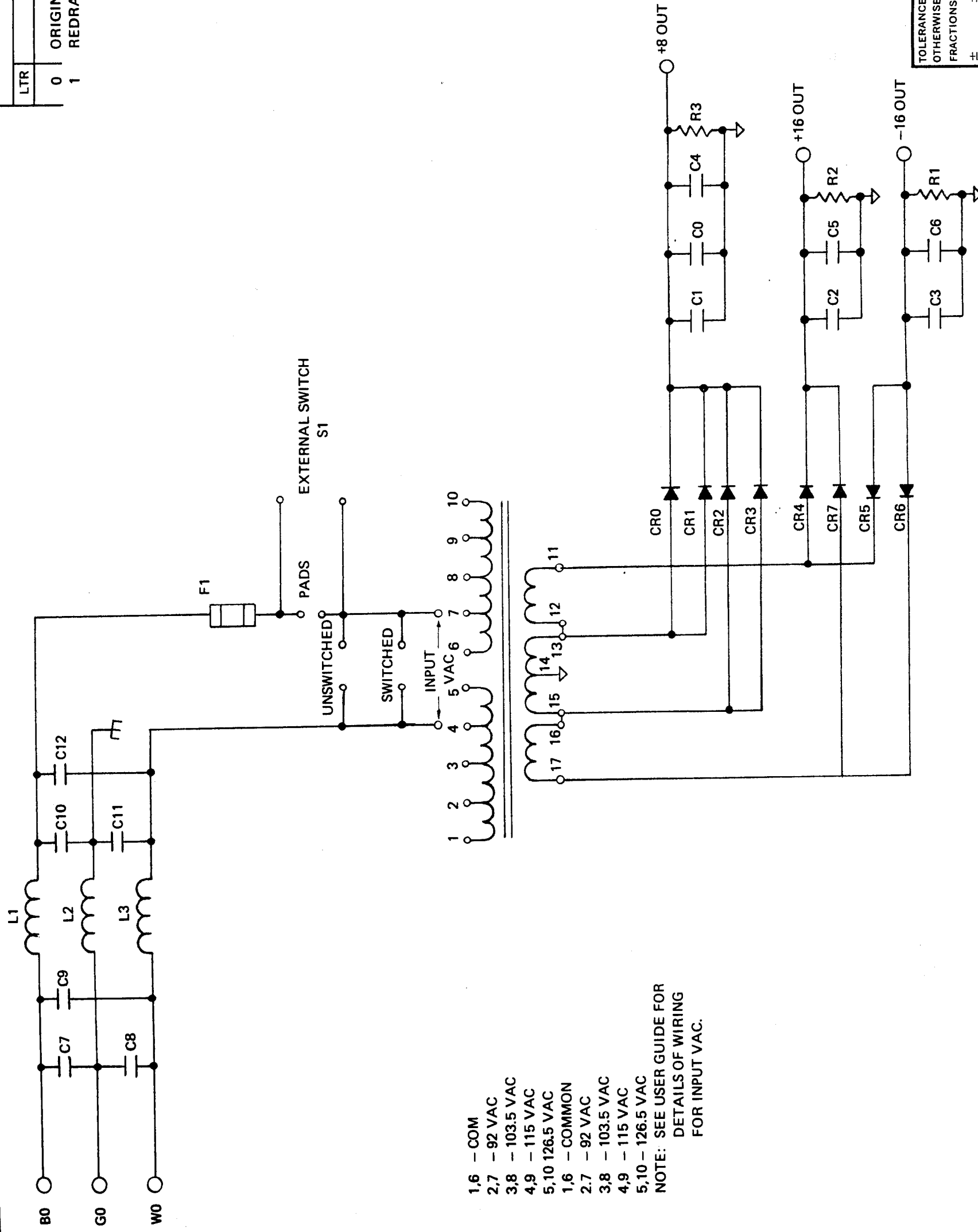


REVISIONS

LTR	DESCRIPTION	DATE	APPROVED
0	ORIGINAL PS-C REV. 1	5/76	
1	REDRAW TO PS-C-U REV. 1	12/76	



- 1,6 - COM
- 2,7 - 92 VAC
- 3,8 - 103.5 VAC
- 4,9 - 115 VAC
- 5,10 - 126.5 VAC
- 1,6 - COMMON
- 2,7 - 92 VAC
- 3,8 - 103.5 VAC
- 4,9 - 115 VAC
- 5,10 - 126.5 VAC

NOTE: SEE USER GUIDE FOR  
DETAILS OF WIRING  
FOR INPUT VAC.

- C0 ] 95K uF
- C1 ]
- C2 ] 10K uF
- C3 ]
- C4 ] .1uF
- C5 ]
- C6 ]
- C7 ] .04 uF 500V or
- thru ]
- C12 ] .01 uF 1000V
- CR0 ] MR1121
- thru ]
- CR3 ]
- CR4 ] MR501
- thru ]
- CR7 ]
- F1 5A/2.5A
- L1 ] 8uH
- thru ]
- L3 ]
- R1 ] 1K 1/2W
- R2 ]
- R3 470 1/2W
- S1 NOT SUPPLIED

© 1977 IMSAI MFG. CORP.  
SAN LEANDRO, CA.  
ALL RIGHTS RESERVED WORLDWIDE  
MADE IN U.S.A.

TOLERANCES UNLESS OTHERWISE SPECIFIED		FRACTIONS DEC. ANGLES	
±	±	±	±
APPROVALS	DATE	DRAWING NO.	
DRAWN PRU	12/76	SCALE	SIZE B
CHECKED		DO NOT SCALE DRAWING	SHEET 91-2010015

© 1976  
IMSAI MFG. CORP.  
SAN LEANDRO, CA.

8080 SYSTEM  
SCHEMATIC DIAGRAM  
PS-C-U REV. 1 12/76