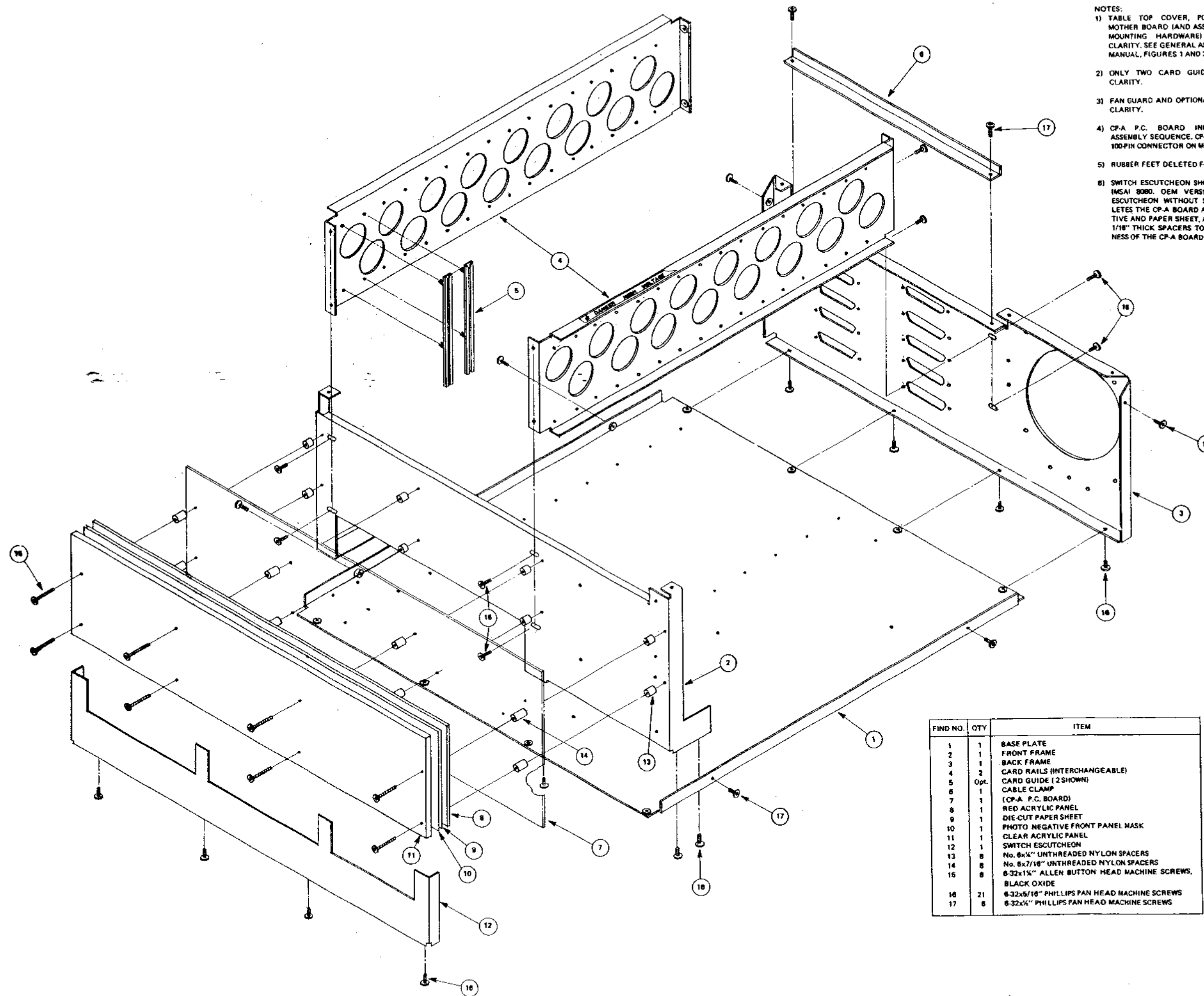


REVISIONS			
LTR	DESCRIPTION	DATE	APPROVED
U1	74LS00	U39	75189
U4		U40	75188
U8		U41	75452
U2	74LS32	C1, C2, C7, C8, C11, C12, C14, C15, C16, C18, C19, C20, C21, C22, C23, C24, C27, C28, C29, C30, C31, C32, C33, C34	.1 uF
U3	74LS02		
U5	74LS08	C3, C6, C9, C10	2.2 uF
U29			
U6	74LS11	CR1	IN4148
U7	8111A-4	CR2	IN270
U8		CR5	
U9	FIRMWARE PROM SOCKET	CR3	IN4002
		CR4	
U10	8T97	Y1	6MHZ
U32-U36			
U11	74LS04	R9 - R16	1K ¼w
U17		R18 - R20	
U28		R25, R26	
U28		R33 - R35	
U30		R50	
U12	S1	R17, R23, R24	10K ¼w
U13	S2	R28 - R32, R38	
U14	74LS05	R1 - R8, R21, R22	4.7 ¼w
U15	74LS195	R36, R37, R39	
U16		R44 - R48	
U19	74LS155	R40	750 ¼w
U20	8085	R41	620 ¼w
U21-U23	8212	R42	150 ¼w
U24	8253-2	R43	
U25	8251A		
U26	74LS109		
U27	74LS74		
U31	3622		
U37	74LS367		
U38	74S288		

TOLERANCES UNLESS OTHERWISE SPECIFIED		MPU-B REV. 1.2 SCHEMATIC	
FRACTIONS DEC. ANGLES			
± ± ±			
APPROVALS	DATE		
DRAWN			
CHECKED		SCALE	SIZE DRAWING NO.
		B	
DO NOT SCALE DRAWING			SHEET



- NOTES:
- 1) TABLE TOP COVER, POWER SUPPLY, AND MOTHER BOARD (AND ASSOCIATED HOLES AND MOUNTING HARDWARE) NOT SHOWN FOR CLARITY. SEE GENERAL ASSEMBLY CHAPTER OF MANUAL, FIGURES 1 AND 2, FOR DETAILS.
  - 2) ONLY TWO CARD GUIDES (5) SHOWN FOR CLARITY.
  - 3) FAN GUARD AND OPTIONAL FAN DELETED FOR CLARITY.
  - 4) CP-A P.C. BOARD INDICATED TO SHOW ASSEMBLY SEQUENCE. CP-A BOARD PLUGS INTO 100-PIN CONNECTOR ON MOTHER BOARD.
  - 5) RUBBER FEET DELETED FOR CLARITY.
  - 6) SWITCH ESCUTCHEON SHOWN IS FOR REGULAR IMSAI 8080. OEM VERSION HAS ALTERNATE ESCUTCHEON WITHOUT SWITCH CUTOUTS. DELETES THE CP-A BOARD AND THE PHOTO NEGATIVE AND PAPER SHEET, AND USES ADDITIONAL 1/16" THICK SPACERS TO REPLACE THE THICKNESS OF THE CP-A BOARD.

© 1977 IMSAI MFG. CORP.  
 SAN LEANDRO, CA.  
 ALL RIGHTS RESERVED WORLDWIDE  
 MADE IN U.S.A.

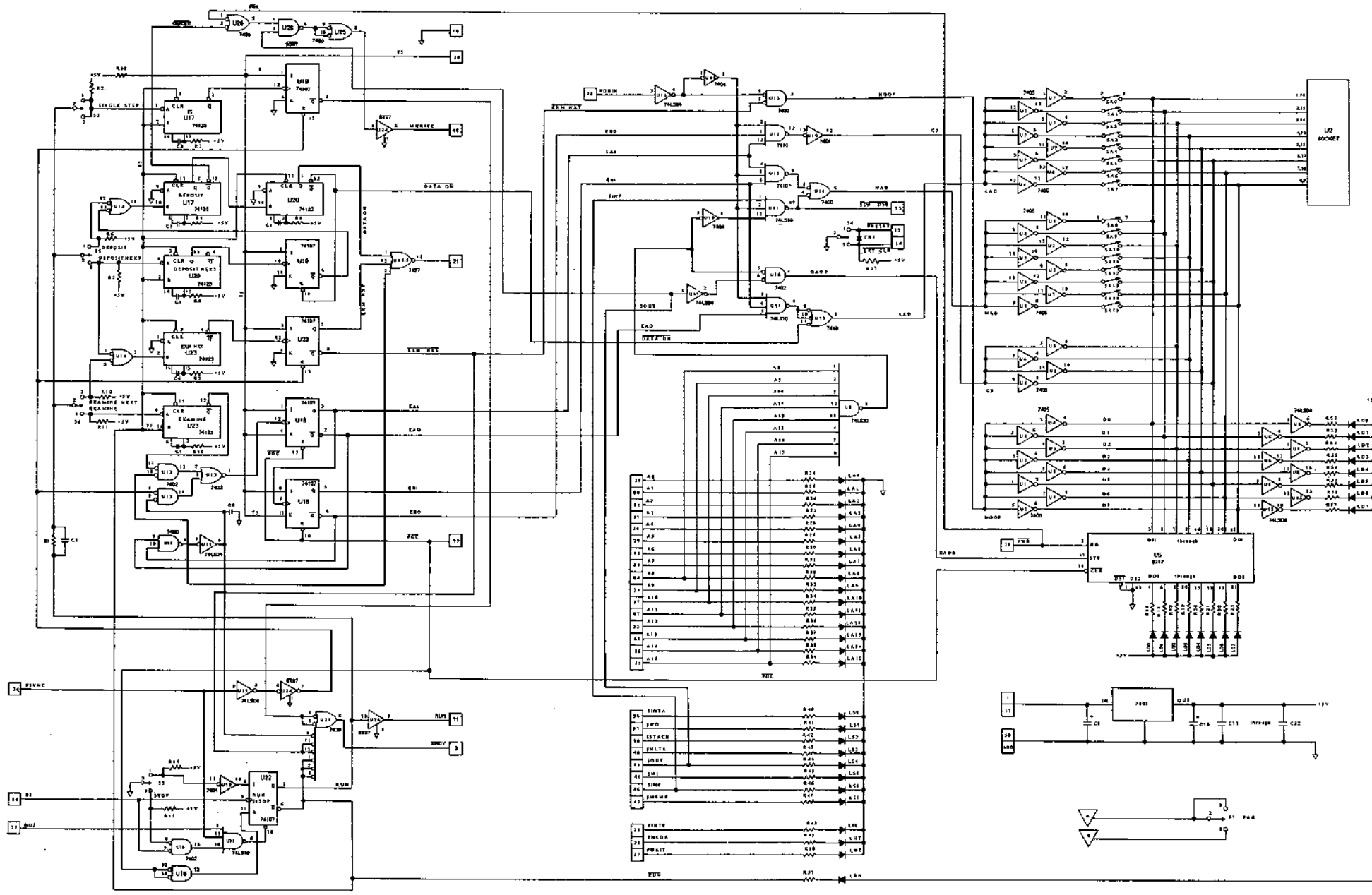
FIND NO.	QTY	ITEM
1	1	BASE PLATE
2	1	FRONT FRAME
3	1	BACK FRAME
4	2	CARD RAILS (INTERCHANGEABLE)
5	Opt.	CARD GUIDE (2 SHOWN)
6	1	CABLE CLAMP
7	1	(CP-A P.C. BOARD)
8	1	RED ACRYLIC PANEL
9	1	DIE-CUT PAPER SHEET
10	1	PHOTO NEGATIVE FRONT PANEL MASK
11	1	CLEAR ACRYLIC PANEL
12	1	SWITCH ESCUTCHEON
13	8	No. 8x1/4" UNTHREADED NYLON SPACERS
14	8	No. 8x7/16" UNTHREADED NYLON SPACERS
15	8	8-32x1/4" ALLEN BUTTON HEAD MACHINE SCREWS, BLACK OXIDE
16	21	8-32x5/16" PHILLIPS PAN HEAD MACHINE SCREWS
17	8	8-32x1/2" PHILLIPS PAN HEAD MACHINE SCREWS

8080 CHASSIS  
 CABINET ASSEMBLY  
 EXPLODED VIEW

7/76

© 1976  
 IMS ASSOCIATES, INC.  
 SAN LEANDRO, CA.

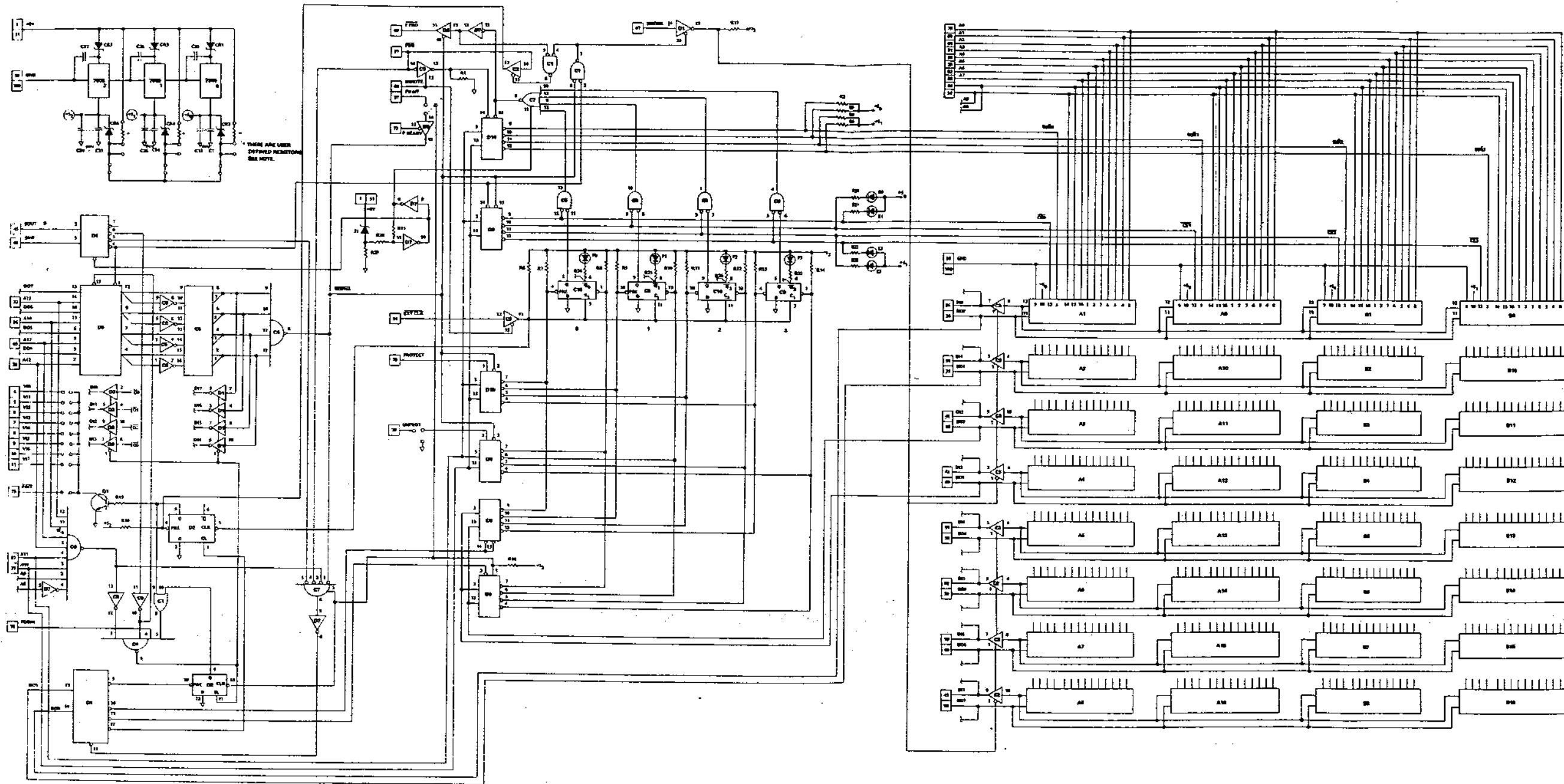
REVISIONS			
LTR	DESCRIPTION	DATE	APPROVED
0	ORIGINAL	12/75	
1	ECN76-0051 & ECO77-0039	11/76 & 4/77	
2	ECO77-0098	8/77	



- U1 ] LO0
- U3 ] THRU
- U4 ] 7405 ] LO7
- U6 ] LA0
- U7 ] THRU
- U2 ] DATA ] LA15
- HEADER ] LD0
- SOCKET ] THRU
- U5 ] 8212 ] LD7 ] LED'S
- U8 ] 74LS04 ] LS0
- U15 ] THRU
- U9 ] 74LS30 ] LS7
- U10 ] 7404 ] LIE
- U11 ] 74LS10 ] LHD
- U12 ] 7410 ] LRN
- U13 ] ] LWT
- U16 ] 7402 ] R1 ] 270K 1/4W
- U14 ] 7400 ] R2
- U25 ] R6
- U15.5 ] 7427 ] R7
- U17 ] ] R10 ] 1K 1/4W
- U20 ] 74123 ] R11
- U23 ] ] R13
- U18 ] 74107 ] THRU
- U19 ] ] R15
- U22 ] ] R60
- U21 ] 7430 ] R3
- U24 ] 8T97 ] R4
- ] R5 ] 47K 1/4W
- ] R8
- C1 ] ] R9
- C2 ] ] R12 ] 220 1/4W
- C5 ] ] THRU
- C6 ] .1 uF ] R16
- C7 ] ] R59
- C11 ] ] ]
- THRU ] ] ]
- C22 ] ] ]
- C3 ] ] ]
- C8 ] .001 uF ] ]
- C4 ] .01 uF ] ]
- C9 ] ] ]
- C10 ] 33 uF ] ]
- CR1 ] 1N914 ] ]

TOLERANCES UNLESS OTHERWISE SPECIFIED FRACTIONS DEC. ANGLES ± ± ±		© 1977 IMSAI MFG. CORP., SAN LEANDRO, CA. ALL RIGHTS RESERVED WORLDWIDE MADE IN U.S.A.		
APPROVALS	DATE	IMSAI 8080 SYSTEM CPA REV. 4 SCHEMATIC DIAGRAM		
DRAWN		SCALE	SIZE	DRAWING NO.
CHECKED			<b>B</b>	
		DO NOT SCALE DRAWING		SHEET



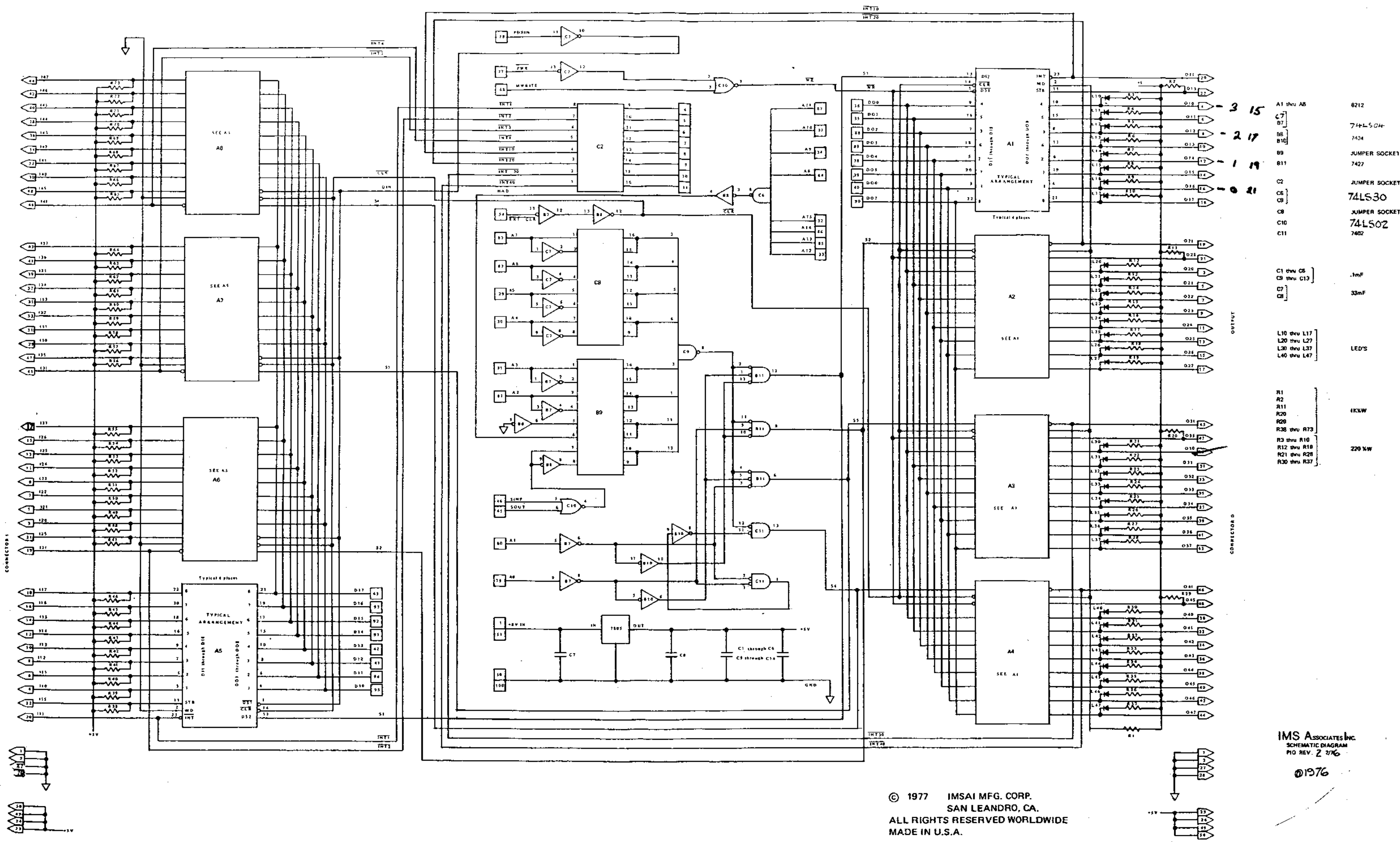


- 7401
- 7402
- 7403
- 7404
- 7405
- 7406
- 7407
- 7408
- 7409
- 7410
- 7411
- 7412
- 7413
- 7414
- 7415
- 7416
- 7417
- 7418
- 7419
- 7420
- 7421
- 7422
- 7423
- 7424
- 7425
- 7426
- 7427
- 7428
- 7429
- 7430
- 7431
- 7432
- 7433
- 7434
- 7435
- 7436
- 7437
- 7438
- 7439
- 7440
- 7441
- 7442
- 7443
- 7444
- 7445
- 7446
- 7447
- 7448
- 7449
- 7450
- 7451
- 7452
- 7453
- 7454
- 7455
- 7456
- 7457
- 7458
- 7459
- 7460
- 7461
- 7462
- 7463
- 7464
- 7465
- 7466
- 7467
- 7468
- 7469
- 7470
- 7471
- 7472
- 7473
- 7474
- 7475
- 7476
- 7477
- 7478
- 7479
- 7480
- 7481
- 7482
- 7483
- 7484
- 7485
- 7486
- 7487
- 7488
- 7489
- 7490
- 7491
- 7492
- 7493
- 7494
- 7495
- 7496
- 7497
- 7498
- 7499
- 7500

NOTE:  
THERE ARE LINES DEFINED  
HEREIN REFER TO WIRE  
BLOCK FOR EXPLANATION.

SEE ASSOCIATED INC.  
SCHEMATIC DIAGRAM  
SAB 65-4 REV. 2 678





- A1 thru A8 8212
- C7 74LS04
- B8 7404
- B9 JUMPER SOCKET 7427
- B10 JUMPER SOCKET 7427
- B11 JUMPER SOCKET 7427
- C2 JUMPER SOCKET 74LS30
- C6 74LS30
- C9 74LS30
- C10 74LS02
- C11 7402

- C1 thru C5 .1mF
- C8 thru C13 .33mF
- C7 .33mF
- C8 .33mF

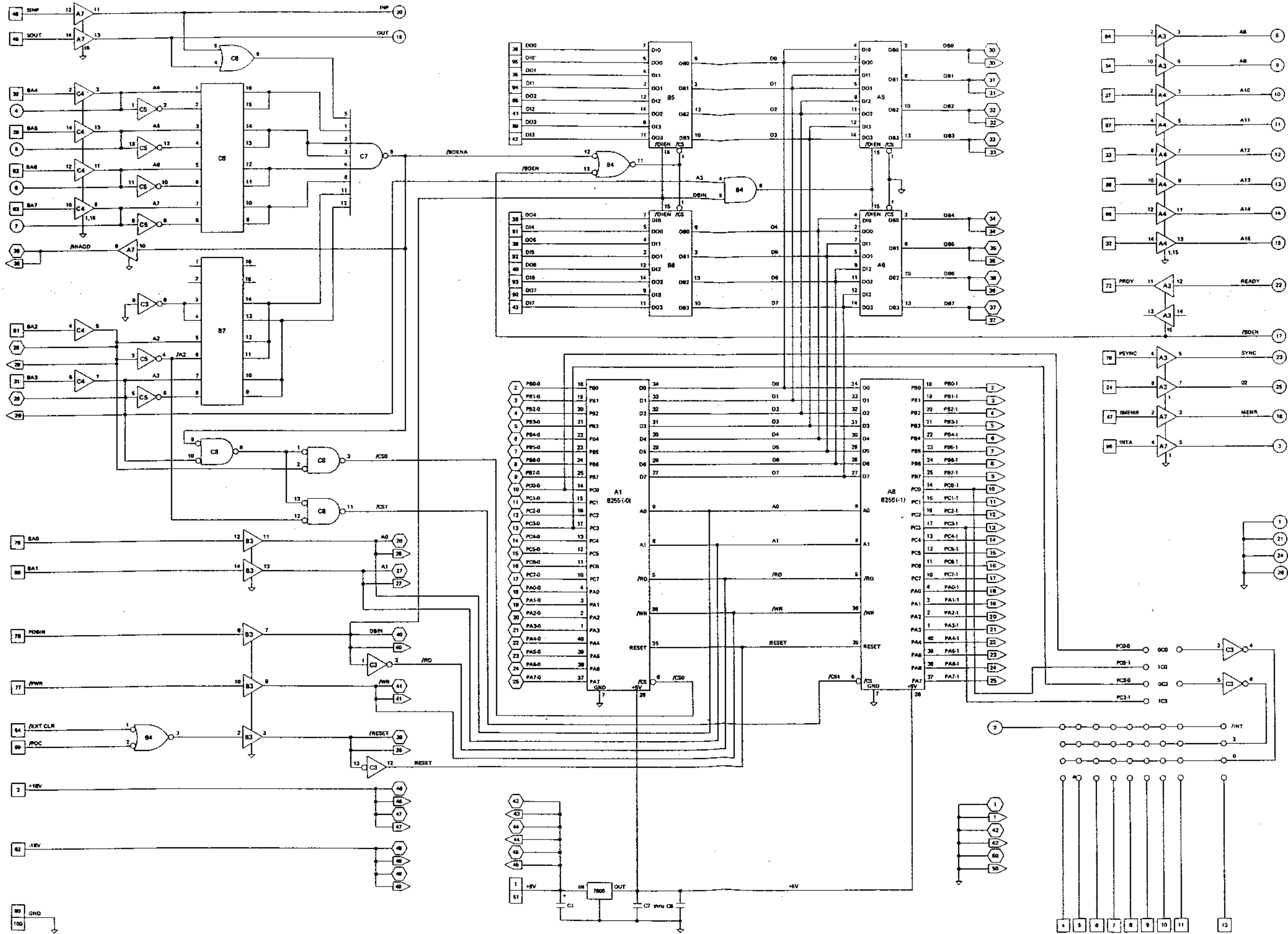
- L10 thru L17 LED'S
- L20 thru L27 LED'S
- L30 thru L37 LED'S
- L40 thru L47 LED'S

- R1 IKKW
- R2 IKKW
- R11 IKKW
- R20 IKKW
- R28 IKKW
- R38 thru R73 220 KW
- R3 thru R10 220 KW
- R12 thru R18 220 KW
- R21 thru R26 220 KW
- R30 thru R37 220 KW

IMS ASSOCIATES INC.  
SCHEMATIC DIAGRAM  
FIG. REV. 2 2/76

©1976

© 1977 IMSAI MFG. CORP.  
SAN LEANDRO, CA.  
ALL RIGHTS RESERVED WORLDWIDE  
MADE IN U.S.A.



- A1 8255
- A3 8T97
- A4 8216
- A5 8216
- A6 8216
- A7 8T97
- A8 8256
- B3 8T97
- B4 74LS08
- B5 8216
- B8 ADDRESS JUMPER SELECT
- C3 74LS04
- C4 8T97
- C5 74LS04
- C6 ADDRESS JUMPER SELECT
- C7 74LS30
- C8 74LS32
- C1 22uF
- C2 thru C8 0.1uF

© 1978 INSAI MFG. CORP.  
SAN LEANDRO, CA.  
SCHEMATIC DIAGRAM  
PIO-86 REV. 1 11/78

- = J1
- = J2
- △ = J3
- = J4

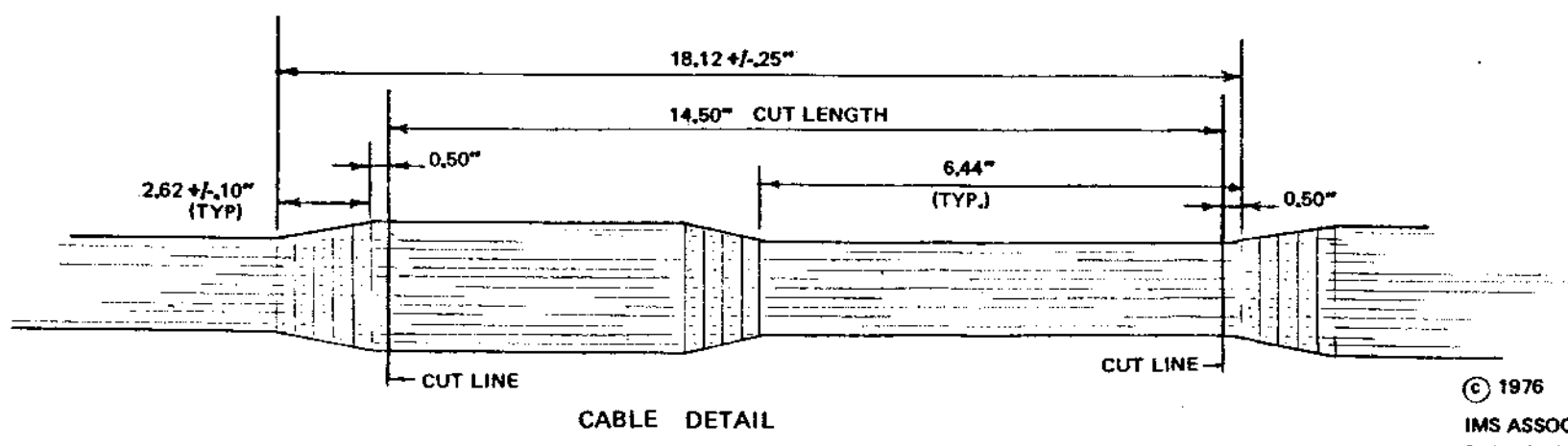
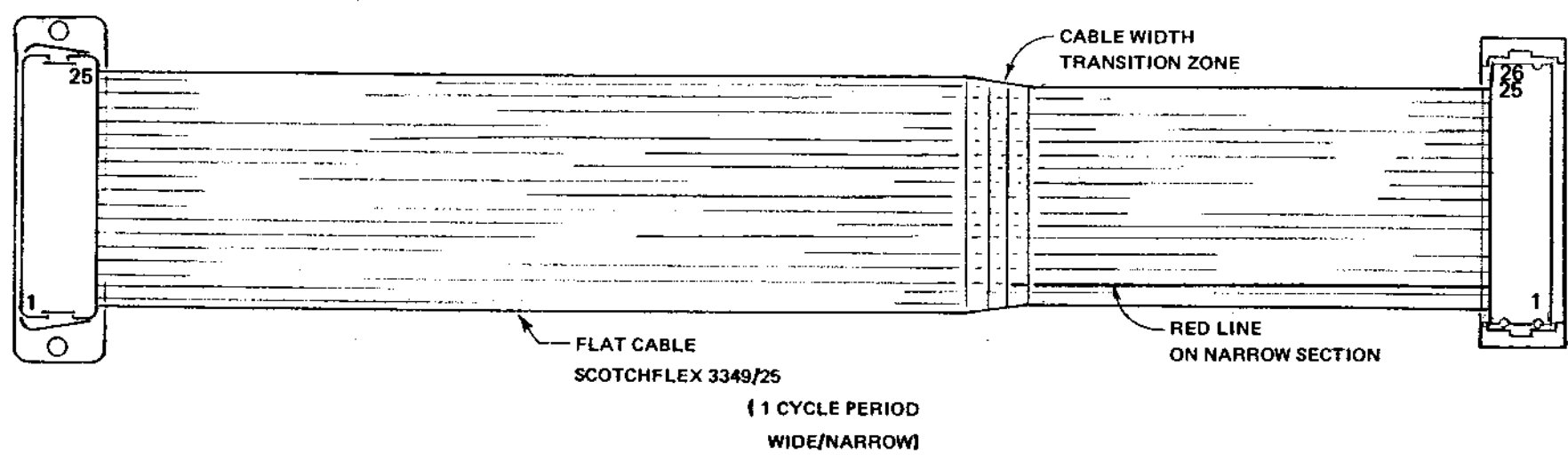




REVISIONS			
LTR	DESCRIPTION	DATE	APPROVED
0	ORIGINAL	8/76	
1	REVISED CABLE DIMENSIONS	8/76	

25 PIN FEMALE CONNECTOR  
 SCOTCHFLEX 3483-1000  
 MOUNTING HARDWARE SET  
 SCOTCHFLEX 3341-1

26 PIN SOCKET CONNECTOR  
 SCOTCHFLEX 3462-0001

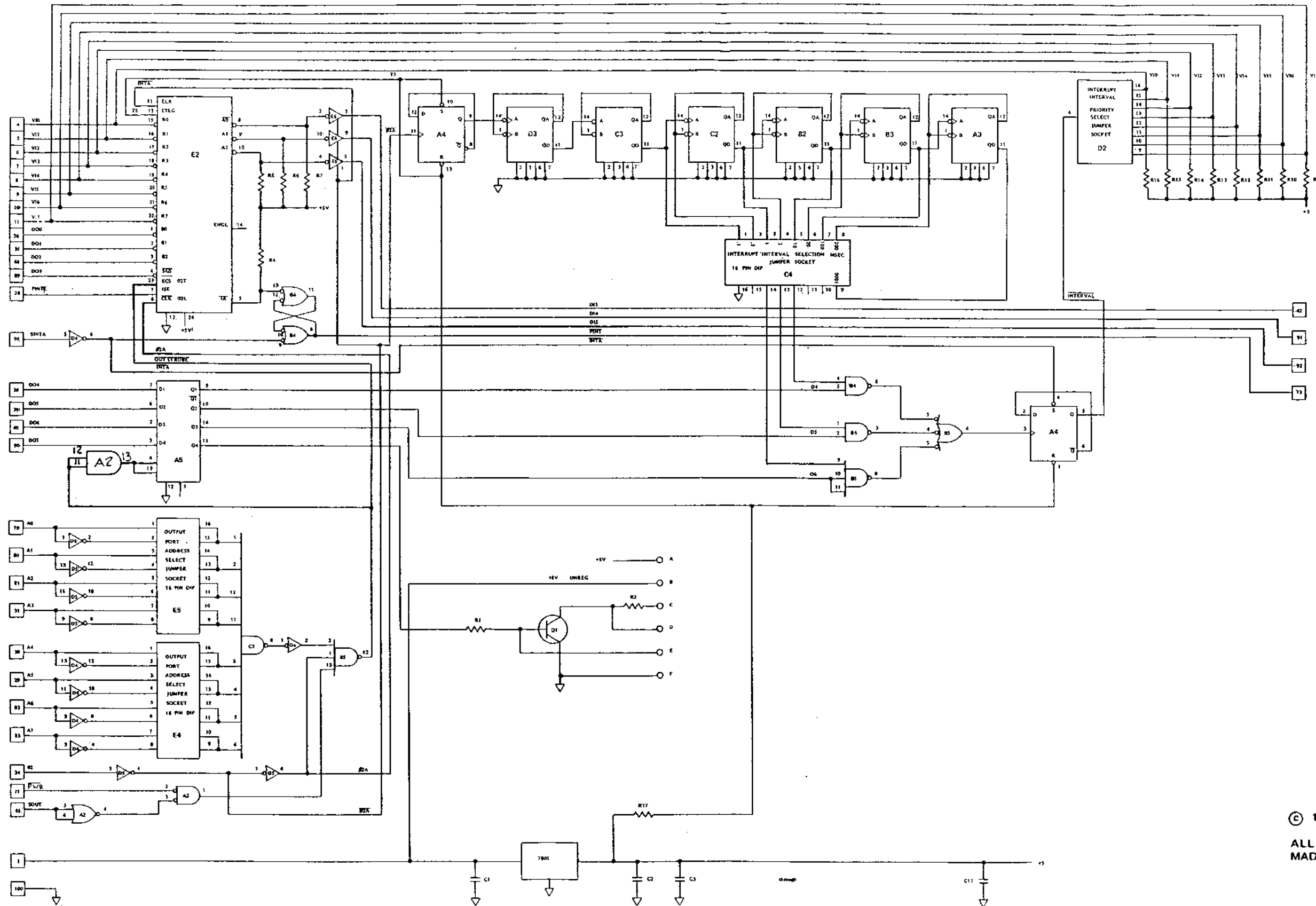


© 1977 IMSAI MFG. CORP.  
 SAN LEANDRO, CA.  
 ALL RIGHTS RESERVED WORLDWIDE  
 MADE IN U.S.A.

© 1976  
 IMS ASSOCIATES INC.  
 SAN LEANDRO, CA.

TOLERANCES UNLESS OTHERWISE SPECIFIED			
FRACTIONS	DEC.	ANGLES	
±	±	±	
APPROVALS	DATE	SIO CABLE A ASSEMBLY 91-0400003	
DRAWN YP	8/76		
CHECKED AZH	8/11/76	SCALE	DRAWING NO. 91-2040003
		SIZE B	
		DO NOT SCALE DRAWING	SHEET 1 OF 1

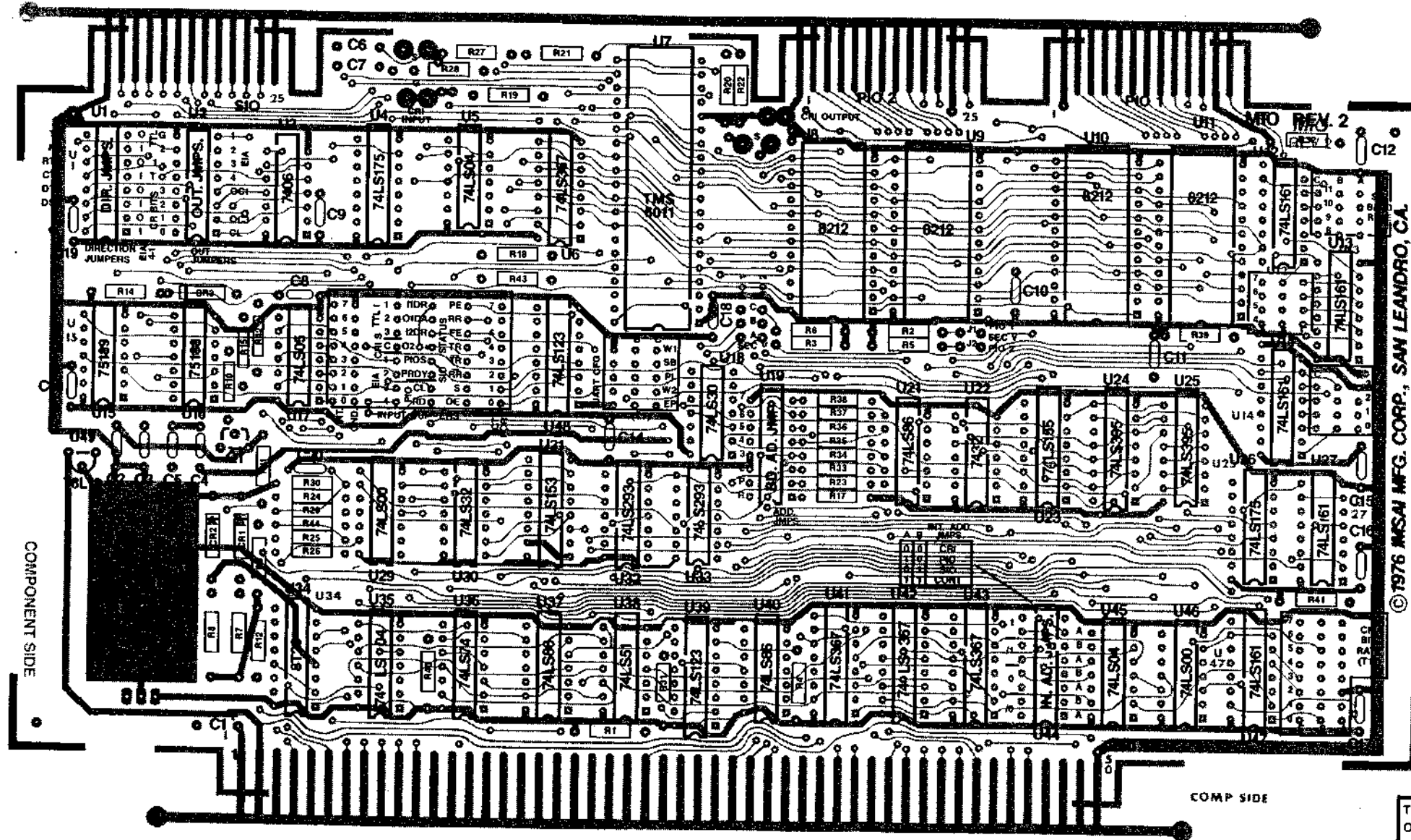
CAN. FULL COPY. NUMBER 074115  
**PIC-8**



- A2 74LS02
- A3 7490
- A4 7474
- A5 74LS75
- B2 } 7490
- B3 } 7490
- B4 } 7400
- B5 } 7410
- C2 } 7490
- C4 JUMPER SOCKET
- C5 74LS30
- D2 JUMPER SOCKET
- D3 7490
- D4 } 74LS04
- D5 } 7490
- E2 8214
- E4 } JUMPER SOCKET
- E5 } JUMPER SOCKET
- E8 8T98
- C1 } 33mF
- C2 } 33mF
- C3 thru C17 33mF
- Q1 2N3904
- R1, R3 thru R15 1K $\Omega$
- R2 220 $\Omega$

© 1977 IMSA1 MFG. CORP.  
 SAN LEANDRO, CA.  
 ALL RIGHTS RESERVED WORLDWIDE  
 MADE IN U.S.A.

REVISIONS			
LTR	DESCRIPTION	DATE	APPROVED
0	ORIGINAL MIO REV. 2	11/76	ajk

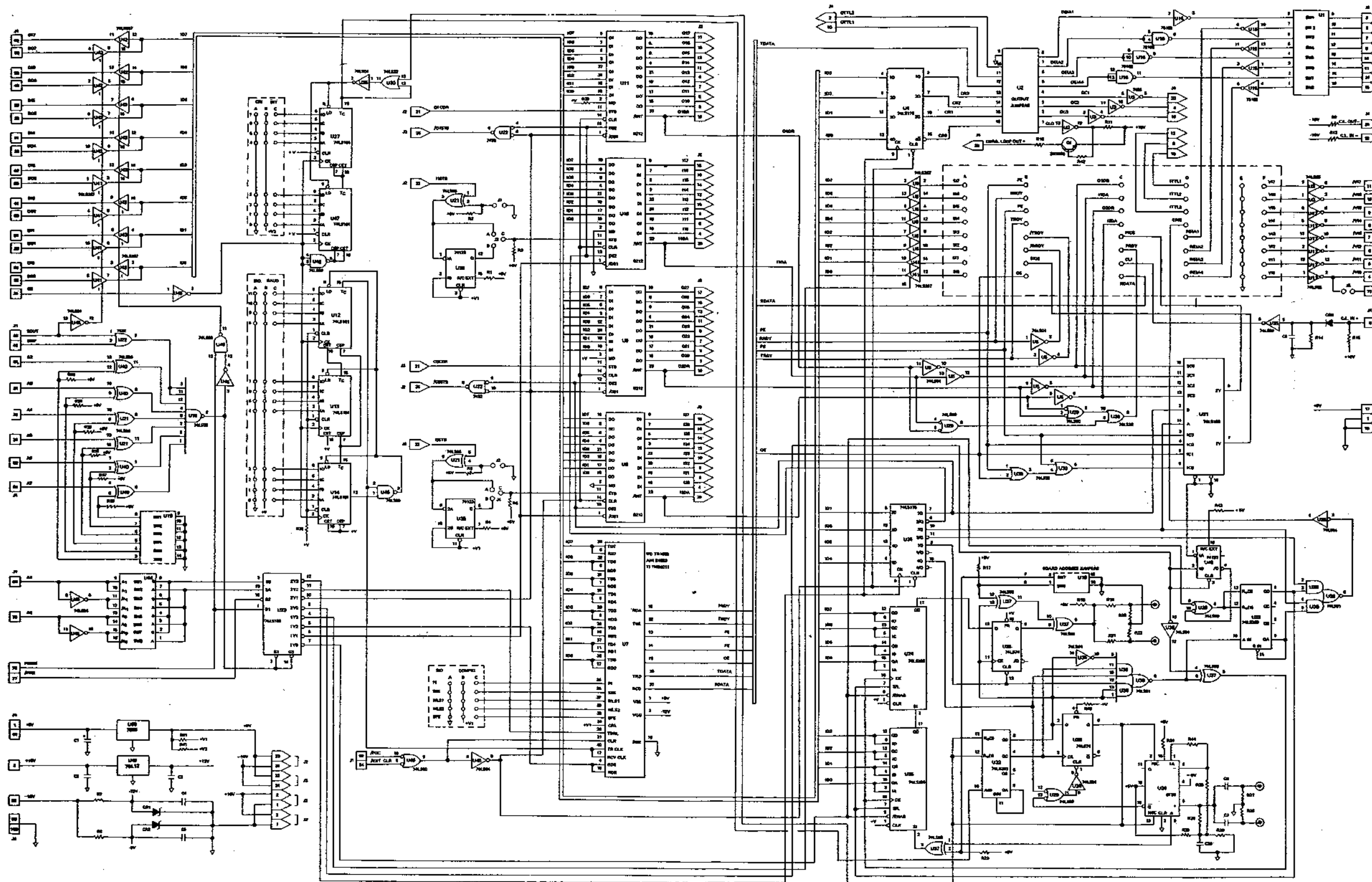


NOTES:  
 U1, U2, U19 & U44 are with 16 pin sockets.  
 U7 is a  
 U12, U13, U14, U27, U47 are 74LS161 or 74LS163  
 U39 & U48 are 74LS123 or 74123.  
 Capacitors are .1uF unless noted below.  
 C1 is 33uF  
 C6 & C7 are .02uF  
 Resistors are 1/4 watt unless noted.  
 R1, R4, R24, R43 & R44 are 36K.  
 R2, R3, R5, R6, R17, R18, R22, R23, R31 through R41 are 1K.  
 R7 is 56 1/2 watt.  
 R8 is 470 1/2 watt  
 R9 & R15 are 1.2K.  
 R10, R12 & R29 are 470.  
 R11, R19, R21, R25, R26 & R42 are 10K.  
 R14 is 330  
 R27 & R28 are 100  
 R30 is 220  
 Diode CR1 is 1N4742  
 Diode CR2 is 1N751A.  
 Diode CR3 is 1N914  
 Transistor Q1 is 2N3906

© 1977 IMSAI MFG. CORP.  
 SAN LEANDRO, CA.  
 ALL RIGHTS RESERVED WORLDWIDE  
 MADE IN U.S.A.

TOLERANCES UNLESS OTHERWISE SPECIFIED		© 1976 IMSAI MFG. CORP. SAN LEANDRO, CA.	
FRACTIONS	DEC.	ANGLES	
±	±	±	
APPROVALS	DATE	ASSEMBLY DIAGRAM MIO REV. 2 11/76	
DRAWN <i>Raw</i>	11/10/76		
CHECKED <i>LD</i>	11/12/76		
SCALE	SIZE	DRAWING NO.	
	<b>B</b>		
DO NOT SCALE DRAWING			SHEET

© 1977 IMSAI MFG. CORP.  
 SAN LEANDRO, CA.  
 ALL RIGHTS RESERVED WORLDWIDE  
 MADE IN U.S.A.



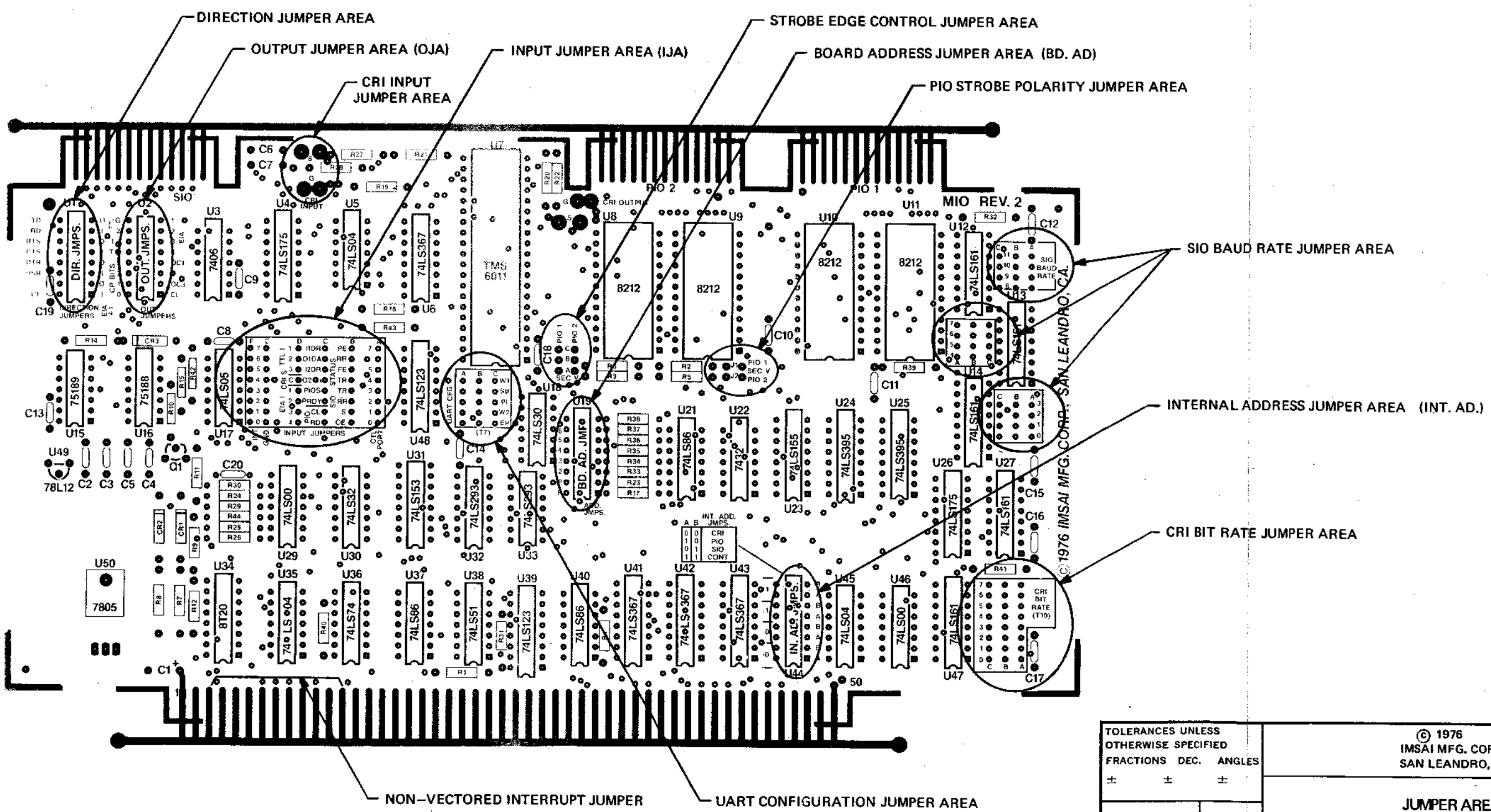
- |     |                          |     |              |
|-----|--------------------------|-----|--------------|
| U1  | DIRECTION JUMPERS        | C1  | 33uF         |
| U2  | OUTPUT JUMPERS           | C2  |              |
| U3  | 7406                     | C3  | .1uF         |
| U4  | 74LS175                  | C4  |              |
| U5  | 74LS04                   | C5  | .02uF        |
| U6  | 74367                    | C6  |              |
| U7  | UART                     | C7  |              |
| U8  |                          | C8  | thru .1uF    |
| U9  | 8212                     | C20 |              |
| U10 |                          | R1  | 36K 1/4W     |
| U11 |                          | R2  | 1K 1/4W      |
| U12 |                          | R3  | 36K 1/4W     |
| U13 | 74LS163 or 74LS161       | R4  | 1K 1/4W      |
| U14 |                          | R5  | 56 1/4W      |
| U15 | 75189                    | R6  | 470 1/4W     |
| U16 | 75188                    | R7  | 1.2K 1/4W    |
| U17 | 74LS05                   | R8  | 470 1/4W     |
| U18 | 74LS30                   | R9  | 10K 1/4W     |
| U19 | BOARD ADDRESS JUMPERS    | R10 | 470 1/4W     |
| U21 | 74LS86                   | R11 | 10K 1/4W     |
| U22 | 7432                     | R12 | 470 1/4W     |
| U23 | 74LS155                  | R13 | 330 1/4W     |
| U24 |                          | R14 | 1.2K 1/4W    |
| U25 | 74LS395                  | R15 | 1K 1/4W      |
| U26 | 74LS175                  | R16 | 10K 1/4W     |
| U27 | 74LS163 or 74LS161       | R17 | 1K 1/4W      |
| U29 | 74LS00                   | R18 | 10K 1/4W     |
| U30 | 74LS32                   | R19 | 1K 1/4W      |
| U31 | 74LS153                  | R20 | 1K 1/4W      |
| U32 | 74LS293                  | R21 | 10K 1/4W     |
| U33 |                          | R22 | 1K 1/4W      |
| U34 | 8T20                     | R23 | 36K 1/4W     |
| U35 | 74LS04                   | R24 | 10K 1/4W     |
| U36 | 74LS74                   | R25 | 100 1/4W     |
| U37 | 74LS86                   | R26 | 470 1/4W     |
| U38 | 74LS51                   | R27 | 220 1/4W     |
| U39 | 74LS123 or 74123         | R28 | thru 1K 1/4W |
| U40 | 74LS86                   | R29 | 10K 1/4W     |
| U41 |                          | R30 | 36K 1/4W     |
| U42 | 74367                    | R43 | 1N4742       |
| U43 |                          | R44 | 1N751A       |
| U44 | INTERNAL ADDRESS JUMPERS | CR1 | 1N914        |
| U45 | 74LS04                   | CR2 | 2N3906       |
| U46 | 74LS00                   |     |              |
| U47 | 74LS161 or 74LS163       |     |              |
| U48 | 74LS123 or 74123         |     |              |
| U49 | 78L12                    |     |              |
| U50 | 7805                     |     |              |

© 1976 IMSAI MFG. CORP.  
 SAN LEANDRO, CA.

SCHEMATIC DIAGRAM

MIO REV. 2 11/76

REVISIONS			
LTR	DESCRIPTION	DATE	APPROVED
0	ORIGINAL	11/24/76	



TOLERANCES UNLESS OTHERWISE SPECIFIED	
FRACTIONS	DEC. ANGLES
±	± ±
APPROVALS	DATE
DRAWN <i>C. DeLo</i>	11/24/76
CHECKED	

© 1976 IMSAI MFG. CORP. SAN LEANDRO, CA.		
JUMPER AREA MAP MIO REV. 2		
SCALE	SIZE <b>B</b>	DRAWING NO.
DO NOT SCALE DRAWING		SHEET

