

ד'עבאחונע

5505
Computer Unit
Technical Manual

5505 COMPUTER

MAINTENANCE

TABLE OF CONTENTS

1. GENERAL	3
Features.	3
2. PHYSICAL DESCRIPTION	6
Front Panel	7
Rear Panel	7
Card Cage -- S-100 Bus.	10
S-100 Bus Cards	11
Power Supply Module	14
Diskette Drive.	14
Winchester Drive.	14
3. FUNCTIONAL DESCRIPTION	15
4. SPECIFICATIONS	21
5. OPERATION AND INSTALLATION	27
Unpacking	27
Ac Line	28
Options	28
Set Up and Turn On.	28
6. MAINTENANCE.	35
Customer Support Service.	35
Repacking and Returning Material.	35
Diagnostics	37
Fault Location.	37
Power Supply Module Voltages and Adjustment	38
Removing Assemblies	39
7. REFERENCES	44
S-100 Bus	44
Schematics and Replaceable Parts.	44
OEM Equipment	44

ILLUSTRATIONS

Table 1-1 — 5505 Computer, Models	5
Figure 2-1 — 5505 Computer, Front Panel	5
Table 2-1 — 5505 Computer, Front Panel Controls and Indicators.	6
Figure 2-2 — 5505 Computer, Rear Panel.	8
Table 2-2 — 5505 Computer, Rear Panel Controls and Connectors	8
Table 2-3 — 5505 Computer, Interior Major Assemblies.	13
Figure 3-1 — 5505 Computer Functional Block Diagram	17
Table 4-1 — 5505 Computer Functional Specifications	22
Figure 5-1 — Central Processing Unit, Option Switch Settings.	31
Figure 5-2 — 64K Random Access Memory, Option Switch Settings	32
Figure 5-3 — Disk Controller, Option Switch Settings.	33
Figure 5-4 — Auxiliary Disk Controller, Option Switch Settings.	34
Figure 6-1 — Dynabyte Identification Plate.	37
Figure 6-2 — Power Supply Module Voltage Test Points, BS1	38
Table 6-1 — Troubleshooting Chart	42
Table 7-1 — Dynabyte S-100 Bus Pin Assignments.	45
Figure 7-1 — 5505 Computer Chassis Wiring Diagram	51
Table 7-2 — 5505 Computer Replaceable Parts List.	52

1. GENERAL

1.01 This manual provides a physical and functional description and the operating theory necessary for effective installation and field service of the 5505 Computer.

Features

1.02 The 5505 Computer, illustrated on the title page, is supplied individually or as a system component to a larger Dynabyte computer system. Its features include the following:

- Z-80 microprocessor operating at 4 MHz.
- Two serial, software-programmable 110 to 76,800 baud ports. Each of the ports' data lines may be configured to an RS-232C level or 20 mA current loop data communication line interface.
- One parallel port with full handshaking logic.
- Double Density Diskette Controller.
- Mini-Winchester Controller.
- Built-in Diskette Drive in single-sided or double-sided configuration (see Table 1-1).
- Built-in Mini-Winchester Drive (see Table 1-1).
- Ten internal timers.
- Sixteen prioritized vectored interrupts.
- A real-time clock.
- 64K of Random Access Memory. Optional memory to 400K bytes can also be provided with multiple memory cards.
- The power supply module features preregulation to minimize operational problems from brown outs and line voltage surges.
- Efficient cooling of the 5505 S-100 cards and power supply is assured by a 4-5/8 inch axial fan furnishing air through the chassis and exhausted out through the rear panel.
- The backplane is shielded and fully socketed for 12 S-100 card positions.
- Heavy duty metal construction.
- The front panel switches POWER and RESET-HALT are illuminated.
- A line fuse is provided for ac line protection.

- Each internal subassembly is modular and is unit-replaceable for ease in servicing.
- Each 5505 carries a 180-day warranty on parts and labor from the date of shipment from Dynabyte.
- Each 5505 is burned in for a minimum of 72 hours.

Table 1-1 — 5505 Computer, Models

	5505 - A1	5505 - B1	5505 - C1
Floppy Disk Drive			
Surfaces	1	2	2
Unformatted Capacity	500K	1000K	1000K
Formatted Capacity	315K	655K	655K
Winchester Hard Disk Drive			
Surfaces	4	4	6
Unformatted Capacity	6.4MB	10.67MB	16MB
Formatted Capacity	5.32MB	8.9MB	13.4MB

1.03 Dynabyte maintains hardware and software compatibility with Dynabyte S-100 cards used in the Dynabyte S-100 Bus only. S-100 I/O cards, e.g., modems, clocks, and parallel ports from other manufacturers will be compatible with the Dynabyte S-100 Bus in most cases. Contact Dynabyte for specific applications.

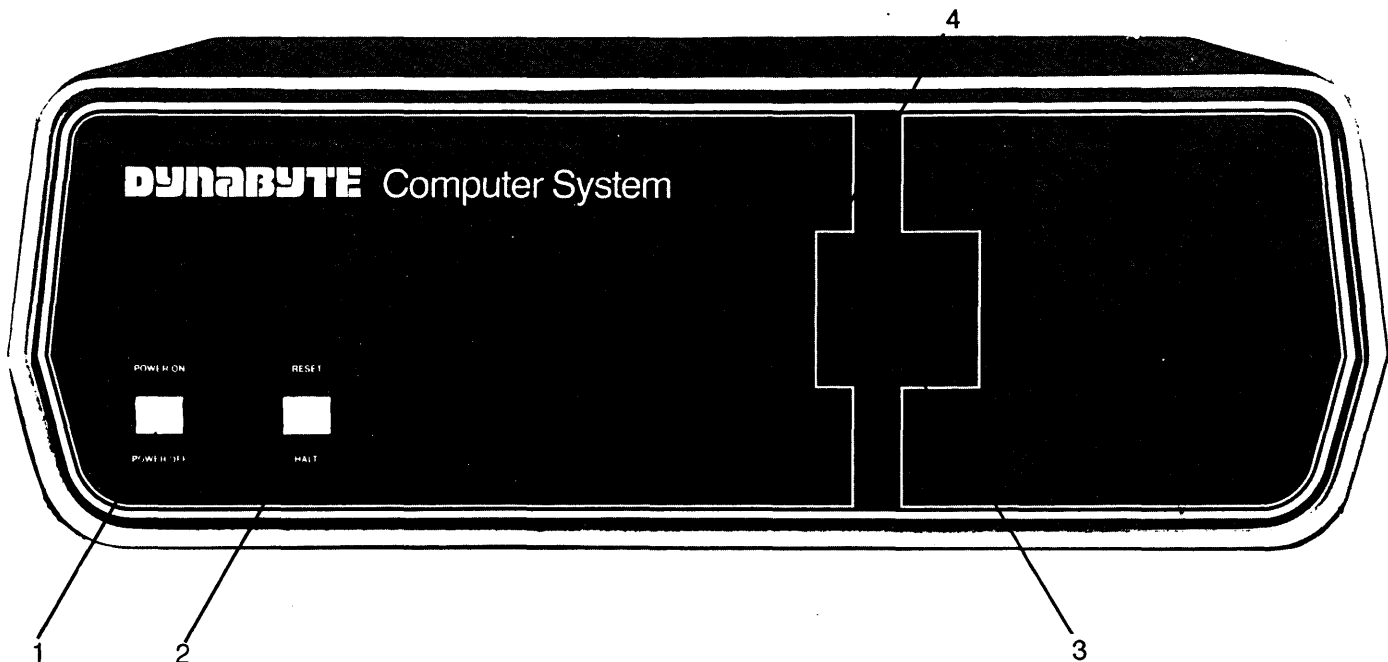


Figure 2-1 — 5505 Computer, Front Panel 807129

Table 2-1 -- 5505 Computer, Front Panel Controls and Indicators

Key	Element	Function
1	POWER ON OFF Switch and Indicator	Applies the ac line to the 5505 Computer and the ac power receptacle on the rear panel. Refer to Figure 2-2, Key 3. The indicator lights when +8 Vdc is available from the power supply.
2	RESET Switch and HALT Indicator	Momentarily grounds the S-100 Reset line generating a Power On Clear (POC) sequence: <ol style="list-style-type: none"> (1) CPU Program Counter is reset, (2) Disk Controller is reset. When the indicator is lit, the CPU has stopped at a Z-80 HLT (76H) instruction in the program.
3	Diskette Drive	Provides for reading and writing onto 5.25" double and single sided floppy Diskettes for permanent storage of programs and data files.
4	Diskette Drive Select Indicator	Lit when Disk Controller selects drive for a read or write operation.

2. PHYSICAL DESCRIPTION

2.01 The 5505 Computer is an integrated piece of electronic equipment incorporating all necessary component assemblies. The principle assemblies are:

- (1) Power Supply Module
- (2) Central Processing Unit (CPU)
- (3) S-100 Bus Card Cage and Motherboard
- (4) Random Access Memory (RAM)
- (5) Floppy Disk Controller
- (6) Diskette Drive
- (7) Hard Disk Controller
- (8) Winchester Hard Disk Drive

Some of the optional assemblies are:

- (9) Octaport (an eight-port serial I/O).
- (10) Additional Random Access Memory (RAM).

Details on these individual assemblies, as well as their schematic diagrams and replaceable parts lists, are furnished under separate cover as individual technical manuals. These assemblies have been enclosed in an exceptionally compact package measuring 52 cm x 47 cm x 18 cm (20.5 in. x 18.5 in. x 7 in.) weighing 25 kg (about 55 lbs.).

2.02 The 5505 draws nominally 400 VA of 115 Vac, 60 Hz commercial power. It may be factory optioned for operation from a 230 Vac, 50 Hz line.

2.03 The 5505 is designed to operate efficiently in an environment with an ambient temperature range from 10 to 35 degrees Centigrade (50 to 95 degrees Fahrenheit) and with a relative humidity from 20 to 80 percent.

2.04 Figures 2-1 and 2-2 provide number key callouts of all components located on the front, rear and interior of the 5505. Associated Tables 2-1 through 2-3 provide a cross reference for each callout, identifying the respective part as to function, description and/or designation.

Front Panel

2.05 Refer to Figure 2-1 for the description which follows. The 5505 Computer Front Panel has only two operating controls with which the user should be concerned.

(1) The POWER ON OFF Switch turns the computer on and off. The switch also connects the ac line power to a convenience receptacle on the rear panel. The switch also contains an indicator which lights when there is an output from the internal +8 Vdc power supply.

(2) The RESET Switch is used to restart the computer if it should become locked up due to a software or hardware malfunction. Operating the RESET Switch causes the S-100 Reset Line, Pin 75, to be active low. The Reset Line is an input to the Power On Clear (POC) circuits and resets the CPU Program Counter, Disk Controller, etc. Then the CPU initiates a reboot by jumping to a starting address appropriate for the user's system. The switch also contains an indicator, which, when lit, indicates the CPU has read a Halt (HLT) instruction and has stopped.

The right half of the front panel contains the 5.25 inch diskette storage unit.

Rear Panel

2.06 Figure 2-2 illustrates the Rear Panel of the 5505 Computer. Table 2-2 tabulates and describes each of the rear panel elements. Ac line and computer Input Output (I/O) connections are through the rear panel. At the right, the ac line is connected through an IEC connector. This permits the 5505 to be connected domestically to 115 Vac, 60 Hz with a National Electrical Manufacturers Association (NEMA) cord set or internationally with a cord set appropriate for that country. A line fuse provides protection for the 5505 and equipment powered from the ac convenience receptacle above.

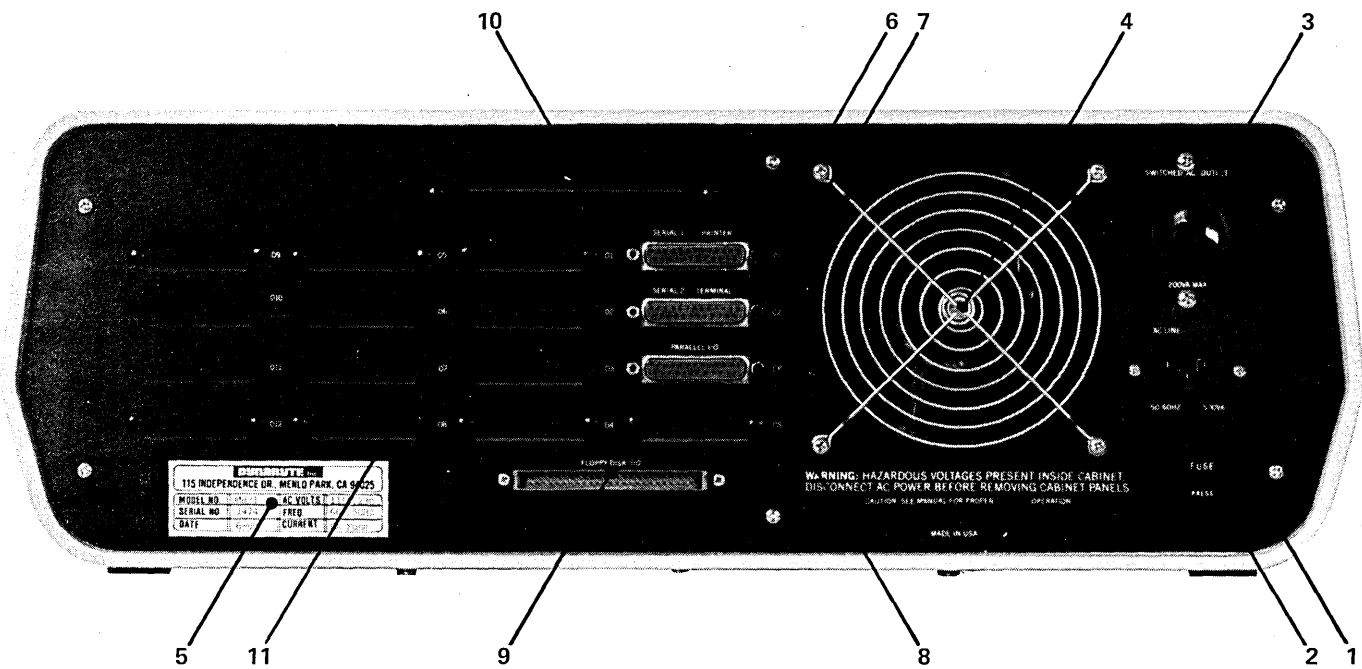


Figure 2-2 — 5505 Computer, Rear Panel - 802470

Table 2-2 — 5505 Computer Rear Panel Controls and Connectors

Key	Element	Function
1	Ac Line Receptacle (J6)	IEC standard three-wire male receptacle. Provides for ac line, neutral and a third wire bonded to the chassis frame. Mates with Belden P-2392 ac cord set for U.S. domestic use or the appropriate cord set for the export country.
2	Ac Line Fuse (F1)	Provides ac line overcurrent protection: (1) 115 Vac -- 6 A. (2) 230 Vac -- 3 A. Early serial number units are provided with a circuit breaker in this position.
3	SWITCHED AC OUTLET Receptacle (J7)	NEMA three-wire female receptacle provides for the ac line, neutral and third wire bonded to the chassis frame. This receptacle is switched

4	Axial Fan	by the POWER ON Switch on the front panel - refer to Figure 2-1, Key 1 - and is protected by fuse, Key 2, above. Provides for drawing heat from the power supply module and internal heat dissipating pc assemblies.
5	Dynabyte Identification Plate	Furnishes the model and serial number necessary for warranty service. Refer to Figure 6-1.
6	SERIAL 1 PRINTER Port Receptacle	DB-25-S connector. Optionally EIA RS-232C or 20 mA current interface. Connection point for the EIA cable to the Serial Printer.
7	SERIAL 2 TERMINAL Port Receptacle	DB-25-S connector. Optionally EIA RS-232C or 20 mA current interface. Connection point for the EIA cable to the Video Terminal.
8	PARALLEL I/O Port Receptacle	DB-25-S connector. Eight-bit parallel I/O connection point to 25-conductor cable to a parallel printer.
9	FLOPPY DISK I/O Receptacle	50-conductor ribbon connector. Provides a connection point for the cable to the Dynabyte 5010 Dual Diskette Storage.
10	Hard Disk I/O Access Hole and Clamp	Furnishes a hole and clamp for the cable to the Dynabyte 5012 Cartridge Module Drive or 5011 or 5013 Winchester Drive.
11	I/O Port Connector Area	Provides positions for DB-25-S connectors. Figure 2-2 illustrates connectors for: (1) Three ports from the CPU (2) Up to 16 ports from up to two Octaport cards.

CAUTION

Power consumption from the ac convenience receptacle is limited to 200 V A.

2.07 A four-inch fan draws heat dissipated internally out of the rear panel. Air is drawn into the 5505 cabinet through louvers provided in the bottom of the cabinet.

IMPORTANT

Install the 5505 Computer so as not to obstruct the air flow through the louvers in the bottom of the cabinet and allow a three-inch clearance from the rear of the fan.

Desk-type system cabinets supplied from Dynabyte are designed to assure constant air flow through the computer.

2.08 Several mass storage devices can be used with the 5505. The rear panel furnishes connector access for these devices.

- (1) A fifty-pin ribbon cable connector provides for disk I/O signals, control signals and status signals to a Dynabyte 5010 Dual Diskette Storage Unit.
- (2) A rectangular hole provides access for a multi-wire ribbon cable for disk I/O signals, control and status to a Dynabyte 5011 or 5013 storage unit.

2.09 Sixteen positions are provided on the rear panel for DB-25-S connectors and are used for I/O signals to the system peripheral devices such as:

- (1) Serial Printers
- (2) Video Terminals
- (3) Parallel I/O Printer
- (4) Acoustical Coupler or Modems

Each installation will vary depending upon the selection of peripheral devices and the applications programs in use. Three I/O ports are furnished as part of the CPU. These are shown connected to the rear panel illustrated in Figure 2-2. In applications requiring additional ports, a Quadraport or an Octaport may be installed into the S-100 Bus and interconnected to the rear panel. Both the front and rear panels are secured to their respective bezel by 6-32 Kep nuts. Each bezel is secured to the base plate by 6-32 screws. Both panel and bezel may be easily removed for servicing or installation of additional I/O ports in the field.

Card Cage — S-100 Bus

2.10 The card cage furnishes a rigid support structure for the S-100 Bus cards when they are inserted into the S-100 Bus. The Motherboard PC Assembly contains 12 S-100 Bus receptacles or jacks, J1 through J12. Each jack has 100 separate pins. The actual bus consists of 100 parallel traces on the pc board connecting the same pin on each jack. Each line has a ground trace between it and the adjacent line to minimize coupling between signal lines.

2.11 The S-100 Bus lines are described by function in Part 3 of this manual. Physically they make up five groups:

- (1) Power and common lines. These are connected to the power supply module discussed in 2.17. Six lines.
- (2) Address lines. 16 lines.
- (3) Data In and Out lines. 16 lines.
- (4) Control Signal lines. 40 lines.
- (5) Dynabyte Reserved lines. 22 lines.

The Motherboard PC Assembly also contains a few discrete components which make up the Halt Detector. The Halt Detector and Reset line are connected to the front panel by a four-conductor receptacle, J13, connected to plug, P13, mounted at the front edge of the Motherboard PC Assembly.

S-100 Bus Cards

2.12 Dynabyte S-100 Bus cards are pc assemblies normally measuring 5 x 10 inches. A 100-pin edge connector mates with the S-100 Bus connector on the motherboard. This connector is offset by 5/8 inch from the card centerline, i.e., an S-100 Bus card cannot be inserted into a jack backwards.

2.13 Dynabyte S-100 Bus cards may have one or more on-board regulators for regulating and distributing the dc power supply voltages from the bus to the logical elements on the card.

NOTE

An S-100 Bus card should never be inserted
or removed from the bus when the ac line
power is on.

2.14 A solder mask is applied to the component and non-component sides of the pc boards when it is manufactured and before it is loaded with components. This mask covers all surfaces except:

- (1) The 100 gold-plated fingers of the edge connectors,
- (2) Each of the plated-through holes.

The solder mask assures there will be no bridges between traces. The soldering operation can then only take place at a hole where normally solder joins a component lead and a pad.

2.15 Dynabyte S-100 Bus cards usually provide sockets for most multi-lead active devices to facilitate fault location and servicing.

2.16 Options for Dynabyte S-100 cards are provided by three methods:

- (1) Dual-In-Line packaged (DIP) switches of one to nine poles, SPST, are normally used in functions which may have to be set to the user's individual

installation.

(2) Bare wire straps are soldered into the pc board for options which are installed at the factory. These are not to be changed in the field except by instructions from Dynabyte Customer Support or when specified in the individual Dynabyte S-100 Bus Card Technical Manual.

IMPORTANT

Never change the settings of an Option Switch without referring to the Option Switch Tables in the individual Dynabyte S-100 Bus Card Technical Manual.

(3) Instructions are written into a programmable read-only memory (PROM) at the Dynabyte factory, resulting in a read-only memory (ROM). In some applications a ROM can be "phantomed" into a desired range of addressed RAM. Phantoming means a memory segment can replace another under program control. When the 5505 is set to POWER ON or RESET is operated, the CPU jumps to the starting address of the disk controller ROM. The ROM boot instructions are overlaid at the common address location. These instructions are for the CPU to read Track 0, Sector 1 from Drive A. This particular operation is called the ROM Boot. Track 0, Sector 1 contains additional instructions which are loaded into RAM and executed. These instructions cause the CPU to read the Dynabyte Disk Operating System from the diskette or disk. This second operation is called the Disk Boot. The ROM is then switched out.

NOTE

Dynabyte ROMs are individually marked with a Dynabyte part number. The part number represents an individual program for a specific equipment configuration. The ROM part numbers are tabulated for various equipment configurations in the specific S-100 Bus Card Technical Manual.

Changes in options of this type are made by exchanging the particular ROM. ROMs are only available from Dynabyte.

2.17 Dynabyte S-100 Bus cards carry a distinctive white silkscreened marking on the component side of the pc assembly.

- (1) The card name and part number. This facilitates board identification and referencing for reordering, servicing and referencing the appropriate Dynabyte S-100 Card Technical Manual, schematic or replaceable parts list.
- (2) Component reference designators are marked when practical. They facilitate locating the individual part on a schematic or parts list.

Most Dynabyte PC assemblies derive the major component reference designators from a row-column matrix silkscreened onto the pc board. For example, rows are A to D and columns are 1 to 18 on the 64K RAM card. An integrated

circuit located in the upper left corner is A1 and the one located in the lower right corner is D18.

Table 2-3 — 5505 Computer, Interior Major Assemblies

Element	Function
Axial Fan	Provides forced air cooling to the power supply module and internal heat dissipating pc assemblies.
Power Supply Module 807392	<p>Accepts 115 or 230 Vac, 50-60 Hz and supplies the following preregulated voltages to the S-100 Bus and other assemblies:</p> <ul style="list-style-type: none"> (1) +16 Vdc (2) +12 Vdc (3) + 8 Vdc (4) + 5 Vdc (5) Power Supply common (6) -16 Vdc.
Card Cage and S-100 Bus PC Assembly 800038	Provides 12 pc assembly positions. Power and signal busses are tabulated by function in Table 7-1.
Front Panel Indicator Connector J13	A four-position connector which provides a connection point for the cable to the POWER ON, HALT indicators and the RESET switch on the front panel.
Front Panel Power Connector	A two-position connector which provides a connection point for the cable to the POWER ON switch on the front panel.
CPU I/O Cable 800285	Provides for the interconnection of data, status and control between the CPU PC Assembly and the rear panel I/O ports. Refer to Table 2-2, Key 6, 7 and 8.
Floppy Main Aux Rear Cable 807658	Provides for the interconnection of data, status and control between the Floppy Controller PC Assembly and the Rear Panel Disk I/O receptacle. Refer to Table 2-2, Key 9.
Random Access Memory PC Assembly 800589	Provides storage for the Operating System, Application Program and variables during program execution.
CPU PC Assembly 803439	Provides a central processor, interrupt logic, two serial I/O ports and one parallel I/O port.

Disk Controller PC Assembly 807525	Provides the logic, status registers and ROM bootstrap to support the Dynabyte diskette drive.
Winchester Controller PC Assembly 807677	Provides the logic, status registers and data buffer to support the hard disk drive.
Cabinet Louvers	Provides air inlets for drawing air into the cabinet for ventilation.
Auxiliary Controller 807506	Provides the specialized electrical functions for: <ul style="list-style-type: none"> (1) 5.25 inch diskette drives (2) 8.00 inch diskette drives option strapping allows the Disk Controller, Key 10 above, to work with both types of media.
5.25 Floppy Drive to Aux Cable 807639	Provides for supplying I/O signals to the drive module.
Data Separator Card 807243	Converts data in a disk format to data readable by the Winchester Controller.

2.18 Input/Output (I/O) Signals not affecting the S-100 Bus are transferred over special multi-pin connectors normally located at the top of the pc assembly. Cable harnesses which mate with these connectors are normally made up of flat multi-pair or flat twisted multi-pair cable.

Power Supply Module

2.19 The power supply module is located at the rear of the 5505 cabinet between the card cage and the rear panel. The power supply operates on 115 or 230 Vac, 50 or 60 Hz line, optioned internally by straps. It utilizes a phase-controlled regulator to provide ac line and load regulation. The supply operates at relatively high efficiency and utilizes a minimum of components resulting in high reliability. The ac chassis wiring to the power supply module includes an EMI filter to minimize radiation of power supply switching transients over the ac line.

Diskette Drive

2.20 The Diskette Drive is mounted at the right front of the chassis. Power for this module is furnished from the 5505 power supply module.

Winchester Drive

2.21 The Winchester Hard Disk is mounted at the right front of the chassis. Power for this module is furnished from the 5505 power supply module.

3. FUNCTIONAL DESCRIPTION

3.01 Part 3 will furnish the user with an overview of the 5505 Computer and the S-100 Bus. Detailed information on individual Dynabyte S-100 cards is provided in its technical manual.

NOTE

An * suffix to a signal name indicates logical NOT and active low.

3.02 Figure 3-1 illustrates the 5505 computer in block diagram. It should be used in conjunction with the schematic diagrams in Part 7 to familiarize the user with the circuits. The 5505 Computer chassis can be divided into four logical sections:

- (1) Operational Controls
- (2) Power Supply Module
- (3) S-100 Bus
- (4) 5.25 inch Diskette Drive
- (5) 5.25 inch Winchester Hard Disk Drive

3.03 Two operation controls are provided on the 5505 Computer.

(1) The POWER switch applies ac line voltage to the fan, ac convenience receptacle and power supply module. The POWER ON indicator is lit when the power supply module outputs nominally +8 Vdc.

(2) The RESET switch pulls the Reset line, Pin 75, of the S-100 Bus low to initiate a restart of the CPU, etc. The reset switch housing contains a lamp and indicates a halt when lit. A Halt Detector is part of the S-100 Motherboard PC Assembly. This detector monitors the HLTA line, Pin 48. When this status line goes high, a HLT instruction has been executed. The HALT indicator is lit.

3.04 The Power Supply Module converts ac line voltage to low dc voltages for the S-100 Bus and monitoring circuits. It provides regulation against ac line fluctuations and load variations of the S-100 Bus. The output voltages are nominally:

- (1) +16 Vdc
- (2) +12 Vdc
- (3) + 8 Vdc
- (4) + 5 Vdc
- (5) -16 Vdc.

One adjustment, R2 on the Modulator PC Assembly and part of the power supply module, is used to set the +8 Vdc supply output voltage. The other voltages are nominal and track the +8 Vdc. Refer to Figure 6-2 for the tolerance range.

3.05 Regulation is provided by a triac modulating the ac line applied to the low voltage power transformer. The +8 Vdc output line is monitored and a feedback loop is used to control the conduction of the triac resulting in phase-controlled regulation.

3.06 The +16, +8 and -16 output voltages are passively filtered. Ripple on the +8 Vdc line is 0.3 to 1 Volt. The +5 and +12 voltages are set and controlled by three-terminal regulators. These two voltages power the diskette and hard disk drives.

3.07 The S-100 Bus system consists of a set of signal lines used to carry all information, interface messages and device-dependent messages among interconnected devices.

3.08 The bus structure is organized into seven sets of signal lines: Refer to Table 7-1 for descriptions of the following.

- (1) Data Lines
- (2) Address Lines
- (3) Status Bus
- (4) Control Output
- (5) Control Input Bus
- (6) Vectored Interrupt Bus
- (7) Utility Bus.

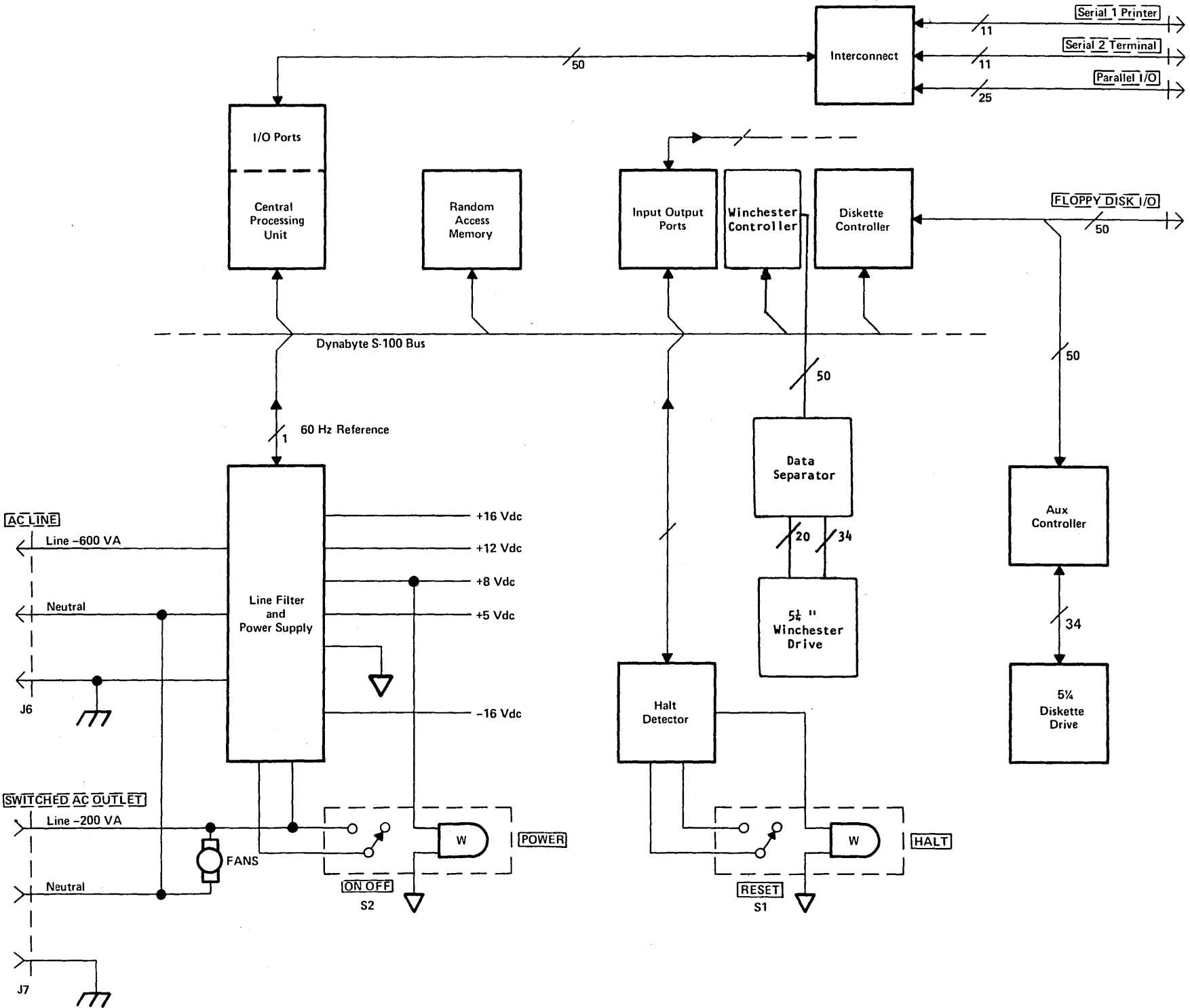


Figure 3-1 — 5505 Computer Functional Block Diagram

NOTE

In and Out References are in respect to the CPU.

3.09 The data bus consists of 16 lines grouped as two unidirectional 8-bit busses for byte operations.

- (1) Data output appears on the data output bus D00 - D07. D07 is the most significant bit.
- (2) Data input appears on the data input bus DI0 - DI7. DI7 is the most significant bit.

3.10 The address bus consists of 16 signal lines used to select a specific location in memory or a specific input/output device for communications during the current bus cycle. The memory address bus consists of 16 lines specifying 1 of 64K memory locations. These 16 lines are named A0 through A15, where A15 is the most significant bit. The I/O device address bus consists of lines, A0 through A7, specifying 1 of 256 I/O devices, with A7 used as the most significant bit. Address lines A15 - A8 are used as an I/O address modifier in specific cases, i.e., the Octoport.

3.11 The status bus consists of nine lines that identify the nature of the bus cycle in progress and qualify the nature of the address on the address bus. The mnemonics for status lines always begin with a lower case s and consist of:

- (1) Memory Read -- sMEMR
- (2) Op-Code Fetch -- sM1
- (3) Input -- sINP
- (4) Output - sOUT
- (5) Write Cycle -- sWO*
- (6) Interrupt Acknowledge -- sINTA
- (7) Halt Acknowledge -- sHLTA
- (8) Memory Request -- sMREQ*
- (9) Memory Refresh -- sRFSH*

3.12 The lines of the control output bus determine the timing and movement of data during any bus cycle. The mnemonics for the control output lines always begin with a lower case p. The four lines are:

- (1) pSYNC*, which indicates the start of a new bus cycle.
- (2) pDBIN, a generalized read strobe that gates data from an addressed slave onto the data bus.

(3) \overline{pWR}^* , a generalized write strobe that writes data from the data bus into an addressed slave.

(4) \overline{pHLDA} , the hold acknowledge signal that indicates to the highest priority temporary master that the permanent master is relinquishing control of the bus.

3.13 The five lines of the control input bus allow bus slaves to synchronize the operations of bus masters with conditions internal to the bus slave, e.g., data not ready, and to request operations of the permanent master, e.g., interrupt or hold. The five control input lines are:

- (1) RDY
- (2) XRDY
- (3) \overline{INT}^*
- (4) \overline{NMI}^*
- (5) \overline{HOLD}^*

The ready lines are used by bus slaves to synchronize bus masters to the response speed of the slave. Thus cycles are suspended and wait states inserted until both ready lines are asserted. The RDY line is the general ready line for bus slaves. It is specified as an open collector line. The XRDY line is a special ready line used by test devices to stop and single-step bus masters. It is not specified as an open collector line and should not be used by other bus slaves since a bus conflict may exist.

3.14 The two interrupt lines \overline{INT}^* and \overline{NMI}^* are used to request service from the permanent bus master. The \overline{INT}^* line may be masked off by the bus master, usually via an internal software generation. If the bus master accepts the interrupt request on the \overline{INT}^* line, it may respond with an interrupt acknowledge bus cycle accepting vectored information from the data bus.

3.15 The \overline{NMI}^* line is a nonmaskable interrupt request line, that is, it may not be masked off by the bus master. Accepting an interrupt on the \overline{NMI}^* line will not generate an interrupt acknowledge bus cycle. An interrupt request on the \overline{INT}^* line is asserted as a level, that is, the line is asserted until interrupt service is received. An interrupt request on the \overline{NMI}^* line, on the other hand, is asserted as a negative-going edge, since no interrupt acknowledge cycle will be generated. Both lines are specified as open-collector lines.

3.16 The hold request line, \overline{HOLD}^* , is used by temporary bus masters to request control of the bus from the permanent bus master to prevent temporary masters from gaining bus control. The \overline{HOLD}^* line is specified as an open collector line and may only be asserted at certain times.

3.17 The eight lines of the vectored interrupt bus are used in conjunction with the generalized vectored interrupt request, \overline{INT}^* , to arbitrate among eight levels of interrupt request priorities. The eight lines of the vectored interrupt bus are $\overline{VI0}^*$ through $\overline{VI7}^*$, where $\overline{VI0}^*$ is considered the highest priority interrupt. The vectored interrupt lines should be implemented as

levels; that is, they should be held active until service is received.

3.18 Power in the Dynabyte S-100 Bus systems is distributed to bus devices as unregulated voltages. A total of six bus lines is used:

- (1) +8 Volts, 2 lines
- (2) +16 Volts, 1 line
- (3) -16 Volts, 1 line
- (4) Power supply common, 2 lines.

3.19 The system clock, 4 MHz PHASE 2, is generated by the CPU. The control timing for all bus cycles must be derived from this clock. This signal is never transferred during a bus exchange operation.

3.20 Another line, called CLOCK, is specified as a 2 MHz, 0.5 percent tolerance, signal with no relationship to any other bus signal. It is used by counters, timers, baud-rate generators, etc.

3.21 System reset functions are divided into two lines:

- (1) RESET* is an open collector input line that requests a Power On Clear (POC).
- (2) POC*, power on clear is active on POWER ON and when requested by RESET*, is specified as having a minimum active period of 10 ms.

3.22 The memory write strobe, MWRT, is generated by the permanent bus master and is defined as:

$$\text{MWRT} = \text{pWR} \bullet \text{sOUT*} \text{ (logic equation)}$$

3.23 Another line, PHANTOM*, is provided for overlaying bus slaves at a common address location. When this line is activated, phantom bus slaves are enabled and normal bus slaves are disabled. This line is specified as an open-collector line.

3.24 The remaining lines are designated as Dynabyte reserved and for use in future S-100 card and system designs.

3.25 The Diskette Drive provides the 5505 Computer with internal mass storage for application programs and data files. Each diskette will store 655K formatted bytes in the double-sided mode. An Auxiliary Controller is part of the drive module. The Auxiliary Controller allows the Disk Controller, installed in the S-100 Bus, to be used with double density 5.25 inch diskettes. Disk Controller I/O signals are supplied to a 50-pin receptacle on the rear panel for additional mass storage, e.g., 5010.

3.26 The Winchester Hard Disk Drive provides the 5505 Computer with additional mass storage of 5.32MB, 8.9MB, or 13.4MB formatted capacity, depending on the model of the 5505 (see Table 1-1).

4. SPECIFICATIONS

4.01 Part 4 furnishes the user with information for shipping and installation and should be used to establish acceptance tests if they are performed. Minor deviations from the specifications tabulated in Table 4-1 which do not affect the 5505 Computer are excluded from the Dynabyte Warranty.

4.02 The functional specifications of the 5505 Computer are determined by:

(1) The Dynabyte Disk Operating System and the particular application program running, i.e., the software.

(2) The specific Dynabyte S-100 cards installed in the bus, i.e., the hardware.

4.03 Table 4-1 summarizes the 5505 Computer Functional Specifications with the following hardware:

(1) Central Processing Unit

(2) 64K Random Access Memory.

For other hardware configurations the user should refer to the individual Dynabyte S-100 Card Technical Manual Specifications.

Table 4-1 — 5505 Computer Functional Specifications

PARAMETER	CHARACTERISTICS
Front Panel Section	
Power Switch	Alternate action. Lit in POWER ON condition.
Reset Switch	Momentary action. Lit when the CPU is in the HALT condition.
Card Cage Section	
System	Dynabyte S-100 Bus
Capacity	12 positions
EMI	Fully shielded backplane
Processor Section	
Type	Z-80A
Clock Rate	4 MHz
Instruction Set	158
Interval Timer	
Number Time Unit Range Interrupt	10 64 microseconds per count 1 to 255 units (64 microseconds - 16.32 ms) Interrupts on 0 count under program control
Real-Time Clock	
Frequency Indication	Ac line synchronous Sets status bit or causes interrupt
Interrupts	
Number Priority, Highest	16 Timer 6 Timer 7 Port Interrupt Timer 8 Serial 2 Receive Data Available Serial 2 Transmit Data Available Timer 9 Timer 10 or Parallel Port Input Bit 7 Timer 1 Timer 2 Real-Time Clock Timer 3 Serial 1 Receive Data Available Serial 1 Transmit Buffer Empty Timer 4

PARAMETER	CHARACTERISTICS	
Priority, Lowest	Timer 5	
Levels of Interrupt Masking	2	
Level 1	Masks all interrupts	
Level 2	Individual masking of interrupts	
Off Card Interrupts	One maskable One unmaskable	
Input/Output Section		
Serial Ports	2	
Rates	110, 150, 300, 880, 1200, 2400, 4800, 9600, 19,200, 38,400, 76,800 baud	
Rate Selection	Software control	
Connector	DB-25-S	
Data In	EIA RS-232C	
Data Out	EIA RS-232C	
Signal Common	EIA RS-232C	
Data In	20 ma current loop	
Data Out	20 ma current loop	
Parallel Port	1	
Input	8 bits	
Input Ready Flag	Edge triggered	
Input Sense	1 bit	
Output	8 bits	
Output Strobe	1 bit	
Output Flags	2	
Connector	DB-25-S	
Memory Section		
Random Access		
Address	16 bits	
Size	65,536 bytes (64K)	
Type	Dynamic	
Cycle Time	400 ns	
Optional	Bank switching	
Size	400K bytes maximum	
Floppy Diskette Drive		
	<u>MODEL 5505-A1</u>	<u>MODELS 5505-B1, -C1</u>
Surfaces	1	2
Tracks Per Surface	77	80

PARAMETER	CHARACTERISTICS	
Media	5.25 diskette Soft sectored Single sided	5.25 diskette Soft sectored Double sided
Unformatted Capacity		
Track	6250 bytes	6250 bytes
Surface	480K bytes	500K bytes
Total Capacity	480K bytes	1000K bytes
Formatted Capacity		
Sectors Per Track	32	32
Sector Size	128 bytes	128 bytes
Surface	315K bytes	328K bytes
Total Capacity	315K bytes	655K bytes
Transfer Rate	250K bytes/sec	250K bytes/sec
Average Latency	100 msec	100 msec
Head Load	0 msec	0 msec
Access Time		
Track to Track	3 msec	3 msec
Settling	15 msec	15 msec
Average Access	85 msec	85 msec
Track Density	100 tpi	100 tpi
Spindle Speed	300 rpm	300 rpm
Variation	+ 3%	+ 3%
Recording Density	5248 bpi	5248 bpi
Flux Density	5248 frpi	5248 frpi
Encoding Method	MFM	MFM
Reliability Estimate		
MTBF	8500 hours	8500 hours
PM	None	None
MTTR	30 minutes	30 minutes
Error Rate		
Soft Read Errors	<1 x 10 ⁹ bits	<1 x 10 ⁹ bits
Hard Read Errors	<1 x 10 ¹² bits	<1 x 10 ¹² bits
Seek Error	<1 x 10 ⁶ seeks	<1 x 10 ⁶ seeks

PARAMETER	CHARACTERISTICS		
	<u>MODEL</u>		
	5505-A1	5505-B1	5505-C1
Media Life	Greater than 3×10^6		
Passes per track	Greater than 30,000		
Insertions			
Winchester Disk Drive			
Surfaces	4	4	6
Tracks per Surface	153	256	256
Unformatted Capacity			
Track	10.4K bytes	10.4K bytes	10.4K bytes
Surface	1.6MB	2.67MB	2.67MB
Total	6.4MB	10.67MB	16MB
Formatted Capacity			
Sectors per Track	17	17	17
Sector Size	512 bytes	512 bytes	512 bytes
Track Capacity	8704 bytes	8704 bytes	8704 bytes
Surface Capacity	1.33MB	2.23MB	2.23MB
Total Capacity	5.32MB	8.9MB	13.4MB
Transfer Rate	5 mbits/sec	5 mbits/sec	5 mbits/sec
Average Latency	8.3 msec	8.3 msec	8.3 msec
Access Time			
Track to Track Settling	3 msec 15 msec	¹ 20 msec 0	¹ 20 msec 0
Average Access	153 msec	105 msec	105 msec
Track Density	254 tpi	345 tpi	345 tpi
Spindle Speed	3600 rpm	3600 rpm	3600 rpm
Recording Density	7690 bpi	8650 bpi	8650 bpi
Flux Density	7690 frpi	8650 frpi	8650 frpi
Encoding Method	MFM	MFM	MFM
Reliability Estimate			
MIBF	8000 POH	8000 POH	8000 POH
PM	None	None	None
MPTR	30 minutes	30 minutes	30 minutes

1

Track to Track includes settling time.

PARAMETER	CHARACTERISTICS		
Error Rate Soft Read Errors Hard Read Errors Seek Errors	<1 in 10 ¹⁰ bits <1 in 10 ¹² bits <1 in 10 ⁶ bits	<1 in 10 ¹⁰ bits <1 in 10 ¹² bits <1 in 10 ⁶ bits	<1 in 10 ¹⁰ bits <1 in 10 ¹² bits <1 in 10 ⁶ bits
Power Supply Section			
Type	Phase-controlled regulator		
Voltages	+16 Vdc at 6 A +8 Vdc at 20 A +12 Vdc at 1.0 A, 1.3 A peak +5 Vdc at 0.5 A		
Adjustment	1		
Rear Panel Section			
DB-25-S Connector Positions	16		
Diskette Storage Connector	50 conductor ribbon		
Convenience Receptacle	Two-wire and grounded NEMA 200 VA maximum		
Cooling	70 CFM, one 4-5/8 inch axial fan		
Operating temperature	16 to 44 degrees Centigrade		
Relative humidity	20% to 80%		
Line Voltage			
Standard	115 +10% Vac, 60 Hz		
Optional	230 +10% Vac, 50 Hz		
Power	313 $\bar{V}A$		
Dimension			
Width	52.1 cm (20.5 inches)		
Depth	47.0 cm (18.5 inches)		
Height	17.8 cm (7.0 inches)		
Weight	25.0 kg (55 lbs.)		

5. OPERATION AND INSTALLATION

Unpacking

5.01 After the 5505 Computer arrives, the shipping cartons should be examined for visible loss or damage.

IMPORTANT

Each unit's shipping carton should be retained for the warranty period and used for the return of equipment to Dynabyte if it is necessary.

5.02 Check each unit for concealed loss, damage or omissions in shipment.

IMPORTANT

Remove only the three center screws from each side of the cover.

Step	Procedure
1	If additional I/O Ports were ordered, install them as instructed in the manual supplied with the option.
2	Check the interior for loss or damage during shipment: <ul style="list-style-type: none"> (1) Loose screws, nuts or washers (2) Broken wires or loose components (3) Major assemblies broken at mountings

IMPORTANT

The equipment is thoroughly tested, inspected and carefully packed before leaving the Dynabyte factory. Claims for loss or damage should be made upon the carrier — NOT TO DYNABYTE — as follows:

(1) Visible Loss or Damage — must be noted on the freight bill or express delivery sheet. The form required to file such a claim will be supplied by the carrier.

(2) Concealed Loss or Damage — means loss or damage which does not become apparent until the equipment has been unpacked and placed in service. When the damage is

discovered upon unpacking, make a written request for an inspection by the carrier's agent within fifteen days of the delivery date. Then file a claim with the carrier.

Obvious workmanship problems or incomplete shipments should be reported immediately to Dynabyte.

Ac Line

5.03 The 5505 Computer is wired and shipped from the factory for operation from a 115 V, 60 Hz ac line or 220 V, 50 Hz ac line. The ac line receptacle, J6, is provided with a third wire bonded to the chassis.

IMPORTANT

Safe operation of Dynabyte equipment depends upon the user providing a two-wire, grounded, 115 Vac, 15 Amp service wall receptacle.

Select a wall receptacle which is not switched except for a circuit breaker. Ideally no other equipment should be connected to the branch circuit.

NOTE

The 5505 Computer chassis is wired at the factory for either 115 Vac, 60 Hz or 230 Vac, 50 Hz operation. Conversion in the field for operation on the alternate voltage is not possible.

Options

5.04 The user should refer to the Dynabyte S-100 Card Technical Manual for detailed information for options to individual S-100 cards and system components. Figures 5-2 through 5-4 will furnish the 5505 user with option settings necessary for a 5505 system to run diagnostic programs.

Set Up and Turn On

5.05 The following procedure will serve as a useful check list for setting up or resetting up the 5505 Computer. For illustration purposes, the system components are:

- (1) Serial 1 Port is connected to the Serial Printer, 300 baud, and is the listing device (LST:).
- (2) Serial 2 Port is connected to the Video Terminal, 9600 baud, and is the console device (CON:).

(3) Dynabyte Disk Operating System Diskette.

NOTE

Set all ac line power switches to OFF.

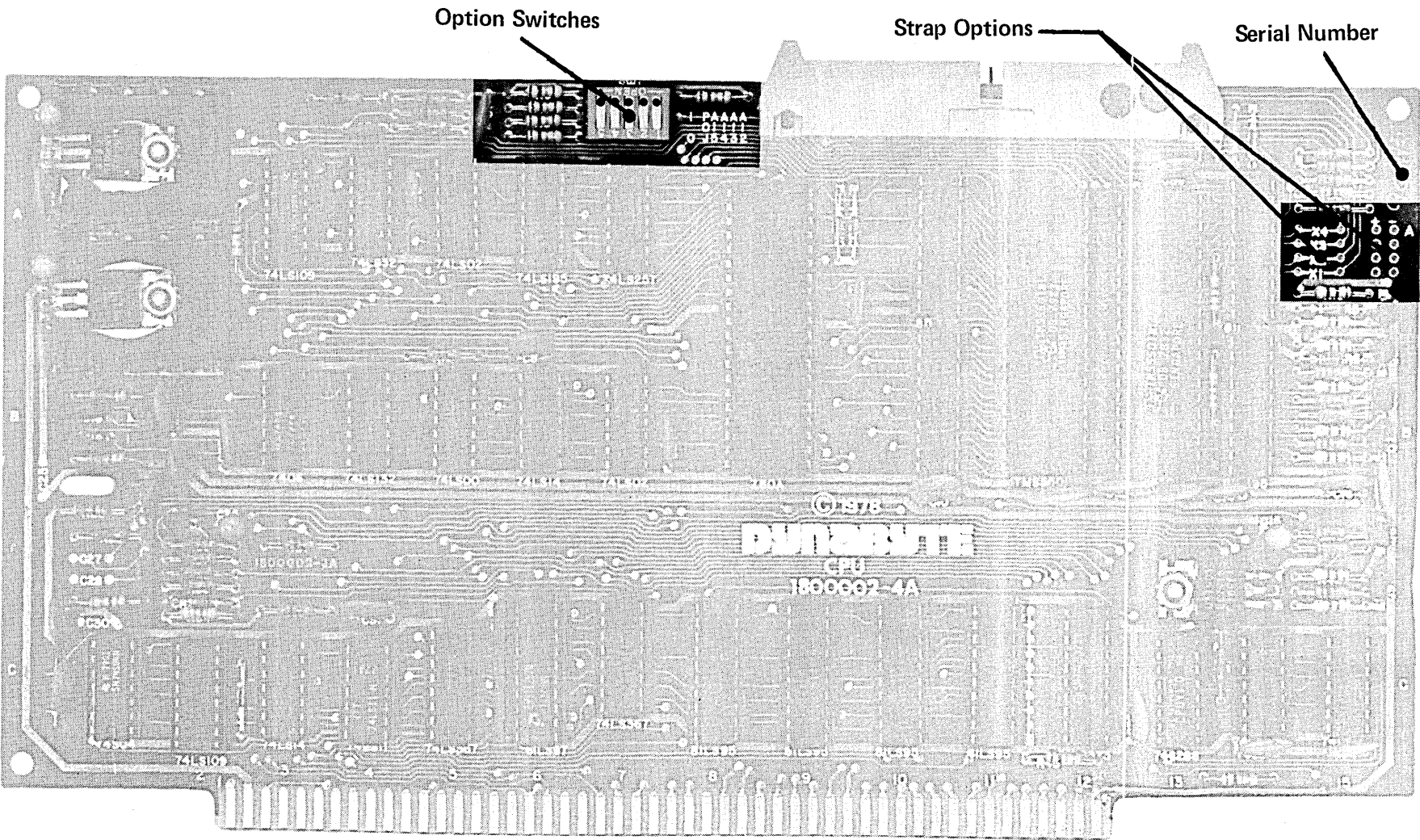
Step	Procedure
1	Install the 5505 so as not to obstruct the air flow through the louvers in the bottom of the cabinet. Make certain there is a three-inch clearance from the rear of the fan. Dynabyte desk-type cabinets are designed to assure constant air flow through the equipment cabinets.
2	<p>Check the option switch settings:</p> <ul style="list-style-type: none"> (1) Each S-100 Bus card. Refer to 5.04 above. (2) Video Terminal. Refer to the Technical Manual. (3) Serial Printer. Refer to the Technical Manual.
3	<p>Connect to computer system cables:</p> <ul style="list-style-type: none"> (1) EIA cable between Port 1 and the Serial Printer. (2) EIA cable between Port 2 and the Video Terminal.
4	<p>Connect the ac line cords:</p> <ul style="list-style-type: none"> (1) Video Terminal ac line cord to the wall receptacle. (2) Serial Printer ac line cord to the wall receptacle. (3) 5505 ac line cord to the wall receptacle.
5	Open the diskette drive door.
6	<p>Turn on the ac power switches:</p> <ul style="list-style-type: none"> (1) Video Terminal (2) Serial Printer (3) 5505 Computer
7	<p>Verify the following:</p> <ul style="list-style-type: none"> (1) Power on indicators on all units are lit.

	(2) Fan in the 5505 is running.
	(3) Disk Drive select lamp is flashing.
8	With Diskette label facing left and the slot horizontal, insert the System Diskette into the Diskette Drive. Close the door to the drive.
9	The Video Terminal should present the Dynabyte sign-on message.
10	Refer to the 5505 Computer Operation Manual.

IMPORTANT

Tighten the retaining screws on the DB-25-S connectors. Do not overtighten.

Always check that the drive does not already have a diskette installed before installing a diskette into a drive.



NOTE: The dots on the switches indicate the direction in which the switch should be set for correct operation.

Figure 5-1 — Central Processing Unit, Option Switch Settings

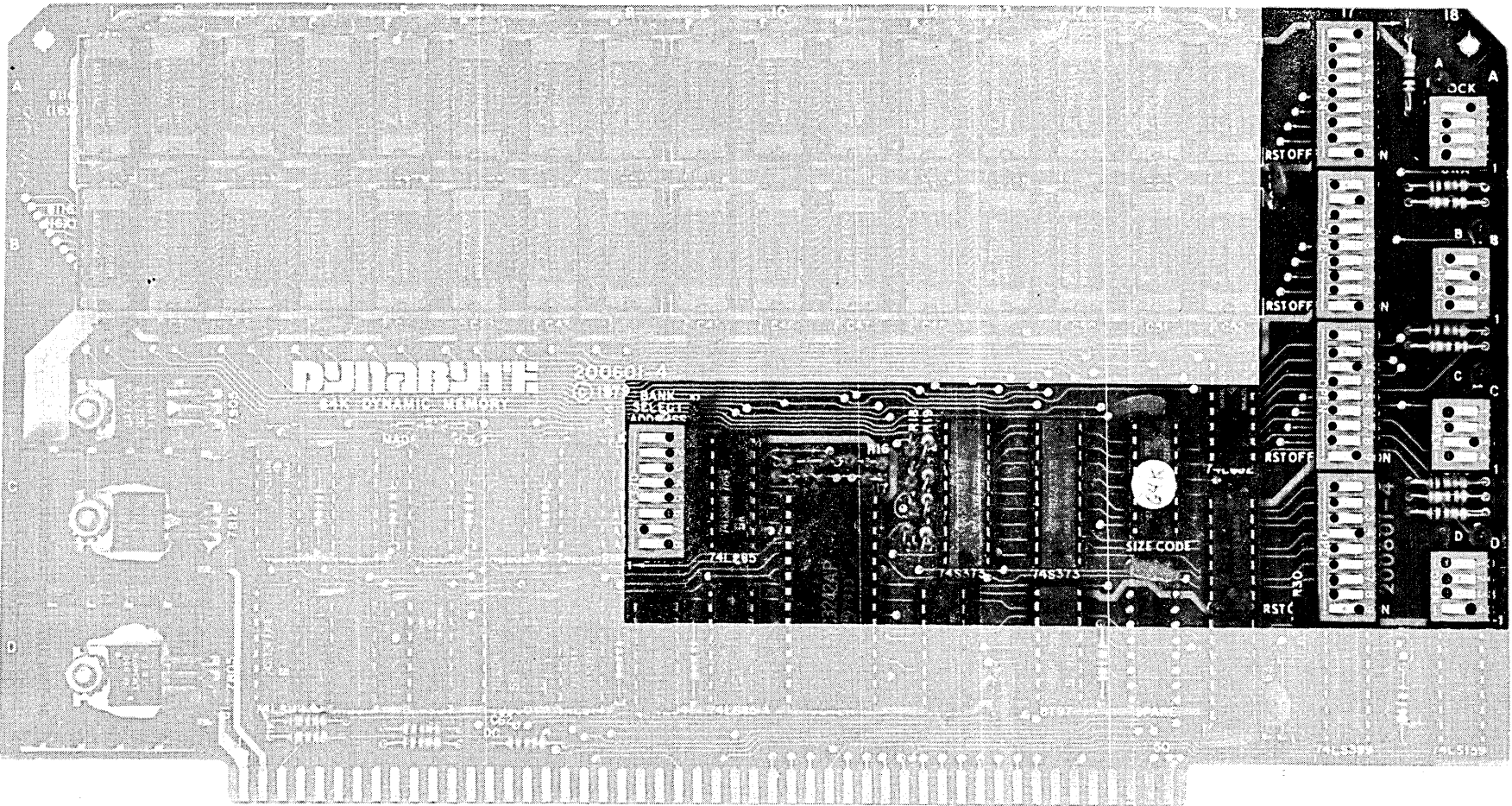


Figure 5-2 — 64K Random Access Memory, Option Switch Settings

NOTE: The dots on the switches indicate the direction in which the switch should be set for correct operation.

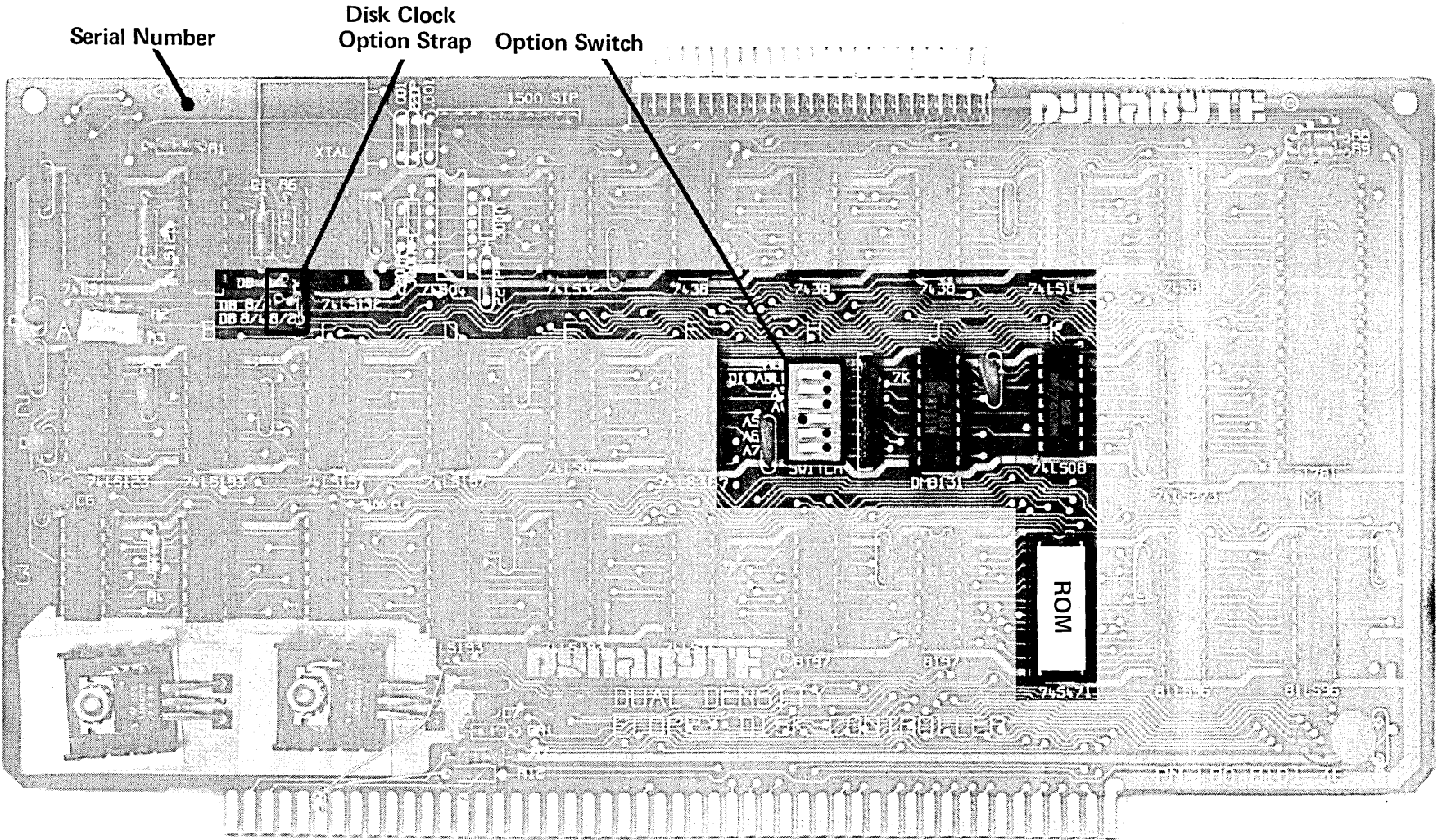


Figure 5-3 — Disk Controller, Option Switch Settings

NOTE: The dots on the switches indicate the direction in which the switch should be set for correct operation.
ROM Option Selection

Dynabyte Part No.	Mnemonic	5505 Model	5010 Model	Drive Type
808088	UR10	5505-A1	5010-01	Shugart
808089	UR11	5505-B1 or 5505-C1	5010-01	Shugart
808090	UR12	5505-A1	5010-01	Remex
808091	UR13	5505-B1 or 5505-C1	5010-01	Remex
808092	UR14	5505-A1	5010-02	Remex or Shugart
808093	UR15	5505-B1 or 5505-C1	5010-02	Remex or Shugart

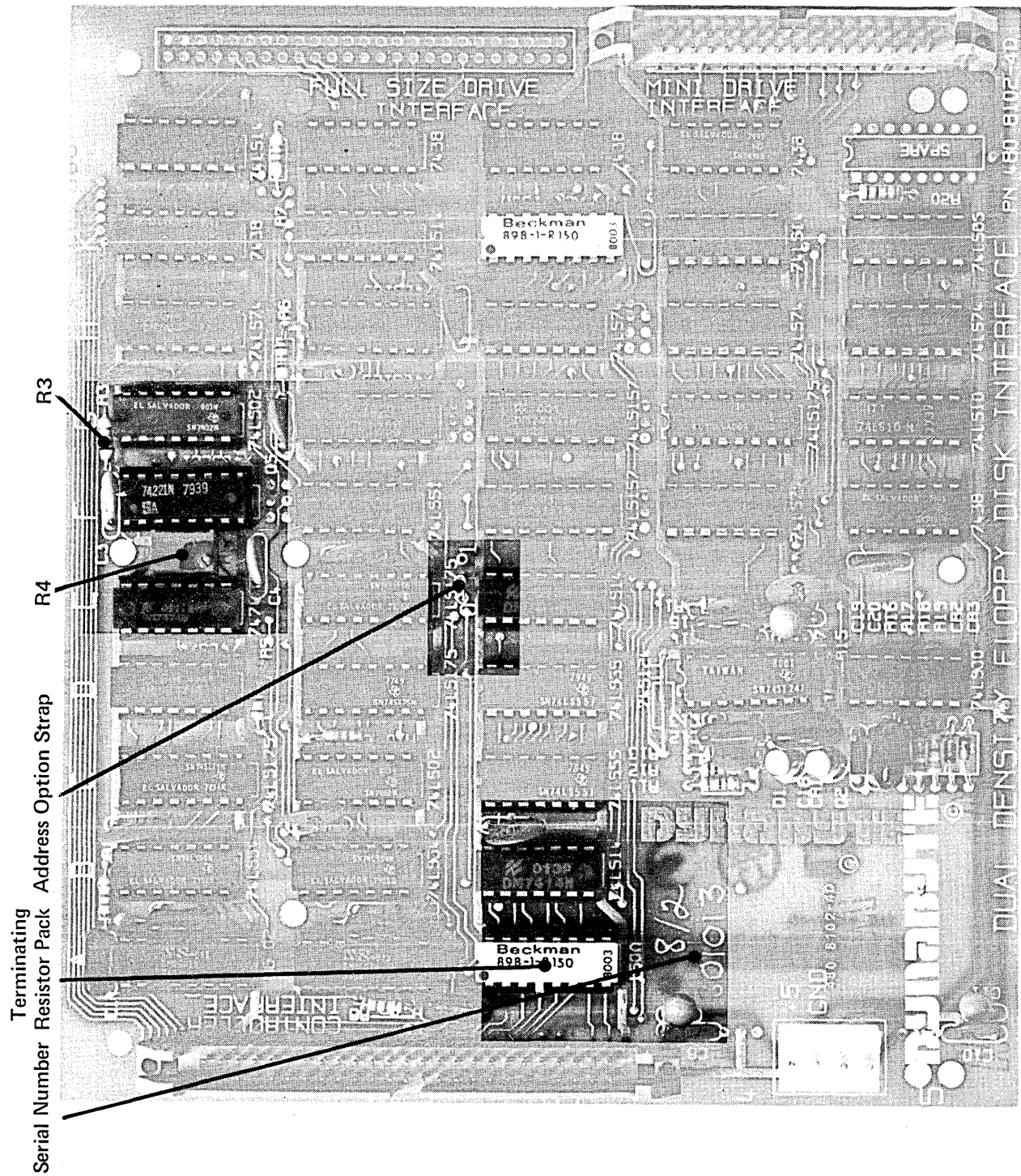


Figure 5-4 — Auxiliary Disk Controller, Option Switch Settings

6. MAINTENANCE

6.01 The 5505 Computer is the result of several years of design, development and modern electronic manufacturing. The units are designed around the latest semiconductors and integrated circuits. They operate at relatively low power levels with adequate cooling. Each 5505 Computer is operated under power and functionally tested in the Dynabyte factory for a minimum of 72 hours before shipment. The 5505 Computer can be expected to operate at peak performance for long intervals. No routine maintenance is required except occasional dusting and cleaning of the painted surfaces with a good all-purpose cleaner which does not attack or scratch painted surfaces or plastic.

Formula 409 All Purpose Cleaner
Distributed by Clorox Company
Oakland, CA 94612

available from most supermarkets is well suited for this application.

Customer Support Service

6.02 Maintenance and procedures described in this manual should be performed in accordance with local instructions and the individual user's maintenance plan. Maintenance and repair of the 5505 Computer during the warranty period should be limited to:

- (1) returning the 5505 Computer
- (2) isolation of a fault to a specific pc assembly or unit
- (3) replacement of the ac line fuse once.

Repacking and Returning Material

6.03 The Dynabyte Customer Support staff is available by telephone for assistance in troubleshooting and recommendations for repairs. If equipment is to be returned for repair or replacement, the following procedure will expedite repair and return of the equipment. All communications and material should be directed to:

Dynabyte, Inc.
Customer Support
521 Cottonwood Drive
Milpitas, CA 93035
(408) 263-1221
TELEX 346-359

Step	Procedure
1	<p>Call Dynabyte Customer Support by telephone and provide the following information:</p> <ol style="list-style-type: none"><li data-bbox="435 365 1403 436">(1) The nearest Dynabyte Authorized Service Center name and number, if known.<li data-bbox="435 466 1403 592">(2) The Dynabyte Model Number and Serial Number of the equipment. Figure 6-1 illustrates the Dynabyte Identification Plate for equipment. Normally this is located at the rear of the equipment.
2	<p>If the fault has been traced to a specific subassembly, e.g., an S-100 Bus card, furnish the type, part number and serial number. This information is marked on the component side of the pc assembly.</p> <ol style="list-style-type: none"><li data-bbox="435 785 1403 856">(1) Subassembly replaced into the failed equipment if one was available.<li data-bbox="435 886 1149 919">(2) Subassembly to be returned to Dynabyte.
3	<p>Furnish a brief statement of the problem.</p>
4	<p>Customer Support will issue a Return Material Authorization Number (RMA Number).</p> <ol style="list-style-type: none"><li data-bbox="435 1108 1403 1180">(1) The RMA permits the Dynabyte Customer Support staff to provide better coordination of returned material.<li data-bbox="435 1209 1403 1276">(2) The RMA permits the Dynabyte customer to easily reference material returned to Dynabyte.
5	<p>Package equipment in the Dynabyte packing carton in which the equipment was received. If the original packing material is not available, Dynabyte Customer Support will provide information and recommendations of material to be used.</p>
6	<p>Fill out and enclose a Dynabyte Repair Service Report with the equipment or provide the following information in writing:</p> <ol style="list-style-type: none"><li data-bbox="435 1558 1123 1591">(1) The RMA number furnished by Dynabyte.<li data-bbox="435 1621 1286 1654">(2) The nearest Dynabyte Authorized Service Center.<li data-bbox="435 1684 1403 1755">(3) Model number and serial number of equipment. Refer to Step 1 above.<li data-bbox="435 1785 1058 1818">(4) A brief statement of the problem.
7	<p>Ship the equipment to Dynabyte, shipment prepaid.</p>

NOTE

Material returned to Dynabyte without a Return Material Authorization for repair will be refused by Dynabyte and returned to the sender.

Key	Function
1	Dynabyte Model Number.
2	Dynabyte Chassis Serial Number.
3	Dynabyte date of manufacture.
4	Ac line voltage which the chassis is wired for operation.
5	Ac line frequency which the chassis will operate.
6	Power dissipation of chassis.

Figure 6-1 — Dynabyte Identification Plate

Diagnostics

6.04 A diagnostic program supplied on a diskette is available for the 5505 Computer from a Dynabyte Authorized Service Center. This program will verify that the 5505 works in general and the diskette and hard disk drives are functioning properly. The program diskette is supplied with a Dynabyte Technical Manual describing the program operation in detail.

Fault Location

6.05 A troubleshooting chart has been included in this manual to assist the user in isolating a fault location to one of three areas. Refer to Table 6-1.

(1) The fault symptom resulted from incorrect user operation of the 5505 Computer.

(2) The fault symptom resulted from some other piece of equipment, e.g., cable, diskette storage, diskette or terminal.

(3) The fault symptom resulted from a 5505 S-100 card or power supply module.

Table 6-1 does not tabulate all the possible symptoms, only those Dynabyte Customer Support has found most likely to occur. The diagnostic program, refer to 6.04 above, will also provide pointers for troubleshooting hardware malfunctions.

Power Supply Module Voltages and Adjustment

6.06 The procedure which follows will assist the user in checking and adjusting the power supply should it be necessary. The user will need a digital multimeter (DMM), e.g., Fluke 8020A or equal. Refer to Figure 6-2.

Terminal	Voltage	Tolerance
Ac Line	115 Vac	±10%
6	+16 Vdc	17 +3/-2 Vdc
7	+12 Vdc	12 +3/-2 Vdc
4	+ 8 Vdc	9 ±0.5 Vdc
5	+ 5 Vdc	5 ±0.25 Vdc
1	0 Vdc	PS Common Reference
3	-16 Vdc	-17 -3/+2 Vdc

Figure 6-2 — Power Supply Module Voltage Test Points, BS1

Step	Procedure
1	Remove the top cover. Refer to 6.08 below.
2	Remove the power supply cover. Refer to 6.09, Steps 1 through 3.
3	The power supply voltages are distributed from barrier strip, BS1.

Step	Procedure
1	Disconnect the following cables: <ul style="list-style-type: none"> (1) Port I/O Cable from the CPU. (2) Disk Interface I/O Cable from the Controller. Dress cables back over the rear panel.
2	Remove the two 6-32 Kep nuts and flat washers from the left side of the black anodized power supply cover.
3	Remove the two 4-40 Kep nuts and flat washers from the right side of the power supply cover.
4	Remove the power supply cover.
5	Disconnect the Motherboard Power Cable. <ul style="list-style-type: none"> (1) BS1 - 1 BLK (2) <li style="padding-left: 2em;">- 2 BLK (2) <li style="padding-left: 2em;">- 3 VIO/WHT (1) <li style="padding-left: 2em;">- 4 ORG/WHT (2) <li style="padding-left: 2em;">- 5 ORG (3) <li style="padding-left: 2em;">- 6 RED/WHT (1) <li style="padding-left: 2em;">- 7 RED (2) (2) BS2 - 5 YEL (1)
6	Remove the four Phillips head 10-32 screws, star washers and flat washer which secure the Power Supply Module to the cabinet base.
7	Shift the Power Supply Module slightly to gain access to the rear interior. Disconnect the ac line. This is two push-on connectors on the EMI line filter.
8	Remove the Power Supply Module from the 5505.

NOTE

Handle I/O cables with care as they can be easily damaged.

6.10 Card Cage — S-100 Bus Motherboard - is located directly behind the front panel. The Motherboard Power Cable must be disconnected first. Repeat 6.09, Steps 1 through 5. Then perform the following:

Step	Procedure
1	Remove all the S-100 cards installed in the card cage.
2	Disconnect the front panel cable connector from J14, the four-conductor pc-mounted receptacle.
3	Remove the fourteen 6-32 x 3/8 Phillips head screws and star washers which secure the S-100 Motherboard PC Assembly to the cabinet base.
4	Remove the card cage from the 5505 Computer.
5	Remove the eight 6-32 x 3/8 Phillips head screws and star washers which secure the S-100 Bus Motherboard PC Assembly to the card cage.

6.11 Front or Rear Panel - Both panels are secured to the respective cabinet bezel by five 6-32 Kep nuts. It is more convenient to remove the entire bezel. Perform the following:

Step	Procedure
1	Remove the two 3/32 hex head screws from each side.
2	Remove the five 8-32 x 3/4 Phillips head screws and star washers which secure the bezel to the cabinet base. Two of these screws also secure rubber bumpers.
3	Disconnect the electrical connections from the respective panel. <ul style="list-style-type: none"> (1) Front Panel - Disconnect the ac line cable from the rear panel and the front panel cable connector from J14, the four-conductor pc mounted receptacle. (2) Rear Panel - Disconnect the ac line cable to the front panel and the ac line cable to the power supply. This consists of two push-on connectors on the EMI line filter.
4	Remove the panel.

Table 6-1 — Troubleshooting Chart

No.	Symptom	Probable Cause	Remedy
1	POWER ON indicator does not light and fan is not running.	<ol style="list-style-type: none"> 1. Power cord is not connected to the ac line. 2. The ac line fuse is blown. 3. The power supply module is defective. 	<ol style="list-style-type: none"> 1. Connect to the ac line. 2. Replace the fuse one time only. Then check the ac chassis wiring. 3. Replace or repair. Refer to Trouble 2 below.
2	POWER ON indicator flickers.	<ol style="list-style-type: none"> 1. The power supply module is defective. 2. One of the S-100 Bus cards is defective. 	<ol style="list-style-type: none"> 1. Check all output voltages. Refer to Figure 6-2. Replace or repair. 2. Remove one card at a time from the bus. Monitor the power supply output until the trouble clears. Replace or repair the card.
3	POWER ON indicator is lit. RESET is pressed. The sign on message is not presented on the console. Drive Select indicator does not light.	<ol style="list-style-type: none"> 1. System cables or options are incorrect for the installation. 2. Power Supply module is defective. 	<ol style="list-style-type: none"> 1. Check cables and options. 2. Refer to Trouble 2 above.
4	POWER ON indicator is lit. RESET is pressed. The sign on message is not presented on the console. Drive Select indicator lights and heads load several times.	<ol style="list-style-type: none"> 1. System diskette is inserted incorrectly or is missing. 2. System diskette is defective or has incorrect operating system for the installation. 3. Chassis connectors or wiring is defective. 4. Power Supply module is defective. 	<ol style="list-style-type: none"> 1. Insert System diskette. Press RESET. 2. Insert a new System diskette. 3. Check. Refer to Part 7 for diagram. 4. Replace or repair. Refer to Trouble 2 above.

No.	Symptom	Probable Cause	Remedy
5	RESET button pressed. No sign on message is presented on the console. Drive Select indicator lights and the head loads once.	5. Controller is defective. 6. Aux Controller is defective. 7. Diskette Drive is defective. 1. Console is not configured to the system. 2. System diskette has a defective operating system. 3. CPU is defective.	5. Replace or repair. 6. Replace or repair. 7. Refer to Trouble 7 below. 1. Check console cabling to port, data communication controls, e.g., baud rate, parity, etc. 2. Insert a new system diskette. 3. Replace or repair.
6	RESET is pressed. HALT indicator remains lit.	1. CPU is defective. 2. The phantom bootstrapping option jumper is not installed in the lowest addressed RAM. This is appropriate to: 16K Dynamic 16K Static 32K Static 3. RAM is defective.	1. Replace or repair. 2. Install jumper. Refer to the Technical Manual. 3. Replace or repair.
7	Diskette drive is defective. The spindle is turning.	1. Internal drive troubles.	1. Refer to the Technical Manual for the drive.
8	Diskette drive is defective. The spindle is not turning. The drive motor is running.	1. Drive belt motor is off or broken. 2. Drive motor belt pulley is loose.	1. Reinstall or replace the belt. 2. Tighten.
9	Diskette drive is defective. Drive motor is not running.	1. No power to the drive motor. Power Supply module is defective. 2. Drive motor is defective.	1. Refer to Trouble 2 above. 2. Replace or repair.

7. REFERENCES

S-100 Bus

7.01 Shortly after the introduction of the 8080, 8080A and Z-80 Microprocessor integrated circuits, several high-technology companies developed the S-100 Bus structure for use in personal and business computer systems. The S-100 Bus has been adapted by over 50 other manufacturers who also offer products that connect to the bus. Table 7-1 tabulates the Dynabyte S-100 Bus pins by assignment and function in the 5505 Computer.

Schematics and Replaceable Parts

7.02 Figure 7-1 furnishes the chassis wiring for the 5505 chassis. Table 7-2 tabulates replaceable parts for the 5505 Computer chassis covering:

- (1) Front panel assembly
- (2) Rear panel assembly
- (3) Frame assembly.

Schematics and replaceable parts lists for all other assemblies, modules and pc assemblies or S-100 cards are covered in the individual Dynabyte Technical Manual.

OEM Equipment

7.03 Physical and functional descriptions, maintenance information and replaceable parts list for the OEM equipment part of the 5505 Computer are provided under separate cover or may be ordered from:

<u>MODEL</u>	<u>DISKETTE</u>	<u>WINCHESTER</u>
5505 - A1	Tandon TM100 - 3M	Tandon TM602
5505 - B1	Tandon TM100 - 4M	CMI 5410
5505 - C1	Tandon TM100 - 4M	CMI 5616

Tandon Corporation
20320 Prairie Street
Chatsworth, CA 91311
(213) 993-6644

Computer Memories, Inc.
9233 Eton Avenue
Chatsworth, CA 91311
(213) 709-6445

Table 7-1 — Dynabyte S-100 Bus Pin Assignments

Pin No.	Signal-Type	Active Level	Description
1	+8 Volts (B)		Instantaneous minimum greater than 7 Volts, instantaneous maximum less than 25 Volts, average maximum less than 11 Volts.
2	+16 Volts (B)		Instantaneous minimum greater than 14.5 Volts, instantaneous maximum less than 35 Volts, average maximum less than 21.5 Volts.
3	XRDY (S)	H	One of two ready inputs to the current bus master. The bus is ready when both these ready inputs are true. See pin 72.
4	VI0* (S)	LOC	Vectored interrupt line 0.
5	VI1* (S)	LOC	Vectored interrupt line 1.
6	VI2* (S)	LOC	Vectored interrupt line 2.
7	VI3* (S)	LOC	Vectored interrupt line 3.
8	VI4* (S)	LOC	Vectored interrupt line 4.
9	VI5* (S)	LOC	Vectored interrupt line 5.
10	VI6* (S)	LOC	Vectored interrupt line 6.
11	VI7* (S)	LOC	Vectored interrupt line 7.
12	NMI* (S)	LOC	Nonmaskable interrupt.
13	Dynabyte Reserved		
14	Dynabyte Reserved		
15	Dynabyte Reserved		
16	Dynabyte Reserved		
17	Dynabyte Reserved		
18	SDSB* (M)	LOC	The control signal to disable the 8 status signals.
19	CDSB* (M)	LOC	The control signal to disable the 5 control output signals.

Table 7-1 — Dynabyte S-100 Bus Pin Assignments (Continued)

Pin No.	Signal-Type	Active Level	Description
20	Dynabyte Reserved		
21	Dynabyte Reserved		
22	ADSB* (M)	LOC	The control signal to disable the 16 address signals.
23	DODSB* (M)	LOC	The control signal to disable the 16 address signals.
24	4 MHz Phase 2 (B)		The master timing signal for the bus
25	Dynabyte Reserved		
26	pHLDA (M)	H	A control signal used in conjunction with HOLD* to coordinate bus master transfer operations.
27	Dynabyte Reserved		
28	Dynabyte Reserved		
29	A5 (M)	H	Address bit 5.
30	A4 (M)	H	Address bit 4.
31	A3 (M)	H	Address bit 3.
32	A15 (M)	H	Address bit 15 (most significant).
33	A12 (M)	H	Address bit 12.
34	A9 (M)	H	Address bit 9.
35	DO1 (M)	H	Data out bit 1.
36	DO0 (M)	H	Data out bit 0.
37	A10 (M)	H	Address bit 10.
38	DO4 (M)	H	Data out bit 4.
39	DO5 (M)	H	Data out bit 5.
40	DO6 (M)	H	Data out bit 6.
41	DI2 (S)	H	Data in bit 2.

Table 7-1 — Dynabyte S-100 Bus Pin Assignments (Continued)

Pin No.	Signal-Type	Active Level	Description
42	DI3 (S)	H	Data in bit 3.
43	DI7 (S)	H	Data in bit 7.
44	sM1 (M)	H	The status signal which indicates that the current cycle is an op-code fetch.
45	sOUT (M)	H	The status signal identifying the data transfer bus cycle to an output device.
46	sINP (M)	H	The status signal identifying the data transfer bus cycle from an input device.
47	sMEMR (M)	H	The status signal identifying bus cycles which transfer data from memory to a bus master, which are not interrupt acknowledge instruction fetch cycle(s).
48	sHLTA (M)	H	The status signal which acknowledges that a HLT instruction has been executed.
49	CLOCK (B)		2 MHz (0.5%) 40-60% duty cycle. Not required to be synchronous with any other bus signal.
50	GND (B)		Common with pin 100.
51	+8 Volts (B)		Common with pin 1.
52	-16 Volts (B)		Instantaneous maximum less than -114.5 Volts, instantaneous minimum greater than -35 Volts, average minimum greater than -21.5 Volts.
53	Dynabyte Reserved		
54	Dynabyte Reserved		
55	Dynabyte Reserved		
56	Dynabyte Reserved		
57	Dynabyte Reserved		

Table 7-1 — Dynabyte S-100 Bus Pin Assignments (Continued)

Pin No.	Signal-Type	Active Level	Description
58	Dynabyte Reserved		
59	Dynabyte Reserved		
60	Dynabyte Reserved		
61	Dynabyte Reserved		
62	Dynabyte Reserved		
63	Dynabyte Reserved		
64	Dynabyte Reserved		
65	smREQ* (M)	L	The status signal identifying bus cycles which reference memory read, write or refresh.
66	sRFSH* (M)	L	The status signal identifying the current address on A0 - A6 is a dynamic memory refresh address.
67	PHANTOM*	LOC	A bus signal which disables memory during disk controller ROM access.
68	MWRT (B)	H	A bus memory write signal. pWR_{OUT}^* (logic equation). This signal must follow pWR^* by not more than 30 ns.
69	Dynabyte Reserved		
70	Dynabyte Reserved		
71	Dynabyte Reserved		
72	RDY (S)	HOC	See comments for pin 3.
73	INT* (S)	LOC	The primary interrupt request bus signal.
74	HOLD* (M)	LOC	The control signal used in conjunction with $pHLDA$ to coordinate bus master transfer operations.
75	RESET* (B)	LOC	Requests the reset of all bus master devices. Connects to the Front Panel Reset Switch and activates POC^* .

Table 7-1 — Dynabyte S-100 Bus Pin Assignments (Continued)

Pin No.	Signal-Type	Active Level	Description
76	pSYNC (M)	H	The control signal identifying the beginning of a processor cycle.
77	pWR* (M)	L	The control signal signifying the presence of valid data on DO bus.
78	pDBIN (M)	H	The control signal that requests data on the DI bus.
79	A0 (M)	H	Address bit 0 (least significant).
80	A1 (M)	H	Address bit 1.
81	A2 (M)	H	Address bit 2.
82	A6 (M)	H	Address bit 6.
83	A7 (M)	H	Address bit 7.
84	A8 (M)	H	Address bit 8.
85	A13 (M)	H	Address bit 13.
86	A14 (M)	H	Address bit 14.
87	A11 (M)	H	Address bit 11.
88	DO2 (M)	H	Data out bit 2.
89	DO3 (M)	H	Data out bit 3.
90	DO7 (M)	H	Data out bit 7.
91	DI4 (S)	H	Data in bit 4.
92	DI5 (S)	H	Data in bit 5.
93	DI6 (S)	H	Data in bit 6.
94	DI1 (S)	H	Data in bit 1.
95	DI0 (S)	H	Data in bit 0 (least significant for 8-bit data).
96	sINTA (M)	H	The status signal identifying the bus input cycle(s) that may follow an accepted interrupt request presented on INT*.

Table 7-1 -- Dynabyte S-100 Bus Pin Assignments (Continued)

Pin No.	Signal-Type	Active Level	Description
97	sWO* (M)	L	The status signal identifying a bus cycle which transfers data from a bus master to a slave.
98	Dynabyte Reserved		
99	POC* (B)	L	The Master Reset signal. The Power-On-Clear signal for all devices. When this signal goes low, it must stay low for at least 10 ms.
100	GND (B)		System ground and common to Pin 50.

NOTES:

- (1.) Signal Type (B) Bus
 (M) Bus Master
 (S) Bus Slave
 * Logical NOT
- (2.) Active Level H High
 L Low
 OC Open Collector

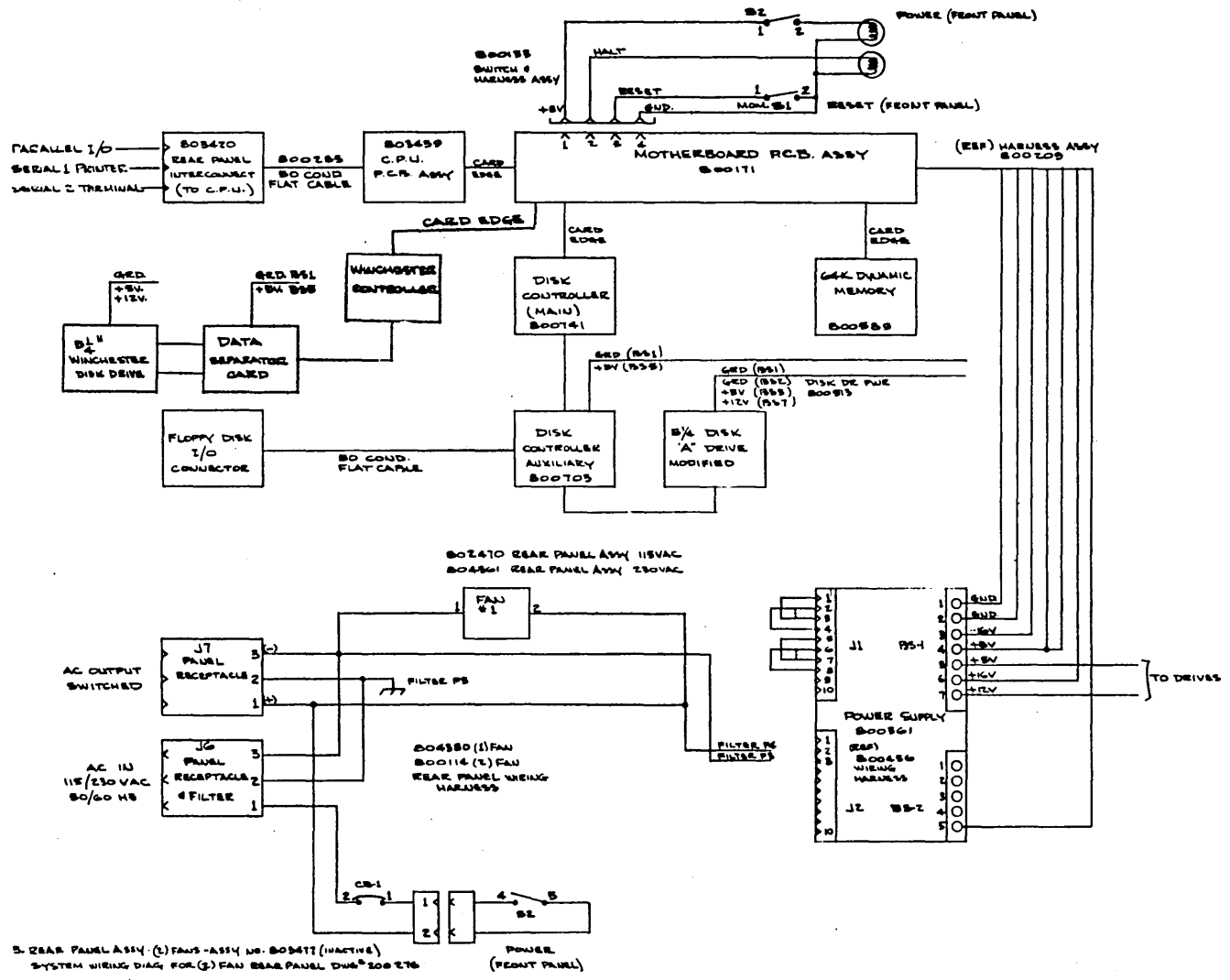
Figure 7-1 — 5505 Computer Chassis Wiring Diagram

C.P.U. PINOUTS		
PARALLEL CONNECTOR		
CARD J1 PIN NO.	SIGNAL NAME	DIN/OUT PIN NO.
32	PARALLEL IN 0	1
41	IN 1	2
43	IN 2	3
40	IN 3	4
42	IN 4	5
39	IN 5	6
44	IN 6	7
38	PARALLEL IN 7	8
8	GROUND	9
34	PARALLEL IN READY (IN)	10
22	SENSE	11
6	FLAG 1	12
40	INTERLUPT	13
36	PARALLEL OUT 0	14
37	OUT 1	15
28	OUT 2	16
38	OUT 3	17
27	OUT 4	18
34	OUT 5	19
34	OUT 6	20
25	PARALLEL OUT 7	21
10	GROUND	22
23	PARALLEL OUT 8BY (IN)	23
14	PARALLEL OUT 8BY (OUT)	24
4	FLAG 2	25
12	GROUND	---
30	GROUND	---
31	GROUND	---

SERIAL 2 TERMINAL		
PIN	SIGNAL	NO.
15	EIA IN	2
18	EIA OUT	3
7	RTS 2 OUT	4
24	CTS 2 (IN EIA)	5
19	DSE 2 (IN)	6
47	GROUND	7
45	+20 MA OUT	11
21	-20 MA OUT	18
8	DTR 2 (OUT)	24
25	+20 MA IN	21
13	-20 MA IN	25

SERIAL 1 PRINTER		
PIN	SIGNAL	NO.
2	EIA IN	2
17	EIA OUT	3
3	RTS 1 (OUT)	4
25	CTS 1 (IN EIA)	5
18	DSE 1 (IN)	6
48	GROUND	7
46	+20 MA OUT	11
23	-20 MA OUT	18
1	DTR (OUT)	24
8	+20 MA IN	21
11	-20 MA IN	25

* CPU JUMPER TO ±RS 232



3. REAR PANEL ASSY (2) FANS-ASSY NO. 800411 (INACTIVE)
 SYSTEM WIRING DIAG FOR (2) FAN REAR PANEL DUG 200 276
2. PWR SUPPLY JUMPER WIRING:
 J1 CONNECTOR
 -115 VAC 80/60 HZ 1 TO 5, 2 TO 4, 5 TO 7, 6 TO 8 (SOLID LINES)
 -230 VAC 80/60 HZ 2 TO 3, 6 TO 7 (DOTTED LINES)
1. WIRING INSTRUCTIONS FOR WIRING G.M.E. XPR'S
 SEE SC.N-182.

Table 7-2 — 5505 Computer Replaceable Parts List

Reference	Description	Manufacturer	Manufacturers Part Number	Dynabyte Part Number
	COVER: TOP	DYNABYTE	700144	700144
	PANEL: BOTTOM	DYNABYTE	700036	700036
	DRIVE MOUNTING PLATE	DYNABYTE	720637	720637
	BEZEL: CABINET	DYNABYTE	700054	700054
	FOOT: RUBBER	DYNABYTE	700216	700216
	ASM: 5505 FRONT PANEL	DYNABYTE	807129	807129
	HARNESS: FRONT PANEL	DYNABYTE	800133	800133
	SWITCH: ALTERNATE ACTION	CK	5101/W/BEZEL	711206
	SWITCH: ALTERNATE ACTION	CK	5108/W/BEZEL	702700
	LAMP: 10V	PRECISION	PL389	702717
	ASM: REAR PANEL	DYNABYTE	802470	802470
	FUSEHOLDER: 3AG	LITTLEFUSE	348-8-7-1	700594
	FUSE: 3AG 6A	LITTLEFUSE	312003	700198
	FUSE: 3AG 6A	LITTLEFUSE	312006	700180
	FAN: 115 VAC	IMC	WS2107F-2	700504
	FAN: 230 VAC	ROTRON	WRA31	714866
	GUARD: FAN	IMC	005-009	700522
	HARNESS: REAR PANEL REV B	DYNABYTE	804380	804380
	CONNECTOR: IEC M 250V 6A	BELDEN	17252	702880
	CONNECTOR: NEMA F 115V 15A	HUBBELL	5256	702862
	FASTENER: DB25 CONNECTOR	AMPHENOL	17893	700630
	MODULE: 5505 POWER SUPPLY	DYNABYTE	807392	807392
	MODULE: DISKETTE DRIVE A			
	HARNESS: DISK DRIVE POWER	DYNABYTE	807354	807354
	DISKETTE: 5.25" SOFT SECTOR SINGLE-SIDED	DYSAN	800380	800380
	DISKETTE: 5.25" SOFT SECTOR DOUBLE-SIDED			
	ASM: CARD CAGE 12 SLOT	DYNABYTE	800038	800038
	ASM: S-100 CARD RETAINER	DYNABYTE	800152	800152
	PCA: MOTHERBOARD	DYNABYTE	800171	800171
	HARNESS: MOTHERBOARD	DYNABYTE	800209	800209
	5505 CABLE ASSEMBLIES			
	CABLE: CPU I/O	DYNABYTE	800285	800285
	CABLE: QUADRAPORT I/O	DYNABYTE	803705	803705
	CABLE: OCTAPORT I/P	DYNABYTE	803515	803515
	CABLE: WINI CONT/SEP CARD 50 CON	DYNABYTE	807335	807335
	CABLE: WINI DRIVE/SEP CARD 20 CON	DYNABYTE	807316	807316

Table 7-2 -- 5505 Computer Replaceable Parts List (Continued)

Reference	Description	Manufacturer	Manufacturers Part Number	Dynabyte Part Number
	CABLE: WINI DRIVE/SEP CARD 34 CON	DYNABYTE	807167	807167
	CABLE: FLOPPY MAIN/AUX/ REAR PANEL, 50 CON	DYNABYTE	807658	807658
	CABLE: FLOPPY DRIVE/AUX CARD 34 CON	DYNABYTE	807639	807639
	HARNES: POWER SUPPLY TO AUX/WINI DRIVE	DYNABYTE	807354	807354
	CORD: 115 VAC POWER	BELDEN	17250	700414
	CORD: 230 VAC POWER	STORM	G2123-02M-GY	708100
	5505 S-100 CARDS			
	PCA: CPU	DYNABYTE	803439	803439
	PCA: DYNAMIC RAM 64K	DYNABYTE	800589	800589
	PCA: PCB, DATA SEP CARD	DYNABYTE	807243	807243
	PCA: PCB, FLOPPY CONT AUX CARD, 5505	DYNABYTE	807506	807506
	PCA: FLOPPY CONT MAIN/PCA W/O ROM	DYNABYTE	807525	807525
	PCA: FLOPPY CONT MAIN/PCA W/ SS ROM, RB10	DYNABYTE	807544	807544
	PCA: FLOPPY CONT MAIN/PCA W/ DS ROM, RB11	DYNABYTE	807601	807601
	PCA: WINCHESTER CONT 5.25"	DYNABYTE	807677	807677
	PCA: INTERCONNECT	DYNABYTE	803420	803420
	PCA: OCTAPORT	DYNABYTE	801995	801995
	PCA: OCTAPORT WITH TIMERS	DYNABYTE	801957	801957
	PCA: QUADRAPORT	DYNABYTE	802014	802014
	PCA: QUADRAPORT WITH TIMERS	DYNABYTE	801976	801976
	5505 DISK DRIVES			
	DRIVE: 5.25" WINI, 5MB	TANDON	TM602	720547
	DRIVE: 5.25" WINI, 10MB	CMI	CM5410	720565
	DRIVE: 5.25" WINI, 16MB	CMI	CM5615	719611
	DRIVE: 5.25" FLOPPY, DS	TANDON	TM-100-4M	720583
	DRIVE: 5.25" FLOPPY, SS	TANDON	TM-100-3M	720601
	5505 ROMS			
	PROM, RB10, MODEL 5505-A	DYNABYTE	807563	807563
	PROM, RB11, MODEL 5505-B, -C	DYNABYTE	807582	807582
	PROM, RB12-RB15 (SEE FIG. 5-3)			

NOTES

