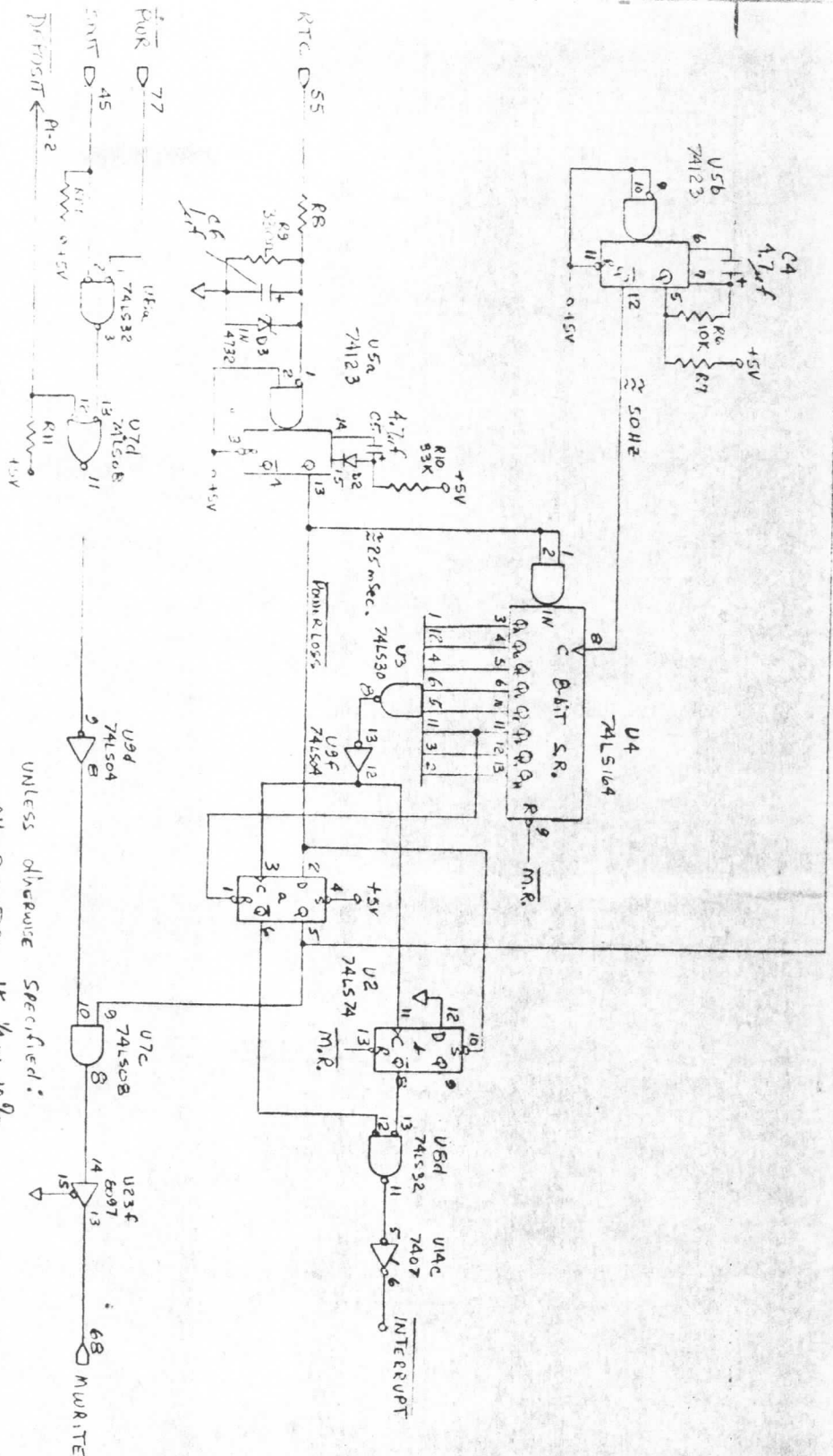
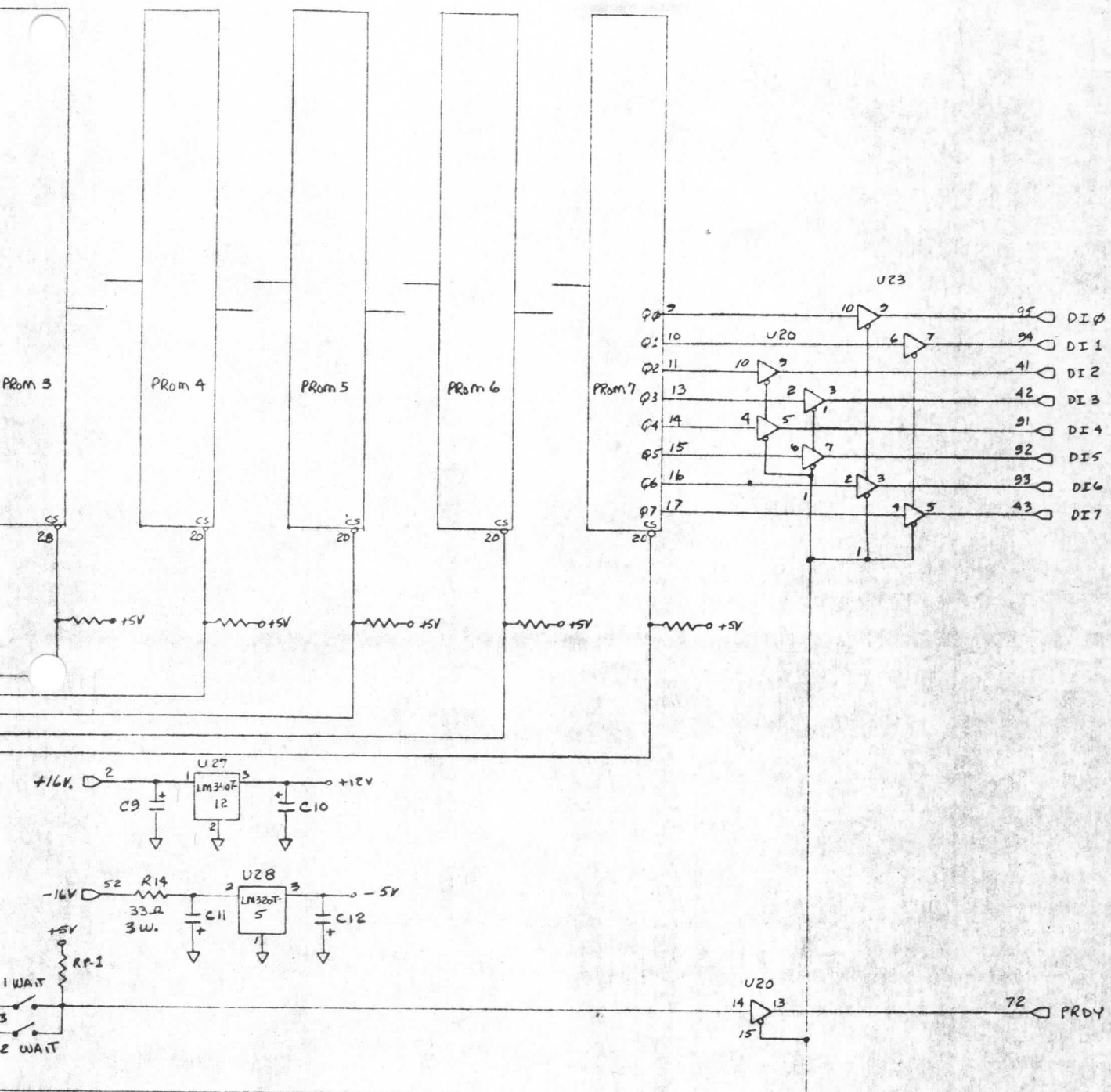


REVISIONS		
NO	DATE	BY
1		
2		
3		
4		
5		

POWER-FAIL / AUTO RESTART		
DRAWN BY <i>K.S. Fischer</i>	SCALE	MATERIAL
CHK'D	DATE 11-4-76	DRAWING NO.
TRACED	APP'D	C 61101-00



UNLESS OTHERWISE SPECIFIED:
 ALL RESISTORS 1K, 1/4w 10%
 ALL DIODES IN 4148
 ALL CAPACITORS IN μF.



All RESISTORS 1K, 1/4 w., 10% CARBON
 All UNMARKED GATES 8097
 All UNMARKED CAPACITORS 10 μ f @ 25VDC TANTALUM
 All PROMS 2704 \approx 2708

REVISIONS			RETRO-TEK, INC.	
NO.	DATE	BY		
1			2704/2708 PROM	
2				
3			DRAWN BY K.S. FISHER	SCALE NONE
4			CWK D	DATE 12-13-76
5			TRACED	APP'D
			MATERIAL	DRAWING NO C 61101-10

