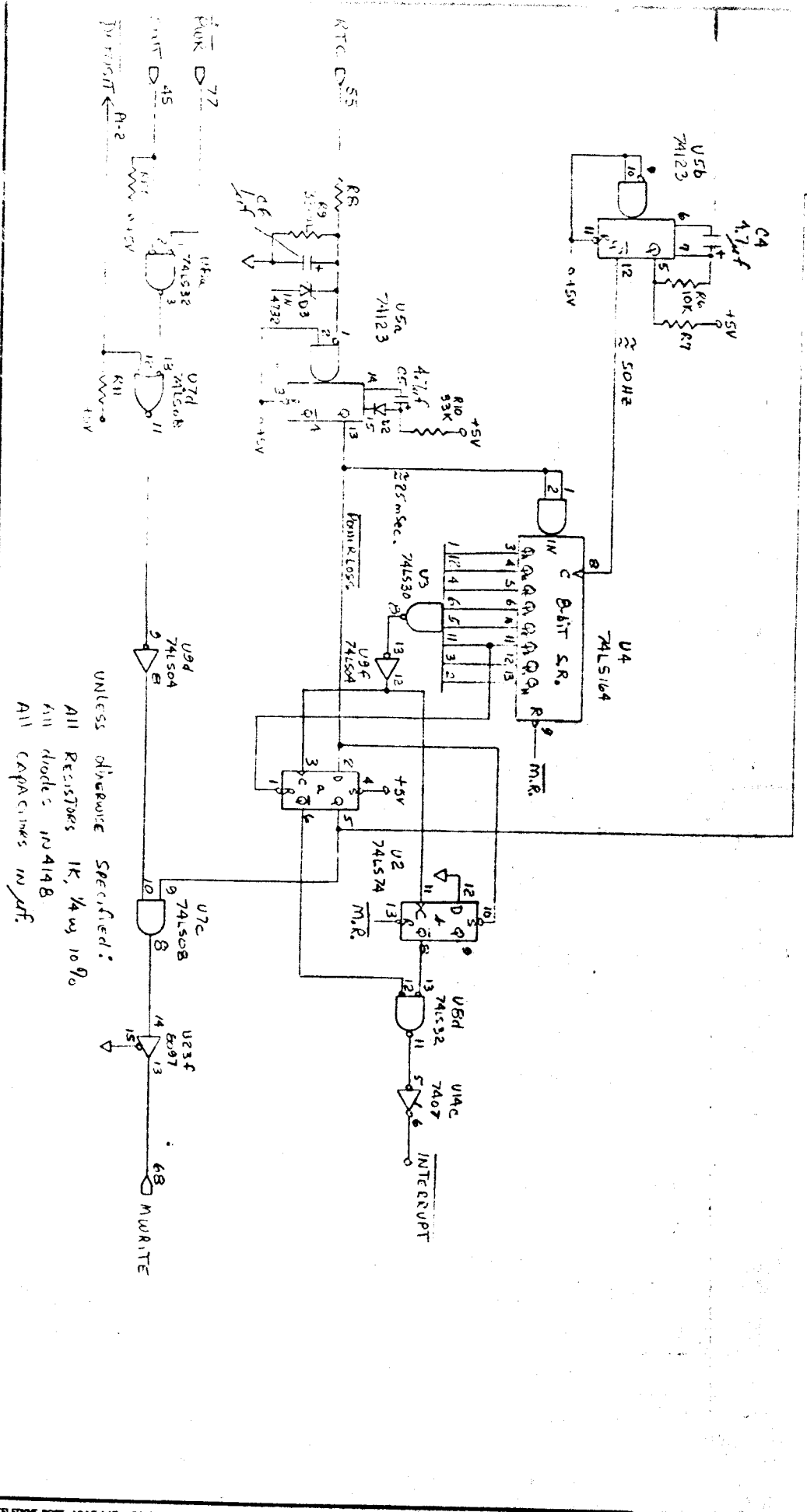
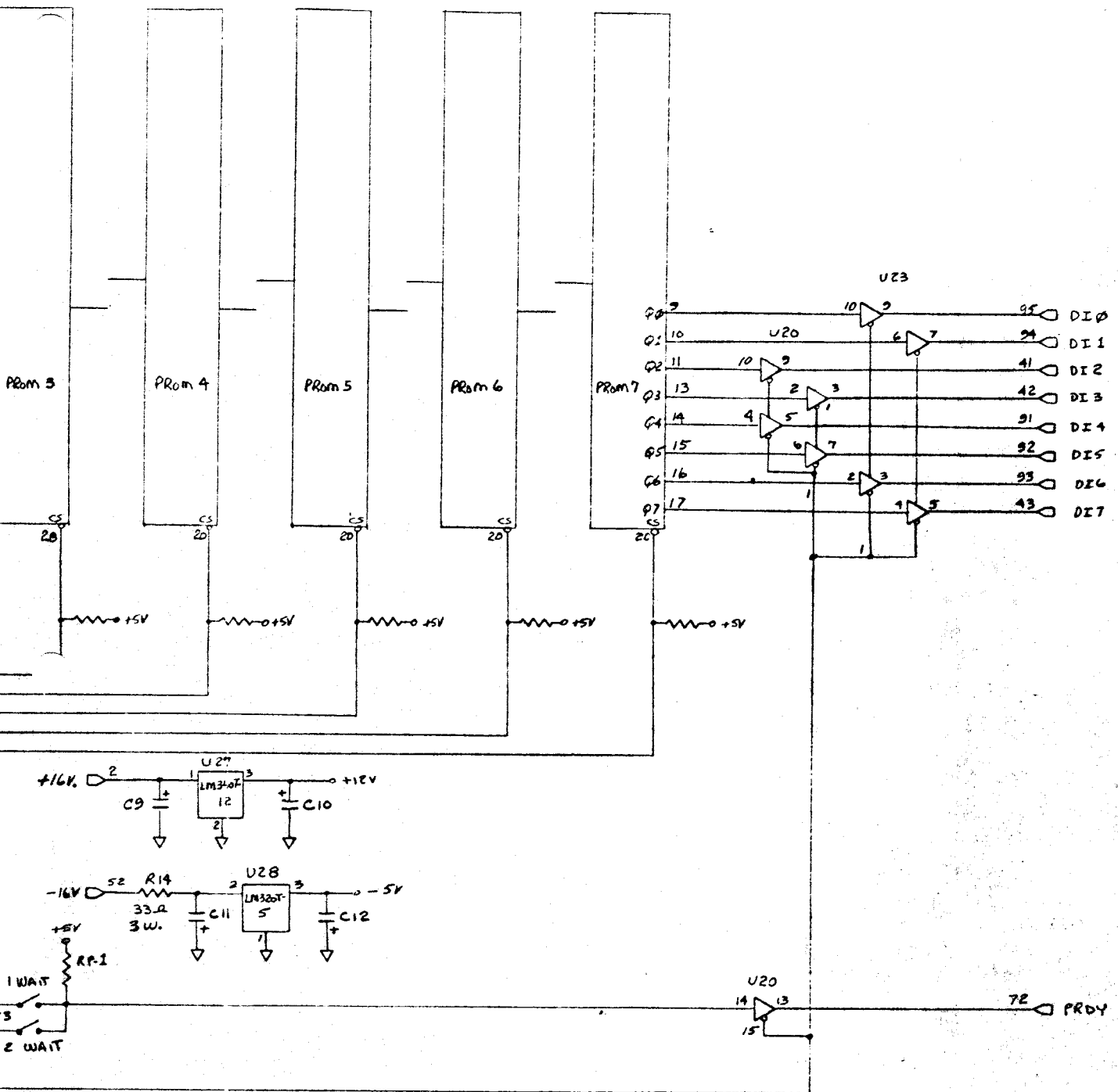


REVISIONS			POWER-FAIL / AUTO RESTART		
NO	DATE	BY	SCALE	MATERIAL	
1					
2					
3					
4			DATE 11-4-76	DRAWING NO	
5			TRACED	APP'D	
				C 61101-00	



UNLESS OTHERWISE SPECIFIED:
 ALL RESISTORS 1K, 1/4w, 10%
 ALL DIODES IN 4148
 ALL CAPACITORS IN .01μf



All RESISTORS 1 K, 1/4 w., 10% carbon
 All UNMARKED GATES 2097
 All UNMARKED CAPACITORS 10 μ F @ 25VDC TANTALUM
 All PROMS 2704 or 2708

REVISIONS			RETRO-TEK, INC.		
NO.	DATE	BY			
1			2704/2708 PROM		
2					
3			DRAWN BY	SCALE	MATERIAL
4			K.S. FISHER	NONE	
5			CHK'D	DATE	DRAWING NO.
				12-13-76	
6			TRACED	APP'D	C 61101-10

