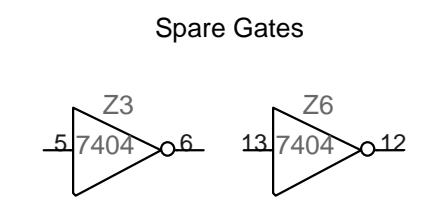
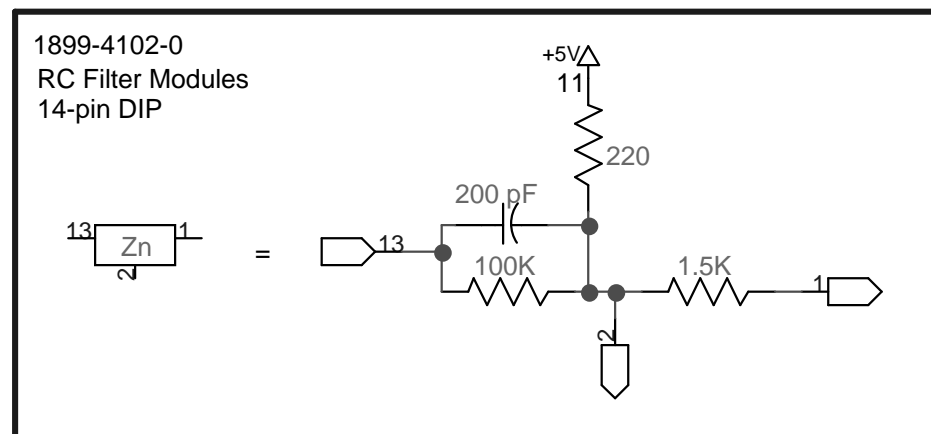


- Sensors**
- Black TSW-1
 - white TSW-2
 - Black/W GND
 - Black/W GND
 - Gray D7
 - Violet D6
 - Blue D5
 - Green D4
 - Yellow D3
 - Orange D2
 - Red D1
 - Brown D0

- Interface**
- D6 1 A
 - D7 2 B
 - D4 3 C
 - D3 4 D
 - DPOL 5 E
 - D5 6 F
 - D0 7 G
 - D2 8 H
 - D1 9 I
 - TSWa10 J

Pin	Sig	Wire
B	MOTA+	Red
C	MOTB+	Brown
D	MOTB-	Orange
E	24VDC	Black
F	LAMP	Green
5	GND	Violet
6	MOTA-	Yellow



Product:	Remex 20801B2 Paper Tape Reader
Description:	Driver Board
Date:	19SEP2014
Part No.:	110721-1
Sheet:	Drawn by: M.Eberhard