

REVISIONS					
REV	DESCRIPTION	DATE	DR	CHK	APPR
A	ERN 200 PB PRE-PROD RELEASE	7/6/68	SOB	SOB	SOB
B	ECN 30367A	10/14/68	SOB	SOB	SOB
B1	ECN 30367	10/14/68	SOB	SOB	SOB
C	ERN 200-GP PROD RELEASE	10/14/68	SOB	SOB	SOB
D	ECN 30462A	10/14/68	SOB	SOB	SOB
E	ECN 30467	10/14/68	SOB	SOB	SOB
F	ECN 30477	10/14/68	SOB	SOB	SOB
F	ECN 30505	10/14/68	SOB	SOB	SOB

TABLE I (1)

PART NUMBER	REFERENCE DESIGNATION
100-1015	R66, 84, 90, 111
100-1025	R1, 16, 65, 50, 65, 85, 110, 70, 79
100-1035	R29, 33, 93, 74, 75, 127
100-1045	R59, 60
100-1055	R25
100-1215	R21
100-1515	R8, 10, 12, 14, 23, 102, 112, 38, 115, 106
100-1235	R94
100-1825	R17, 100
100-2215	R26, 30, 78, 80, 83, 89
100-2225	R92, 56, 57, 125, 132, 133
100-2235	R71, 72, 73
100-2715	R19
100-2725	R86, 4, 122
100-2735	R61
100-1835	R101
100-4705	R20, 77
100-4715	R7, 64, 82, 88, 81, 87
100-4725	R91
100-4735	R27, 31
100-4805	R9, 11, 13, 15, 39, 103, 107, 113, 116
100-4815	R58, 55
100-4825	R126, 129, 69, 49
100-4835	R96
100-4815	R18, FR12B
100-4825	R28, 32
100-2745	R19
100-1815	R120
101-1015	R68
101-1215	R5, 6, 67
101-1825	R53, 54
101-2225	R22
101-1525	R128
101-2725	R119
104-1331	R109
104-1821	R47
104-2152	R3
104-2372	R108
104-2812	R99
109-0209	R118
109-0208	R104, 105, 114, 117
120-0001	U18
121-1040	R98
121-1040	R97
121-0200	R76
121-0200	R2
130-1025	C26, 45
130-4705	C29
130-4715	C18
130-5115	C30
130-3315	C24

TABLE II (2)

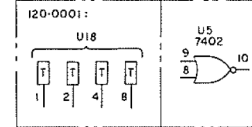
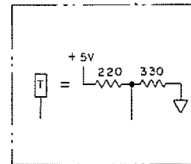
ASSEMBLY	VERSION NO.	VERSION CHARACTERISTIC	C15, C16, R62, R63, U18, R131	U1	U2	U3	U4	U5	U6	
										USAGE (3)
SINGLE DENSITY	INTERNAL TRIM ERASE	-01	SINGLE DENSITY, INTERNAL ERASE, -5V, POWER SAVE FEATURE OUT	USE	USE	OMIT	USE	OMIT	OMIT	
		-02	SINGLE DENSITY, INTERNAL ERASE, -5V, POWER SAVE FEATURE IN	USE	USE	OMIT	USE	OMIT	USE	
		-03	SINGLE DENSITY, INTERNAL ERASE, -12/-15V, POWER SAVE FEATURE OUT	USE	OMIT	USE	OMIT	OMIT	OMIT	
		-04	SINGLE DENSITY, INTERNAL ERASE, -12/-15V, POWER SAVE FEATURE IN	USE	OMIT	USE	OMIT	USE	USE	
	EXTERNAL TRIM ERASE OPTION	-05	SINGLE DENSITY, EXTERNAL ERASE, -5V, POWER SAVE FEATURE OUT	OMIT	USE	OMIT	OMIT	USE	OMIT	OMIT
		-06	SINGLE DENSITY, EXTERNAL ERASE, -5V, POWER SAVE FEATURE IN	OMIT	USE	OMIT	OMIT	USE	USE	USE
		-07	SINGLE DENSITY, EXTERNAL ERASE, -12/-15V, POWER SAVE FEATURE OUT	OMIT	OMIT	USE	OMIT	USE	OMIT	OMIT
		-08	SINGLE DENSITY, EXTERNAL ERASE, -12/-15V, POWER SAVE FEATURE IN	OMIT	OMIT	USE	OMIT	USE	USE	USE

PART NUMBER	REFERENCE DESIGNATION
131-1050	C11, 12, 14, 40
131-1520	C 4 8
135-5061	C38, 39, 44
139-1080	C2, 35
139-1065	C1, 47, 36, 25, 28
139-2244	C1, 7, 8, 9, 20, 22, 27, 34, 41, 42, 31, 32
139-2282	C4
139-2710	C33
139-4751	C5, 46
139-4755	C21, 23, 19, 40
139-4762	C6, 37
200-1100	Q3, 4, 25, 26, 27
200-1120	Q1, 2, 24
200-4123	Q5, 6, 7, 28, 29, 31, 21, 22
200-4125	Q14, 16, 17, 18, 19, 20, 30
200-5321	Q9
204-079	Q23
330-0515	VR3
330-0435	VR6
330-0685	VR4
331-0335	VR2, 5
331-1605	VR1
400-0555	U13, 12
400-0592	U1, 2
400-0741	U21, 26, 27
515-1015	L1, 3, 5, 6
515-2405	L2, 4
700-4221	U17
700-7545	U25, 19, 7
700-7400	U11
700-7402	U5, 8, 22, 23
700-7404	U13, 29
700-7406	U9, 24
700-7407	U6
700-7414	U20
700-7416	U30
700-7450	U28
700-7476	U4, 14, 16
700-8000	U3

TABLE III (3)

PART NUMBER	REFERENCE DESIGNATION
104-2871	R62
100-1525	R63
139-1020	C15, 16
700-4221	U10
121-1030	R131

TABLE IV SPARES:



REFERENCE DESIGNATIONS

LAST USED	NOT USED	DELETED
C48	C13	C10, 37
CR25	CR6	CR9
F1		
L6		
Q31	Q8	Q10, 11, 12, 13, 15
R33	R34 THRU 37, 52, 53, 55	R40, 41, 43, 44, 45, 48, 51, 42
TP15		
U30		
VR6		
W5	W7, 8	

- (1) VERSIONS OF THIS ASSEMBLY FOR INTERNAL/EXTERNAL TRIM ERASE MAY BE CREATED BY INSTALLING C15, C16, R62, R63, R131, U18 AND SELECTING W3 OR W4 AS APPLICABLE.
11. SIGNALS ARE CROSS-REF BETWEEN SHEETS AND WITHIN A SHEET BY NUMBERS APPEARING UNDER THE ASSOCIATED LOGIC TERM ANEMONIC. THE FIRST NO. IS THE SHEET NO. AND THE SECOND NO. IS THE ZONE NO.
12. DIODES ARE 1N4446.
13. PNP TRANSISTORS ARE 2N4125.
14. NPN TRANSISTORS ARE 2N4123.
15. CAPACITOR VALUES ARE IN MICROFARADS, 20%, 20V.
16. RESISTOR VALUES ARE IN OHMS, 5%, 1/4W.
17. FOR SPARE LOGIC ELEMENTS, SEE TABLE V.
18. PIN 7 OF ALL I.C. IS 15 DV, 7476 PIN 13 IS DV, 74221 PIN 8 IS DV  
PIN 14 OF ALL I.C. IS 15 +5V, PIN 5 IS +5V, PIN 16 IS +5V
- (3) FOR PART NUMBER SEE TABLE III.
- (2) FOR VALUE, PART NUMBER AND USAGE OF COMPONENTS AFFECTED BY VERSION NUMBER, SEE TABLE II.
- (1) FOR PART NUMBER OF COMPONENTS NOT AFFECTED BY VERSION NUMBER, SEE TABLE I.
- NOTES: UNLESS OTHERWISE SPECIFIED

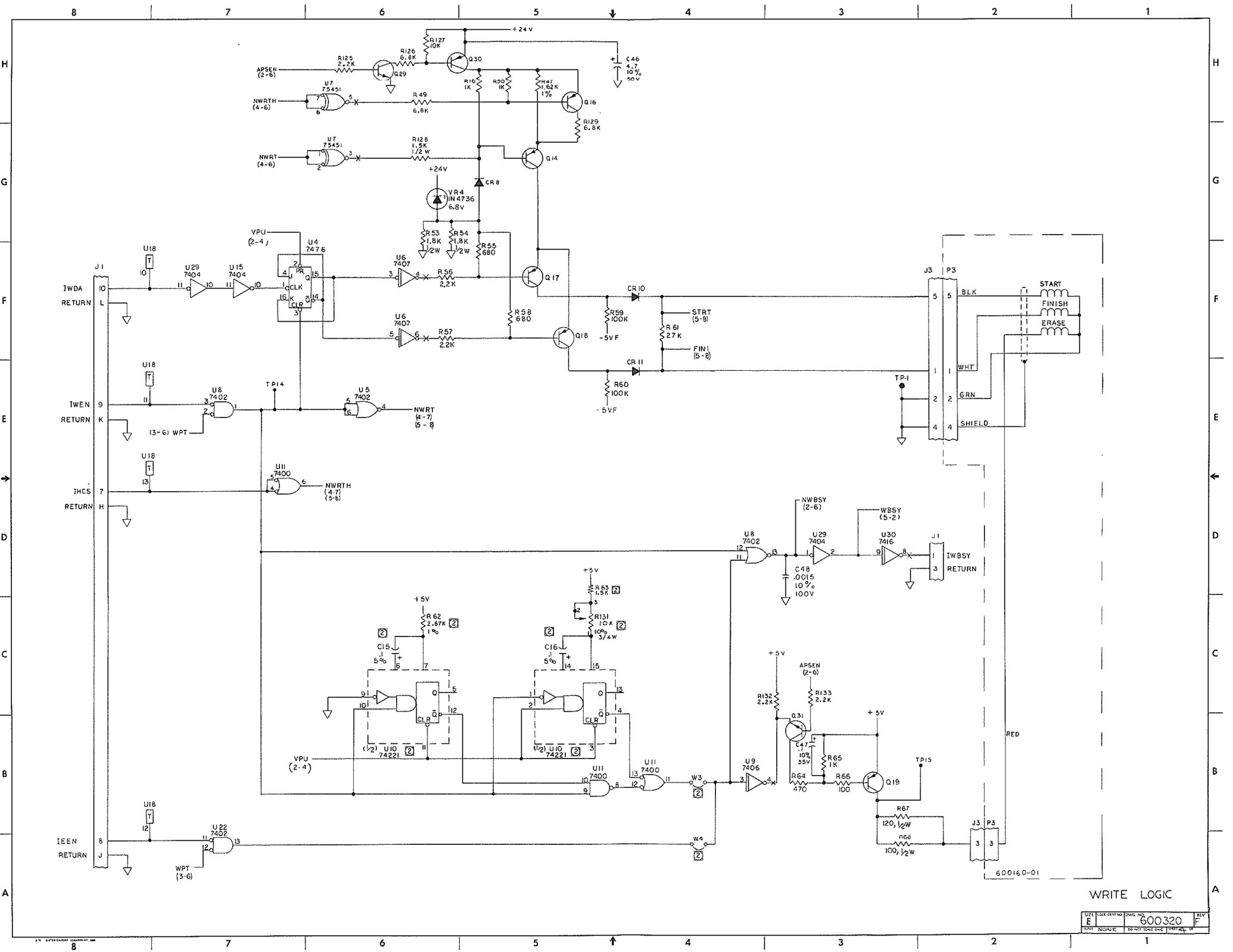
REFERENCE DRAWINGS:  
ASSEMBLY NO. 60021

PERTEC CONTROL SYSTEMS, INC. 1000 W. 10TH AVENUE DENVER, COLORADO 80202 TEL: 303-733-1000 FAX: 303-733-1001	SIGNATURES DR: [Signature] CK: [Signature] DATE: [Date]	DATE: [Date]	<b>PERTEC</b> PERIPHERAL EQUIPMENT TITLE: SCHEMATIC, FD, BASIC II, DC SHEET NO. 600320 OF 600320
---	--	--------------	---

600320

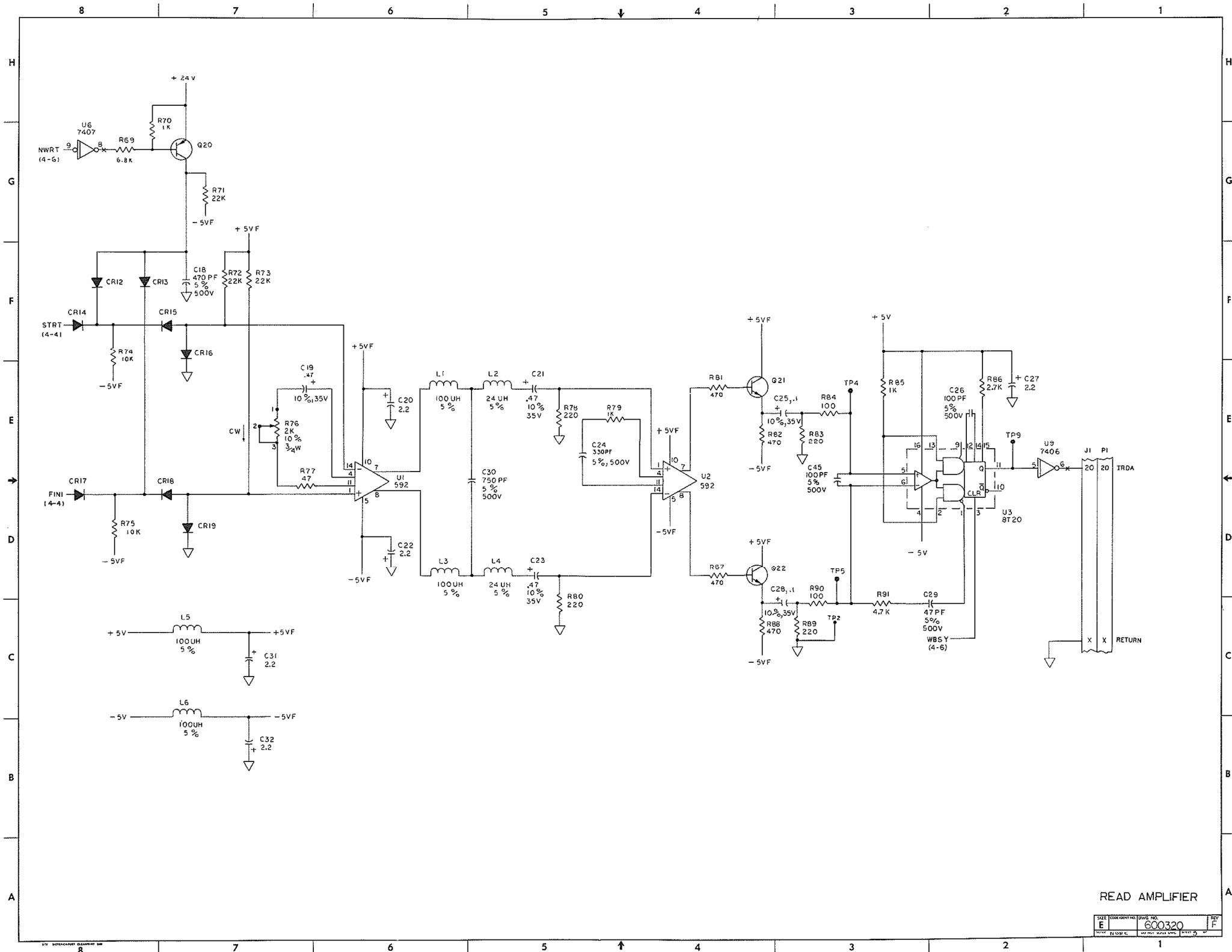






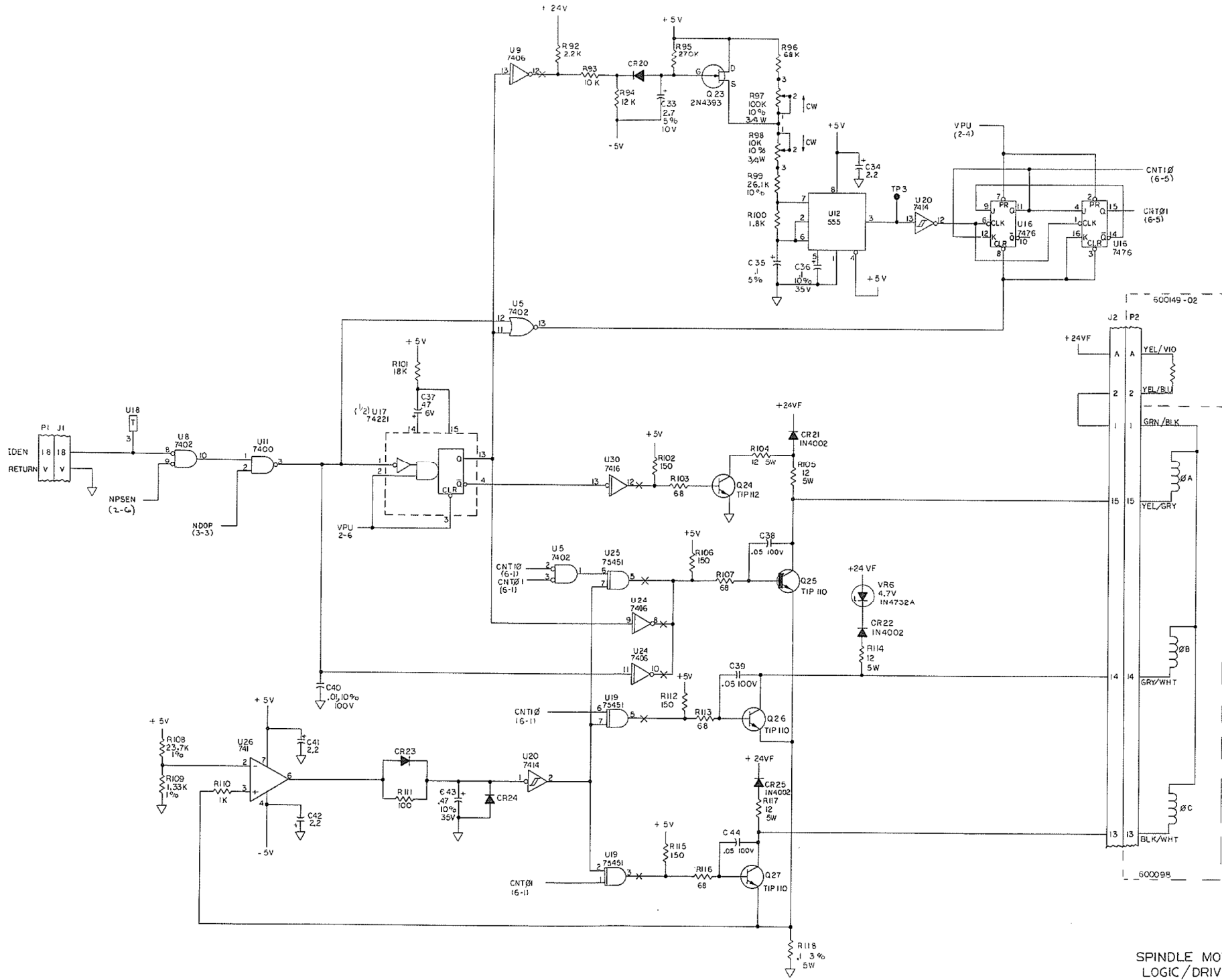
WRITE LOGIC

REV	600320	DATE	10/1/74	BY	...
1					



READ AMPLIFIER

SIZE	CON IDENT	DRWG NO	REV
E		600320	F
DATE	BY	CHKD	APP'D



SPINDLE MOTOR LOGIC/DRIVE

REV	DESCRIPTION	DATE	BY
1	500149-02	1974	...