

TABLE I ①

PART NUMBER	REFERENCE DESIGNATION
100-1015	R66, 84, 90
100-1025	R1, 16, 34, 46, 50, 65, 85, 70
100-1035	R29, 33, 127 74, 75
100-1045	R59, 69
100-1055	R25
100-1215	R21
100-1515	R4, 10, 12, 14, 23, 34 38
100-1815	R120, 35
100-1825	R12
100-2215	R26, 30, 78, 80, 83, 89
100-2225	R56, 57, 125, 132, 133
100-2235	R71, 72, 73
100-2715	R19
100-2725	R86, 4, 122
100-2735	R61
100-4705	R20, 77
100-4715	R7, 64, 82, 88, 81, 87
100-4725	R91
100-4735	R22, 31
100-4805	R9, 11, 13, 15, 37, 39
100-4815	R58, 55
100-5605	R126, 129, 89, 119
100-8215	R18, 123
100-8225	R28, 32
101-1015	R68
101-1215	R5, 6, 67
101-1825	R53, 54
101-2225	R22
101-1535	R128
101-2725	R119
10B-1015	R24, 121
330-0515	VR3
330-0685	VR4
331-0235	VR2, 5
331-1605	VR1
400-0555	U18
400-0595	U1, 2
400-2741	U21, 27
515-1015	L1, 3, 5, 6
515-2405	L2, 4
700-4021	U17
700-7545	U25, 7
700-7420	U11
700-7422	U5, 8, 22, 23
700-7404	U15, 29
700-7406	U9, 24
700-7407	U6
700-7414	U20
700-7416	U30
700-7450	U28
700-4745	U136
100-2225	R137
130-5615	C48
204-3993	Q32
121-2020	R76
121-2030	R2
130-1015	C26, 33
130-4705	C27
130-4715	C18
130-7515	C30
130-3315	C24

PART NUMBER	REFERENCE DESIGNATION
131-1030	C11, 12, 13, 14
131-1520	C49
139-1020	C2
139-1055	C3, 25, 28, 47
139-2244	C1, 7, 8, 9, 20, 22, 27 31, 32
139-2262	C4
139-4751	C5, 34
139-4755	C21, 23, 19
139-4762	C6
300-1100	Q3, 4
200-1120	Q1, 2
200-4123	Q5, 6, 7, 28, 29, 31, 21, 22
200-4125	Q14, 16, 17, 18, 19, 20, 30
200-9321	Q8, 9
300-4002	CR1, 2, 3, 4, 7
300-4446	CR4, 5, 6, 10, 11, 12, 13, 14, 15, 16, 17, 18, 19
400-0555	U18
400-0595	U1, 2
400-2741	U21, 27
515-1015	L1, 3, 5, 6
515-2405	L2, 4
700-4021	U17
700-7545	U25, 7
700-7420	U11
700-7422	U5, 8, 22, 23
700-7404	U15, 29
700-7406	U9, 24
700-7407	U6
700-7414	U20
700-7416	U30
700-7450	U28
700-4745	U136
100-2225	R137
130-5615	C48
204-3993	Q32

ASSEMBLY VERSION NO.	VERSION CHARACTERISTIC	C15 C16, R62, R63, U10, R131		W1	W2	W3	W4	W5	W6	W8	W9	R134, R135, R136, R137, R138, R139	R79	
		USAGE ③	100-0005	100-0005	100-0005	100-0005	100-0005	100-0005	100-0005	100-0005	100-0005	100-0005	VALUE	PART NO.
SINGLE DENSITY INTERNAL TRIM ERASE	-01	SINGLE DENSITY, INTERNAL ERASE, -5V, POWER SAVE FEATURE OUT	USE	USE	OMIT	USE	OMIT	OMIT	OMIT	USE	USE	OMIT	1K	100-1025
	-02	SINGLE DENSITY, INTERNAL ERASE, -5V, POWER SAVE FEATURE IN	USE	USE	OMIT	USE	OMIT	USE	USE	USE	USE	OMIT	1K	100-1025
	-03	SINGLE DENSITY, INTERNAL ERASE, -12/-15V, POWER SAVE FEATURE OUT	USE	OMIT	USE	USE	OMIT	OMIT	OMIT	USE	USE	OMIT	1K	100-1025
	-04	SINGLE DENSITY, INTERNAL ERASE, -12/-15V, POWER SAVE FEATURE IN	USE	OMIT	USE	USE	OMIT	OMIT	OMIT	USE	USE	OMIT	1K	100-1025
	-05	SINGLE DENSITY, EXTERNAL ERASE, -5V, POWER SAVE FEATURE OUT	OMIT	USE	OMIT	OMIT	USE	OMIT	OMIT	USE	USE	OMIT	1K	100-1025
	-06	SINGLE DENSITY, EXTERNAL ERASE, -5V, POWER SAVE FEATURE IN	OMIT	USE	OMIT	OMIT	USE	USE	USE	USE	USE	OMIT	1K	100-1025
SINGLE DENSITY EXTERNAL TRIM ERASE OPTION	-07	SINGLE DENSITY, EXTERNAL ERASE, -12/-15V, POWER SAVE FEATURE OUT	OMIT	OMIT	USE	OMIT	USE	OMIT	OMIT	USE	USE	OMIT	1K	100-1025
	-08	SINGLE DENSITY, EXTERNAL ERASE, -12/-15V, POWER SAVE FEATURE IN	OMIT	OMIT	USE	OMIT	USE	USE	USE	USE	USE	OMIT	1K	100-1025
	-09	DOUBLE DENSITY, INTERNAL ERASE, -5V, POWER SAVE FEATURE OUT	USE	USE	OMIT	USE	OMIT	OMIT	OMIT	USE	USE	USE	2.2K	100-2225
	-10	DOUBLE DENSITY, INTERNAL ERASE, -5V, POWER SAVE FEATURE IN	USE	USE	OMIT	USE	OMIT	USE	USE	USE	USE	USE	2.2K	100-2225
	-11	DOUBLE DENSITY, INTERNAL ERASE, -12/-15V, POWER SAVE FEATURE OUT	USE	OMIT	USE	USE	OMIT	OMIT	OMIT	USE	USE	USE	2.2K	100-2225
	-12	DOUBLE DENSITY, INTERNAL ERASE, -12/-15V, POWER SAVE FEATURE IN	USE	OMIT	USE	USE	OMIT	USE	USE	USE	USE	USE	2.2K	100-2225
SINGLE DOUBLE DENSITY EXTERNAL TRIM ERASE OPTION	-13	DOUBLE DENSITY, EXTERNAL ERASE, -5V, POWER SAVE FEATURE OUT	OMIT	USE	OMIT	OMIT	USE	OMIT	OMIT	USE	USE	USE	2.2K	100-2225
	-14	DOUBLE DENSITY, EXTERNAL ERASE, -5V, POWER SAVE FEATURE IN	OMIT	USE	OMIT	OMIT	USE	USE	USE	USE	USE	USE	2.2K	100-2225
	-15	DOUBLE DENSITY, EXTERNAL ERASE, -12/-15V, POWER SAVE FEATURE OUT	OMIT	OMIT	USE	OMIT	USE	OMIT	OMIT	USE	USE	USE	2.2K	100-2225
	-16	DOUBLE DENSITY, EXTERNAL ERASE, -12/-15V, POWER SAVE FEATURE IN	OMIT	OMIT	USE	OMIT	USE	USE	USE	USE	USE	USE	2.2K	100-2225

TABLE V SPARES:

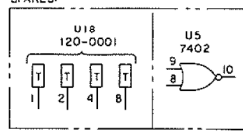
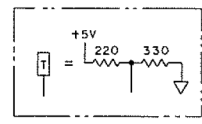


TABLE III ③

PART NUMBER	REFERENCE DESIGNATION
104-2071	R62
139-1020	C15, 16
700-4221	U10
100-1525	R63
121-1800	R131
100-2745	R135
100-4745	R136
100-2225	R137
130-5615	C48
204-3993	Q32

REFERENCE DESIGNATIONS

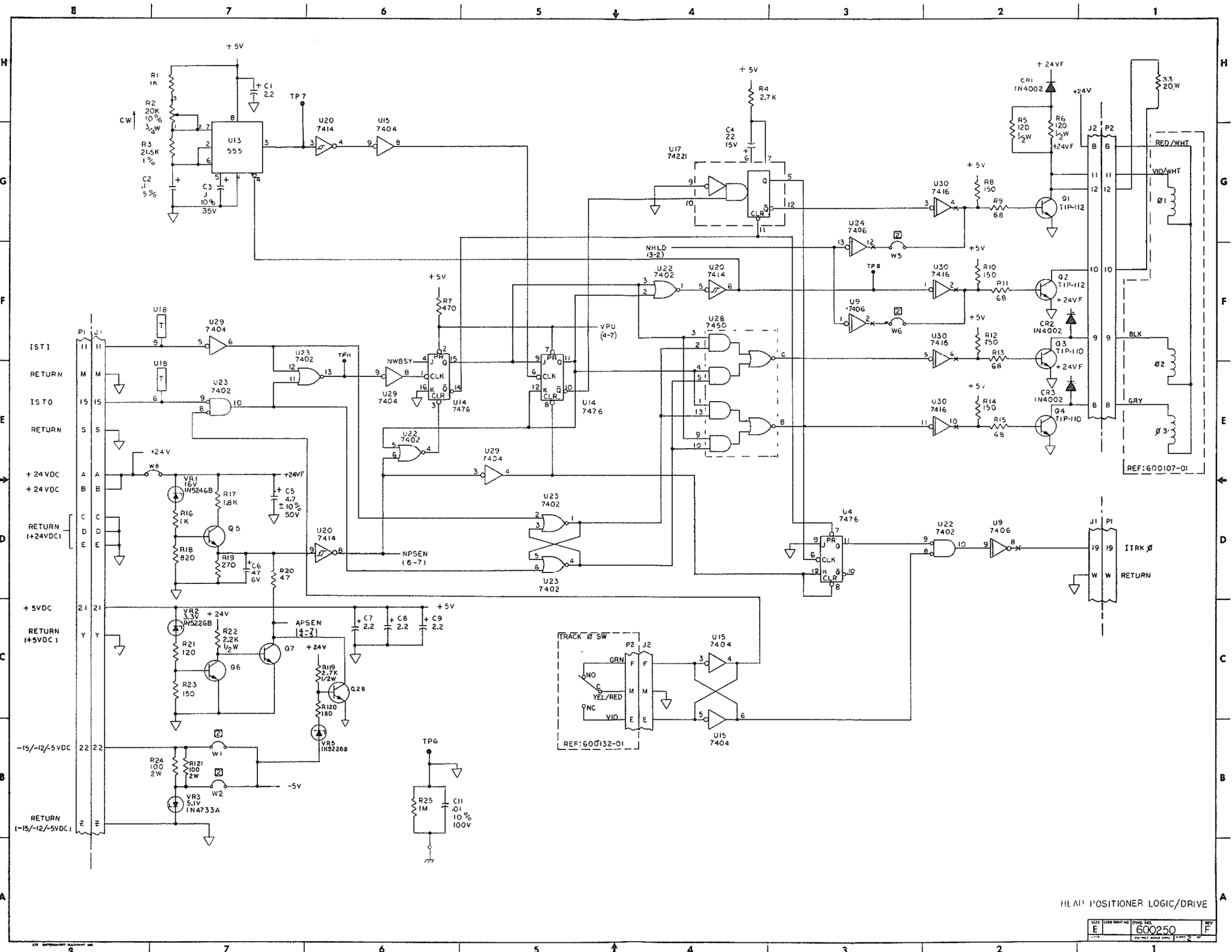
LAST USED	NOT USED	DELETED
C45	C35 THRU C46	C10, 17
CR19		CR5
		F1
L6		
Q32	Q22 THRU Q27	Q10, 11, 12, 13, 15
R137	R92 THRU R118, 130, 124	R40, 41, 42, 43, 44, 45, 48, 51, 52
TP15		
U20	U16, 18, 19, 28	
VR5		
W9		W7

- ① VERSIONS OF THIS ASSEMBLY FOR INTERNAL/EXTERNAL TRIM/ERASE MAY BE CREATED BY INSTALLING C15, C16, R62, R63, R131 AND SELECTING W1 OR W4 AS APPLICABLE.
- 11. SIGNALS ARE CROSS-REFERENCED BETWEEN SHEETS AND WITHIN A SHEET BY NUMBERS APPEARING UNDER THE ASSOCIATED LOGIC-TERM ALPHANUMERIC. THE FIRST NO. IS THE SHEET NO. AND THE SECOND NO. IS THE ZONE NO.
- 10. DIODES ARE 1N4446.
- 9. PNP TRANSISTORS ARE 2N4125.
- 8. NPN TRANSISTORS ARE 2N4123.
- 7. CAPACITOR VALUES ARE IN MICROFARADS, 20%, 20V.
- 6. RESISTOR VALUES ARE IN OHMS, 5%, 1/4W.
- 5. FOR SPARE LOGIC ELEMENTS, SEE TABLE V.
- 4. PIN 7 OF ALL I.C.'S IS GND. 7406 PIN 13 IS GND. 7421 PIN 8 IS GND. PIN 14 OF ALL I.C.'S IS +5V. PIN 5 IS +5V. PIN 16 IS +5V.
- ② FOR PART NUMBER SEE TABLE III.
- ③ FOR VALUE, PART NUMBER AND USAGE OF COMPONENTS AFFECTED BY VERSION NUMBER, SEE TABLE II.
- ④ FOR PART NUMBER OF COMPONENTS NOT AFFECTED BY VERSION NUMBER, SEE TABLE I.

REFERENCE DRAWINGS:
ASSEMBLY NO. 600251

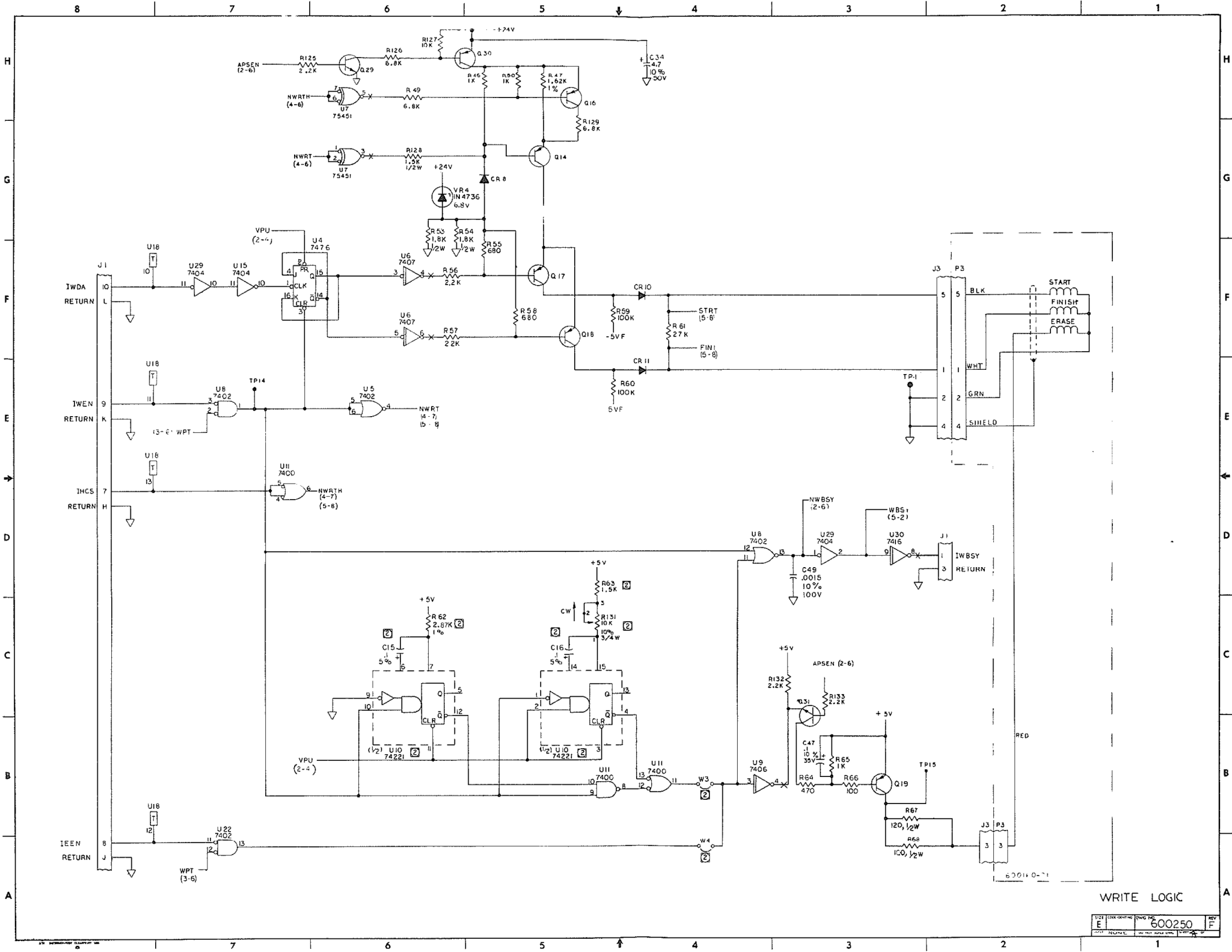
<small>THIS DRAWING IS THE PROPERTY OF PERTEC CORPORATION. IT IS TO BE USED FOR THE MANUFACTURE OF PERTEC EQUIPMENT ONLY. IT IS NOT TO BE REPRODUCED, COPIED, OR TRANSMITTED IN ANY FORM OR BY ANY MEANS, ELECTRONIC OR MECHANICAL, INCLUDING PHOTOCOPYING, RECORDING, OR BY ANY INFORMATION STORAGE AND RETRIEVAL SYSTEM.</small>	SIGNATURES: _____ DATE: _____ CHECKED BY: _____ DATE: _____ DRAWN BY: _____ DATE: _____ INK: _____ DATE: _____ PENCIL: _____ DATE: _____ MAKE ALL SHARP CORNERS APPROX. 0.125"	DATE: _____ TITLE: SCHEMATIC, FD, BASIC II, AC PERTEC PERIPHERAL EQUIPMENT
SIZE: E DRAWING NO.: 600250 REV: 1	DATE: _____ TITLE: _____ PERTEC PERIPHERAL EQUIPMENT	DATE: _____ TITLE: _____ PERTEC PERIPHERAL EQUIPMENT

600250



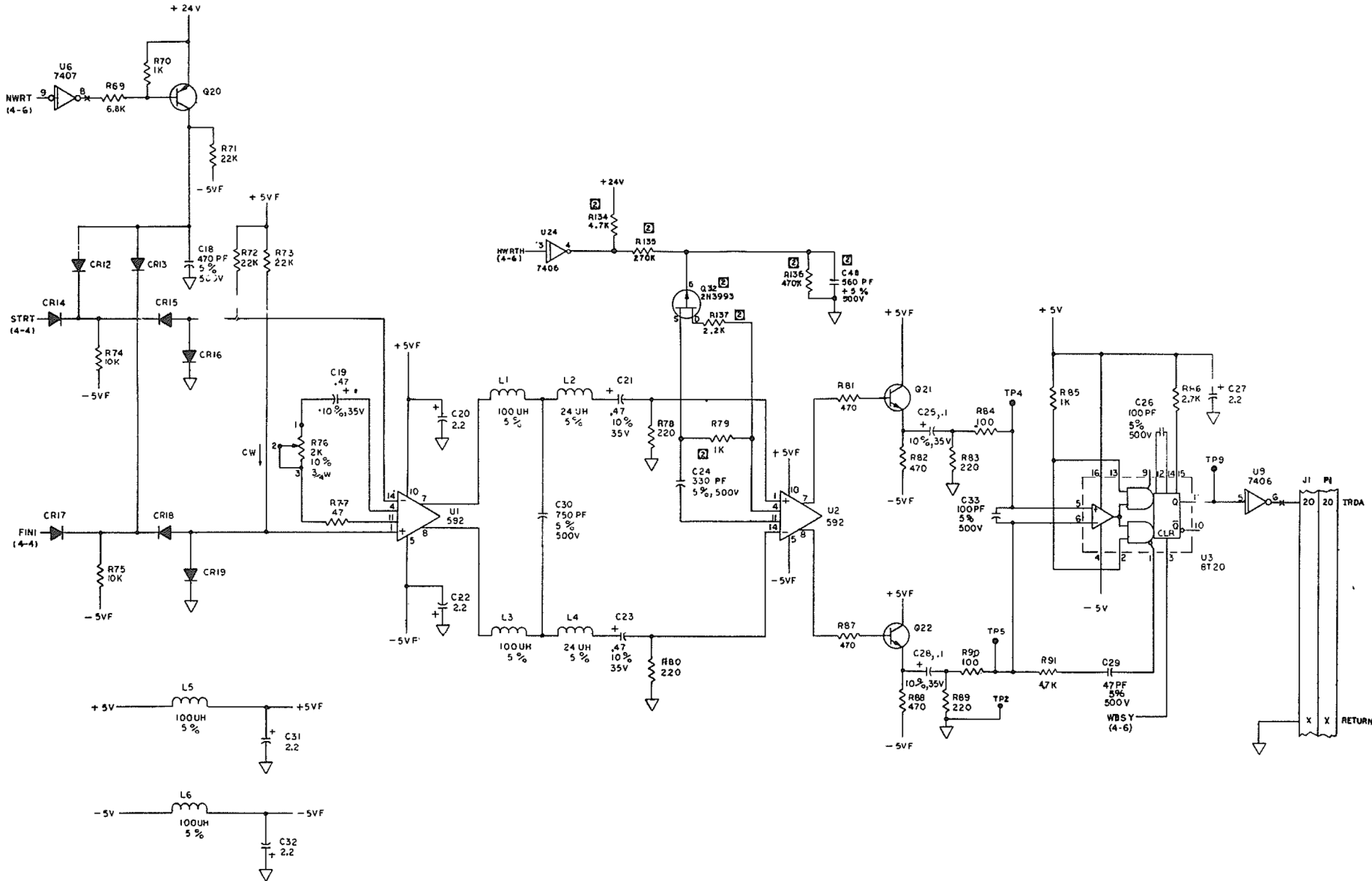
MAIN POSITIONER LOGIC/DRIVE

REV	DATE	CODE	REV NO	QTY	VAL
E			600250		



WRITE LOGIC

124	00000000	0000	REV
E		600250	F



READ AMPLIFIER