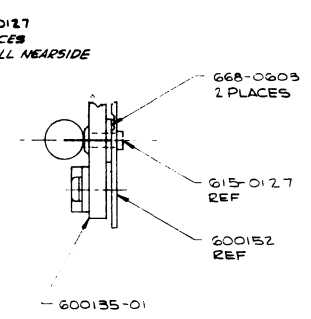
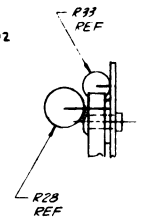
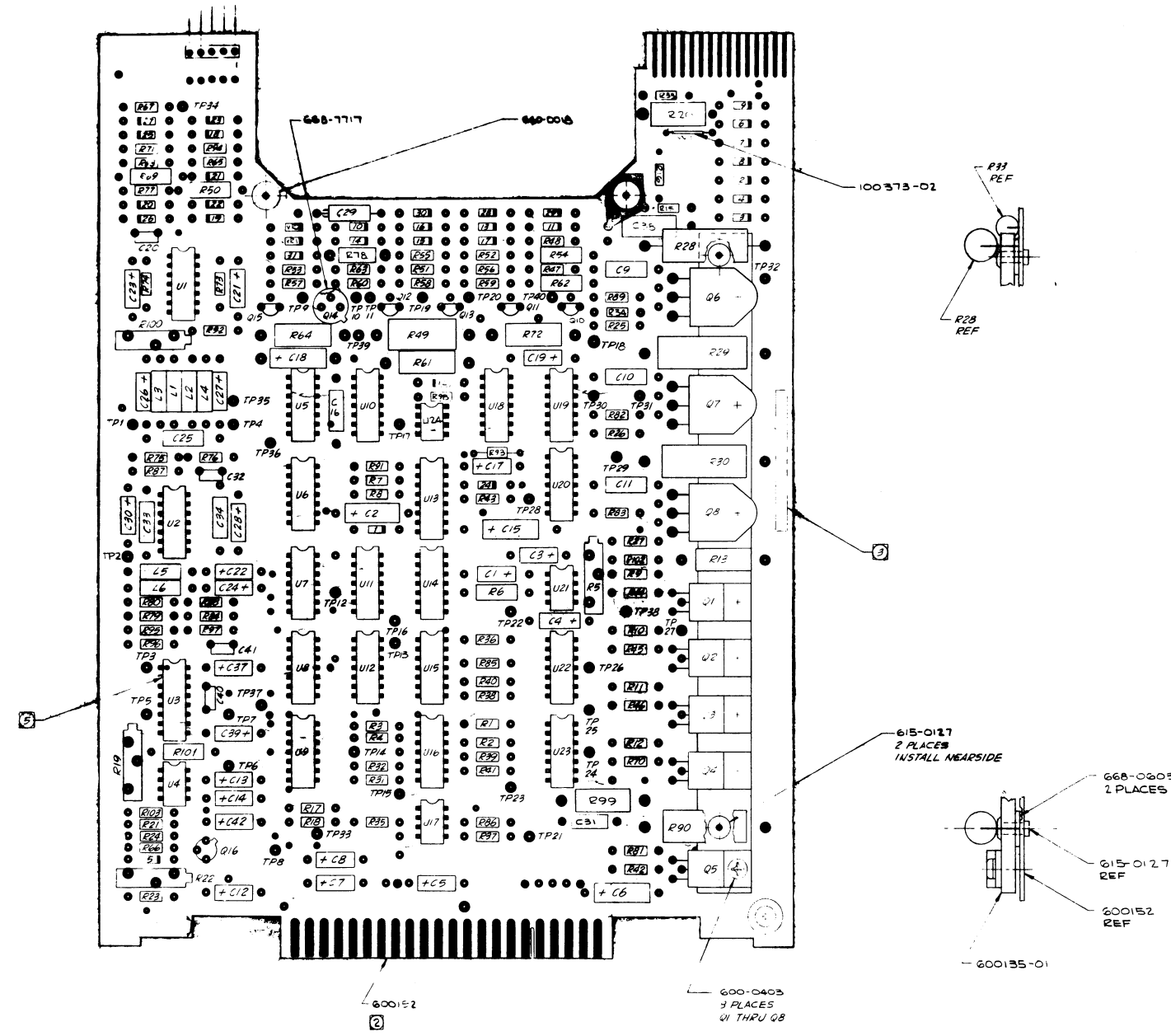


REV	DESCRIPTION
A	REV 1 2002 PCB FILE
B	REV 2 2012



- ③ TYPICAL IC PACKAGE INSTALLATION. DOT INDICATES PIN 1.  
 4. □ DEPICTS DIODE. SHADED END INDICATES CATHODE. EX. 31 DENOTES CR5.  
 ⑤ RUBBER STAMP PART NO. 600191 INCLUDING VERSION NO. AND VERSION ISSUE LETTER.  
 ② THIS ASSEMBLY SHALL BE MADE FROM PROCESS BOARD 600192-01 REV A.  
 NOTES:  
 1. ASSEMBLE PER STANDARD MFG METHODS.

JUN 24 1975

THE INFORMATION CONTAINED ON THIS DRAWING IS THE PROPERTY OF PERTEC CORPORATION. THE DESIGN OF THIS DRAWING IS THE PROPERTY OF PERTEC CORPORATION. NO PART OF THIS DRAWING IS TO BE REPRODUCED OR TRANSMITTED IN ANY FORM OR BY ANY MEANS, ELECTRONIC OR MECHANICAL, INCLUDING PHOTOCOPYING, RECORDING, OR BY ANY INFORMATION STORAGE AND RETRIEVAL SYSTEM, WITHOUT THE WRITTEN PERMISSION OF PERTEC CORPORATION.		SIGNATURES DATE	PERTEC PERIPHERAL EQUIPMENT
UNLESS OTHERWISE SPECIFIED DIMENSIONS ARE IN INCHES TOLERANCES: FRACTIONS ± 0.005 DECIMALS ± 0.0025 HOLE DIA. ± 0.0025 BREAK ALL SHARP CORNERS R0.015	TITLE PCB/FLEXIBLE DISK DRIVE ELECTRONICS BASIC IA	SIZE CODE (SEE DRAWING FOR SCALE) 600191	BY B
FINISH NEXT ASSY. TO BE USED ON APPLICATION	APPLICATION	SCALE	DO NOT SCALE FROM THIS DRAWING