

1	1	PIM/1	P. I. Board	E7/1
2	4	MC6820	PIA	E6-E9
3	2	SN7400	NAND Gate	E5, 15
4	2	SN7402	NOR Gate	E4, 14
5	4	SN7404	Inverter	E2, 12, 16, 17
6	1	SN7408	AND Gate	E17
7	2	SN7417	Hex Buffer	E10, 11, 21
8	1	SN7420	NAND Gate	E1
9	2	SN7474	F/F	E13, 18
10	1	SN74123	One Shot	E20
11	1	SN74155	2 line to 4 line Demux	E3
12				
13	15	314-AC390	14 Pin Socket	X1-X15
14	4	340-AC390	40 Pin Socket	E6-E9 sockets
15	2	1N914	Diode	D1, D2
16	6		Resistor, 330 ohm, 1/4 w	R1, 3, 5, 7, 9, 11
17	6		Resistor, 220 ohm, 1/4 w	R2, 4, 6, 8, 10, 12
18	4		Resistor 33K 1/4 w	R13-16
19	1		Resistor 25K 1/4 w	R18
20	1		Capacitor 100 uF.	C1
21	10		Capacitor .1 uF.	C2-C11
22	1		Capacitor 47 uF.	C12

No R17

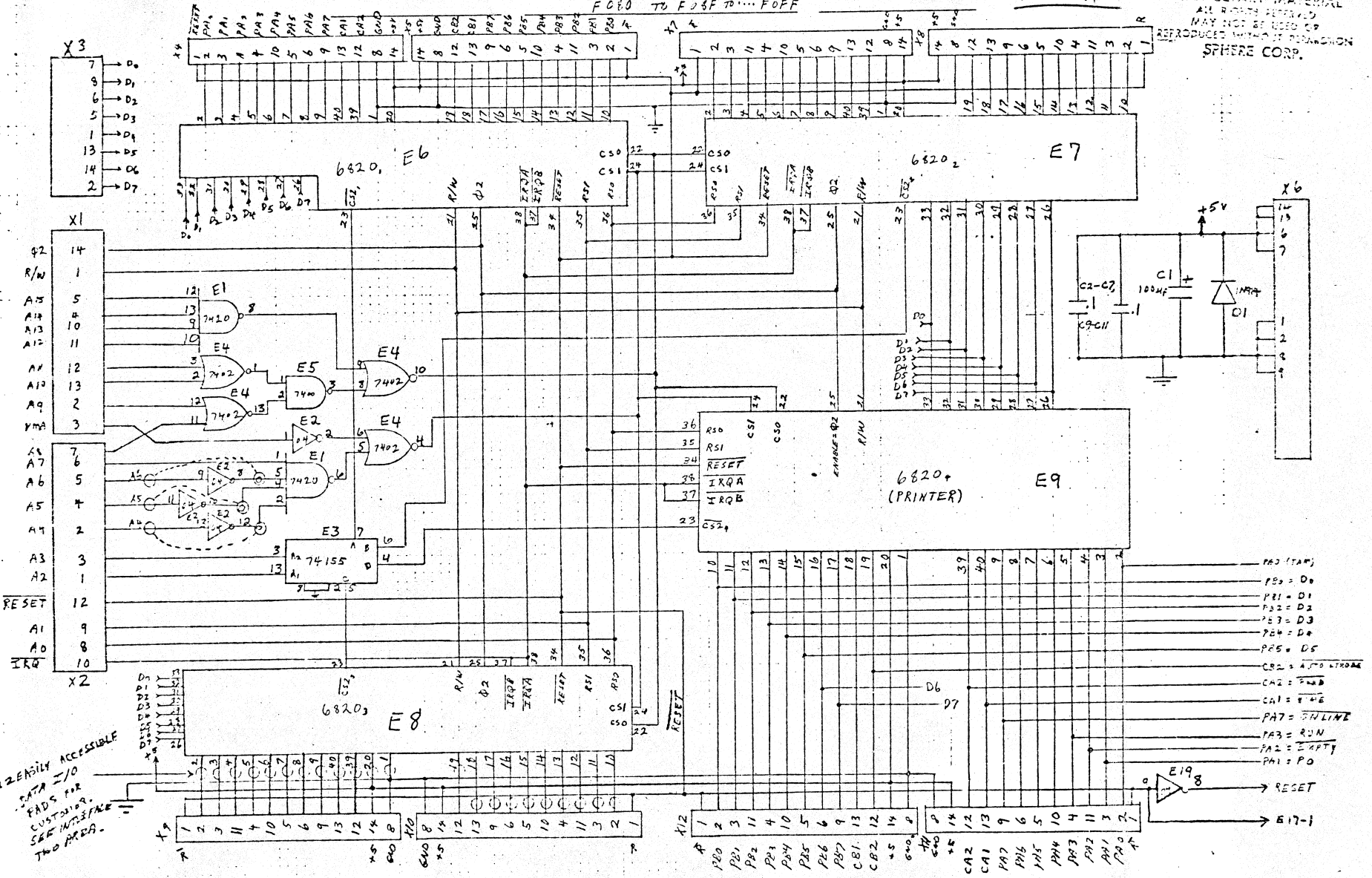
\* ADDRESS GIVEN AS WIRED! JUMPERS ON A4, A5, AND A6 WILL ALLOW SELECTION OF 7 ADDITIONAL P.I.M. I CARDS WITH ADDRESSES F09X, F0AX, F0BX, ... F0FX.

CHKD. BY \_\_\_\_\_ DATE \_\_\_\_\_ JOB NO. \_\_\_\_\_

PIV11

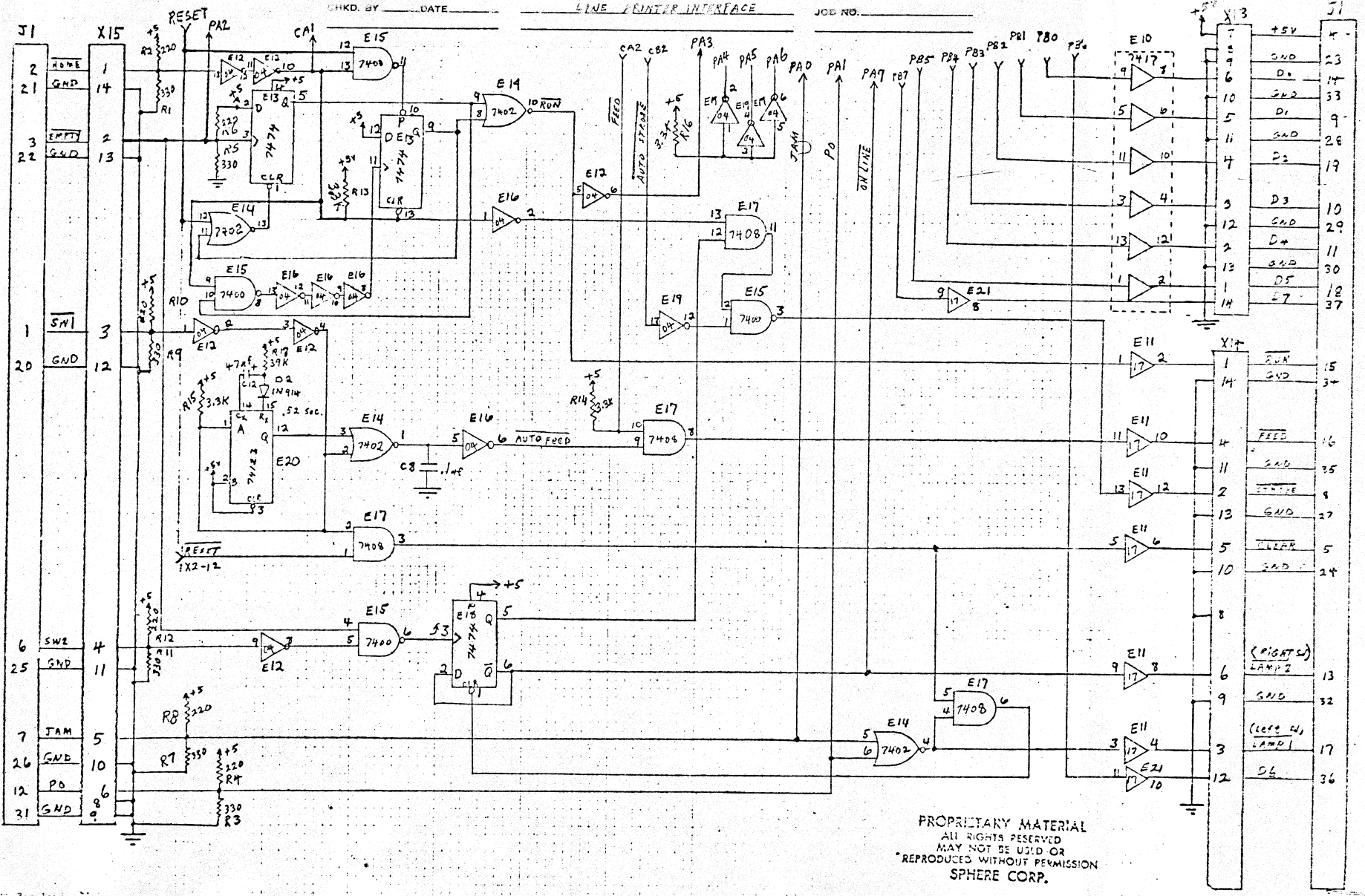
PROPRIETARY MATERIAL  
ALL RIGHTS RESERVED  
MAY NOT BE USED OR  
REPRODUCED WITHOUT PERMISSION  
SPHERE CORP.

WIRED FOR  
FO8X



22 EASILY ACCESSIBLE  
DATA I/O  
PADS FOR  
CUSTOMER  
SERVICING  
TRIO PAPER.

SPHERE



PROPRIETARY MATERIAL  
 ALL RIGHTS RESERVED  
 MAY NOT BE USED OR  
 REPRODUCED WITHOUT PERMISSION  
 SPHERE CORP.

SPHERE