

U9, U17
R1, C1, C14, C17, W12, W17
C14, C17, W12, W17

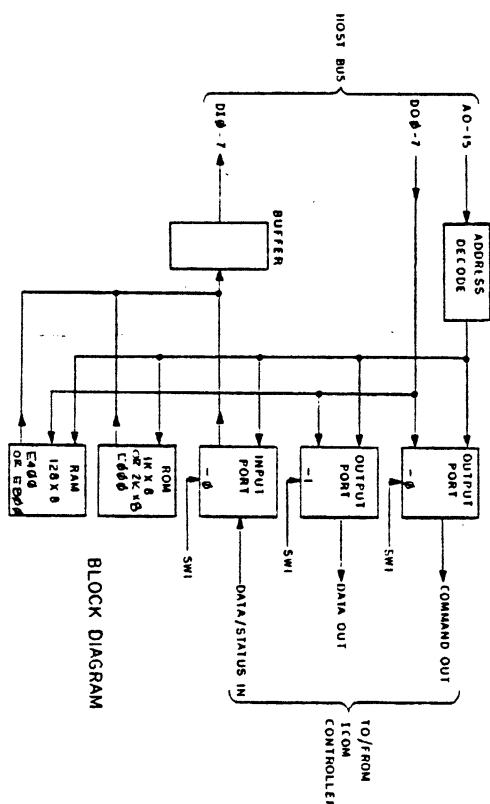
U9, U17
R1, C1, C14, C17, W12, W17

DESCRIPTION	REF. NO. / PART NO.	USE	SPARE
250245-01	U9, U17, R1, C1, C14, C17, W12, W17	USE	OMIT
250245-02	U9, U17, R1, C1, C14, C17, W12, W17	OMIT	USE

TABLE I

REF. DES.	TYPE	SPARES
U9	74LS10	A
U17	74LS221	B

TABLE II



LAST USED	NOT USED	DELETED
C2G		
R1		
U25		
VR3		

NOTES: UNLESS OTHERWISE SPECIFIED.
1 FOR SPARE LOGIC ELEMENTS SEE TABLE I.
2 RESISTOR VALUES ARE IN OHMS, 5%, 1/4W.
3 CAPACITOR VALUES ARE IN MICROFARADS, 20%, 35V.
4 SIGNALS ARE CROSS-REFERENCED BETWEEN SHEETS AND WITHIN A SHEET BY NUMBERS APPEARING UNDER THE ASSOCIATED LOGIC TERM MNEMONIC.
5 14 PIN I.C.'S - PIN 7 IS GROUND & PIN 14 IS +5V.
6 16 PIN I.C.'S - PIN 6 IS GROUND & PIN 16 IS +5V.

FOR VALUE, P/N AND USAGE OF COMPONENTS AFFECTED BY VERSION NUMBER SEE TABLE II.

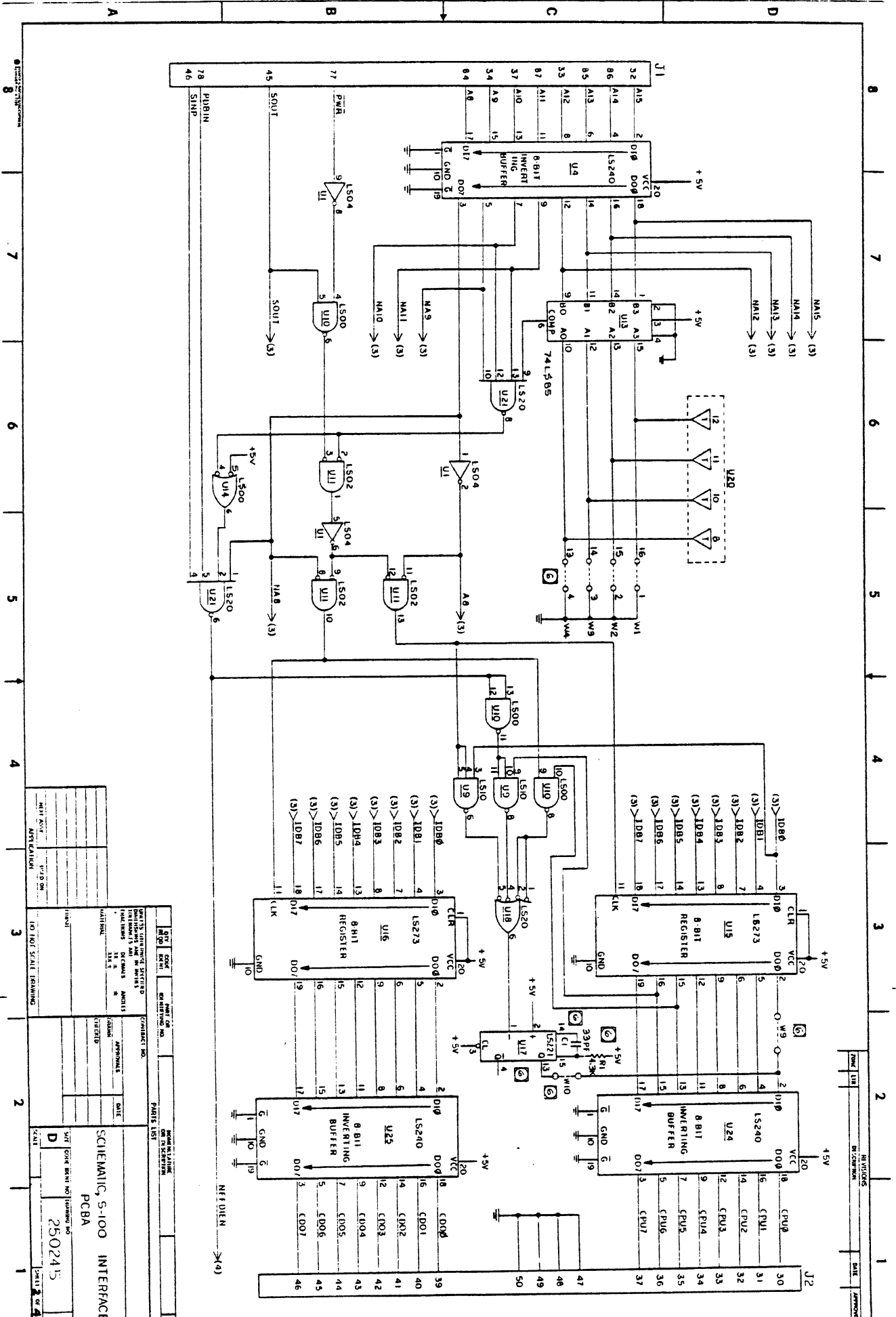
DO NOT SCALE DIMENSIONS

250245-01

SCHWEMMATIC, 0100

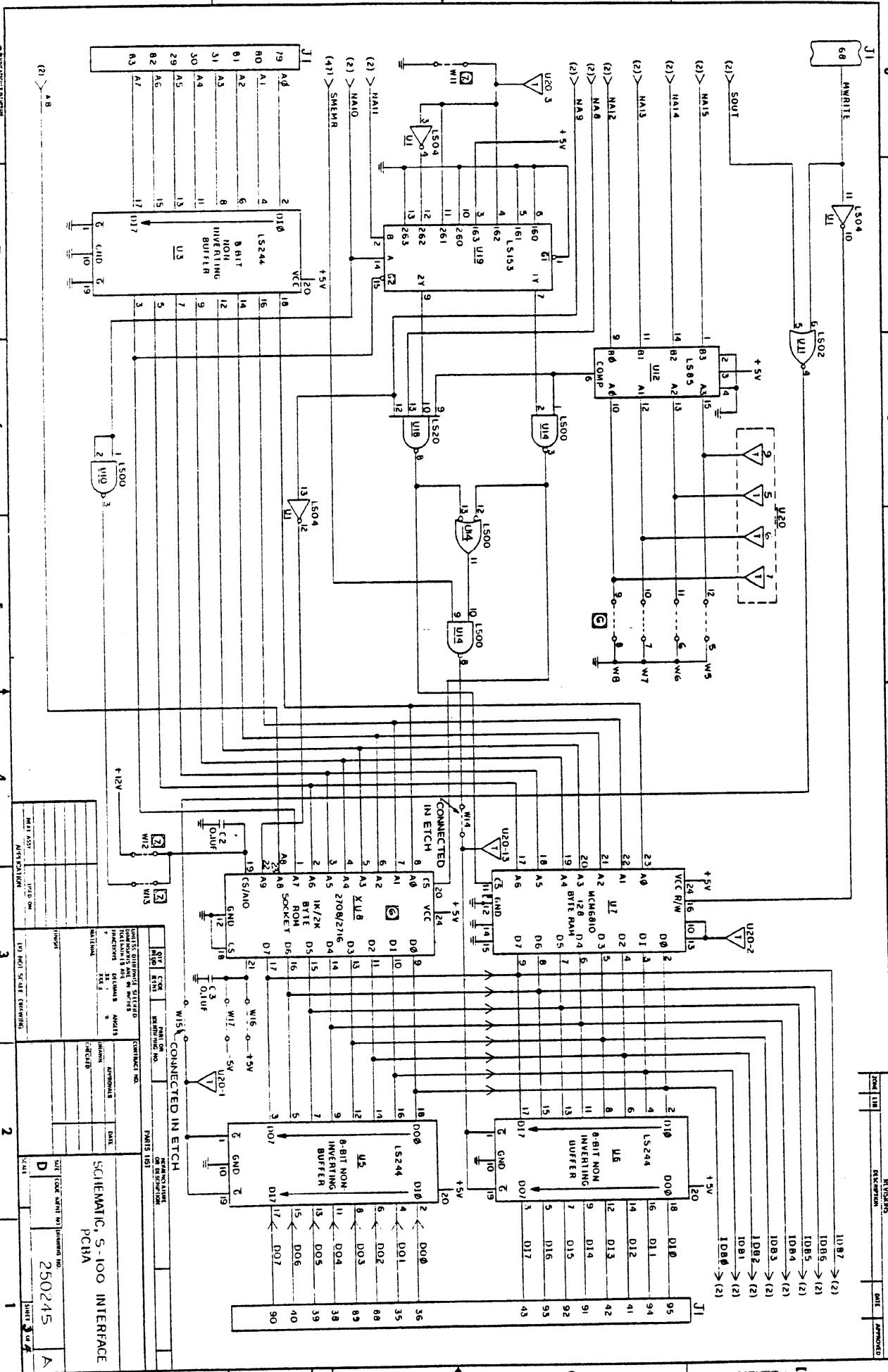
INTERFACE PC18A

250245



PARTS LIST		MANUFACTURING INFORMATION	
QTY	DESC	REF ID	REV
DATE		CONTRACT NO.	
DRAWN BY		CHECKED BY	
APPROVED BY		DATE	
SCHEMATIC S-100 INTERFACE PCB A			
REV		DATE	
1		250245	
PCBA			

8 7 6 5 4 3 2 1



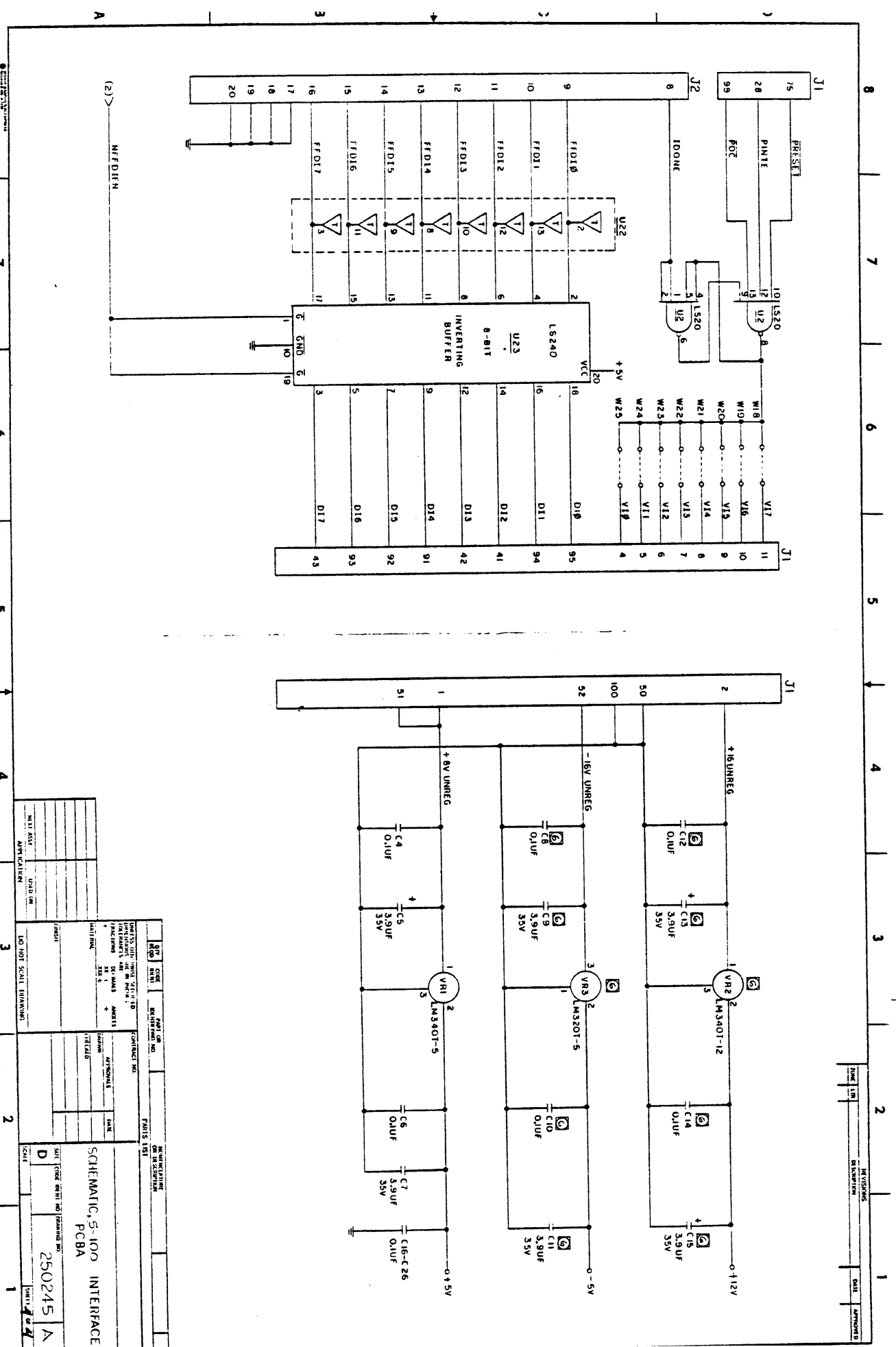
ITEM NO.	DESCRIPTION	QTY	UNIT
1	PCB	1	PCB
2	IC	1	IC
3	RES	1	RES
4	CAP	1	CAP
5	CONN	1	CONN
6	WIRE	1	WIRE
7	WIRE	1	WIRE
8	WIRE	1	WIRE

ITEM NO.	DESCRIPTION	QTY	UNIT
1	PCB	1	PCB
2	IC	1	IC
3	RES	1	RES
4	CAP	1	CAP
5	CONN	1	CONN
6	WIRE	1	WIRE
7	WIRE	1	WIRE
8	WIRE	1	WIRE

ITEM NO.	DESCRIPTION	QTY	UNIT
1	PCB	1	PCB
2	IC	1	IC
3	RES	1	RES
4	CAP	1	CAP
5	CONN	1	CONN
6	WIRE	1	WIRE
7	WIRE	1	WIRE
8	WIRE	1	WIRE

CONTRACT NO. _____
 PARTS LIST _____
 DATE _____
 APPROVED _____
 DESIGNED BY _____
 CHECKED BY _____
 DRAWN BY _____
 INCHES _____
 MILLIMETERS _____
 SCALE _____
 SHEET _____ OF _____

SCHEMATIC S-100 INTERFACE
 PCB
 PART NO. 250245
 DATE 3/81
 SHEET 1 OF 1



REV	DATE	BY	CHKD	DESCRIPTION
1				

DESIGNED BY	DATE	APPROVED BY
DRAWN BY		
CHECKED BY		
TESTED BY		
DATE TESTED		

CONTRACT NO.	DATE
REVISED	
DATE	
SCALE	

SCHEMATIC, 5-IOO INTERFACE	DATE
PCBA	
250245	
A	