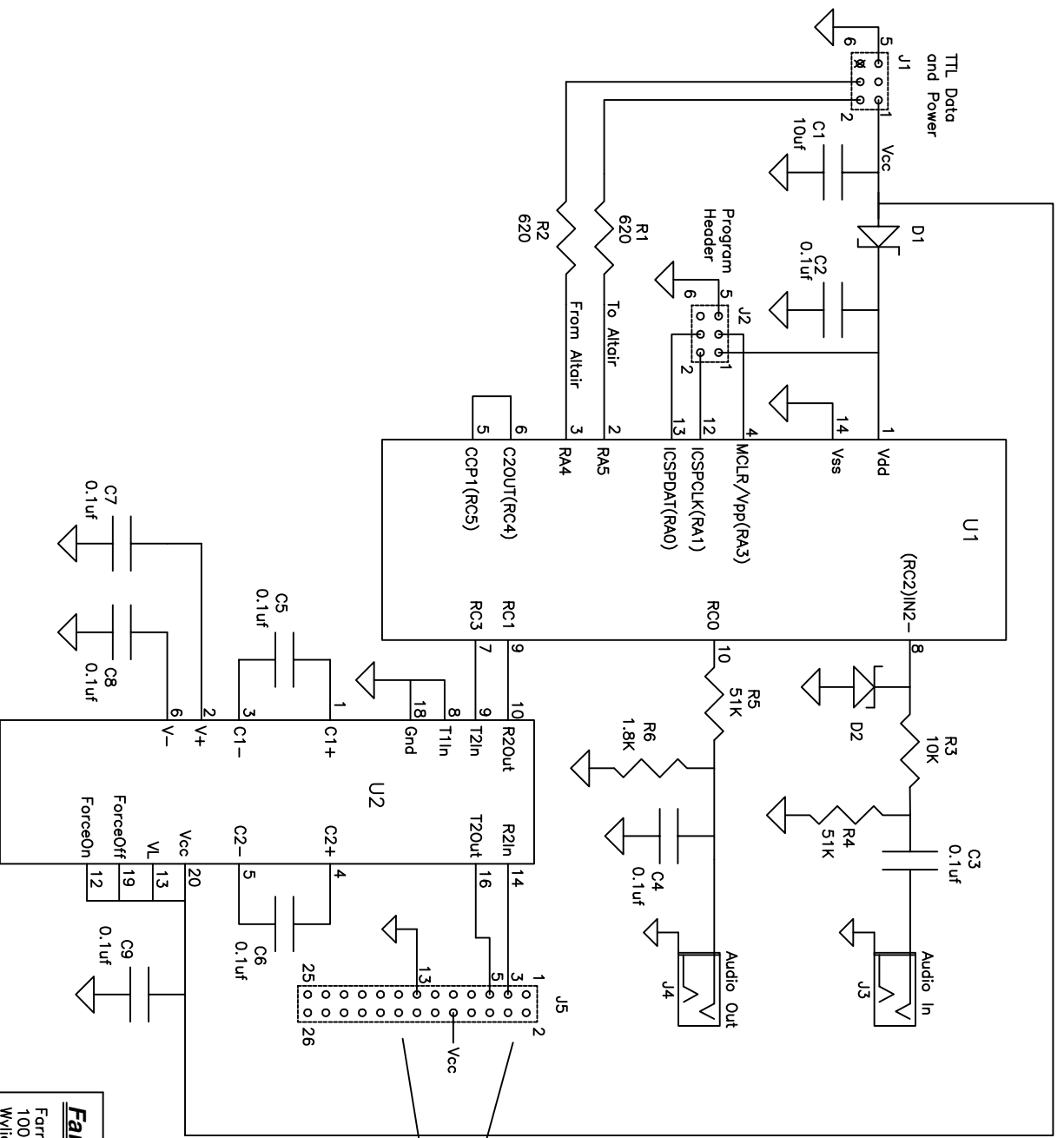


REVISIONS				
ZONE	REV	DESCRIPTION	DATE	APPROVED
		Add notes for S-100 use		

For TTL host data, install jumper across pins 2&4 of J2. Supply data and power through header J1.

For RS-232 host data, use no jumper on J2. Supply data through DB-25 and ribbon cable to J5. Power can be supplied through pin 18 on the DB-25 or through J1.

Note: The RS-232 host option requires firmware version 1.2 of October 2023.




To DB-25 Pins 2, 3, 7 and 18 (DB-25 wired as DCE)  
(Pin 18 can be used to supply 3.3 or 5vdc to this board)

		<b>FarmTek, Inc.</b> 1000-D Hwy 78 N. Wylie, TX 75098 (972) 429-0947	
<b>Altair Cassette Interface</b>		<b>MI056-P (PCB), MI056 (Final)</b>	
PART NUMBER MI056-P (PCB), MI056 (Final)	SIZE PCB REVISION PC037	DWG NO. DATE 10/19/23	REV SHEET 1 of 2

REVISIONS				
ZONE	REV	DESCRIPTION	DATE	APPROVED
		Add notes for S-100 use		

C1	CP313	10uf, 16v, 0805
C2-C9	CP307	0.1uf, 0805
D1,D2	DS307	SD103 Shottky Diode
J1,J2	CN033-4	2x3 Header
J3,J4	CN010	3.5mm Stereo Jack
J5	CN033-2	2x7 Header and
	CN033-4	2x3 Header
R1,R2	RS321	620 ohm, 5%, 0805
R3	RS303	10K, 5%, 0805
R4,R5	RS310	51.1K, 1%, 0805
R6	RS307	1.8K, 5%, 0805
U1	IC048	PIC16F1823-1/SL Processor
U2	IC052	MAX3380 RS-232 Transceiver

Assembly Notes:  
 J5 partially filled with 2x7 header (CN033-2)  
 positioned at pin 1

		<b>FarmTek, Inc.</b> 1000-D Hwy 78 N. Wylie, TX 75098 (972) 429-0947	
<b>Altair Cassette Interface</b>		<b>MIO56-P (PCB), MIO56 (Final)</b>	
PART NUMBER MIO56-P (PCB), MIO56 (Final)	SIZE PC037	PCB REVISION PC037	DWG NO. 
SCALE 	DATE 10/19/23	SHEET 2 of 2	REV 