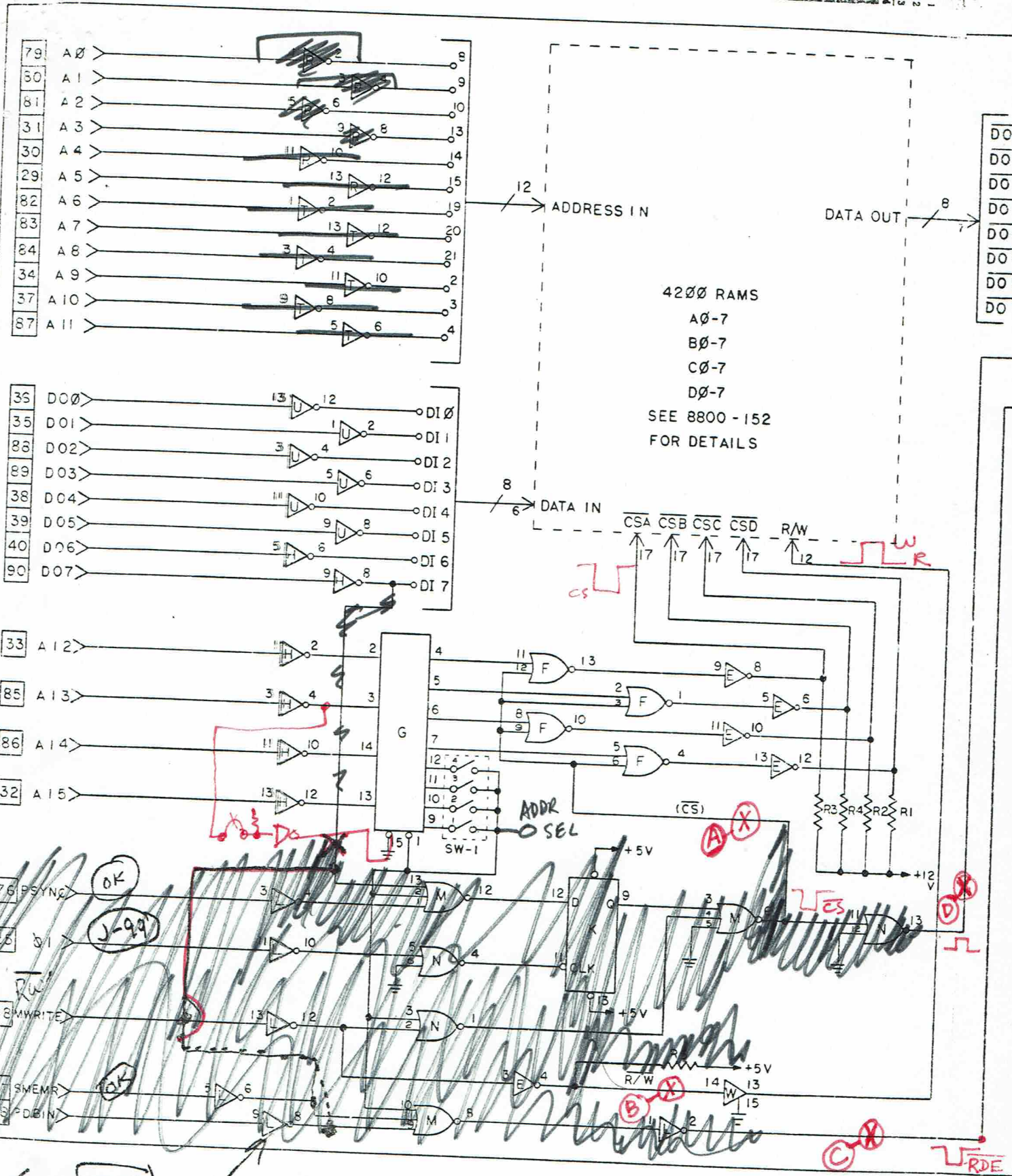


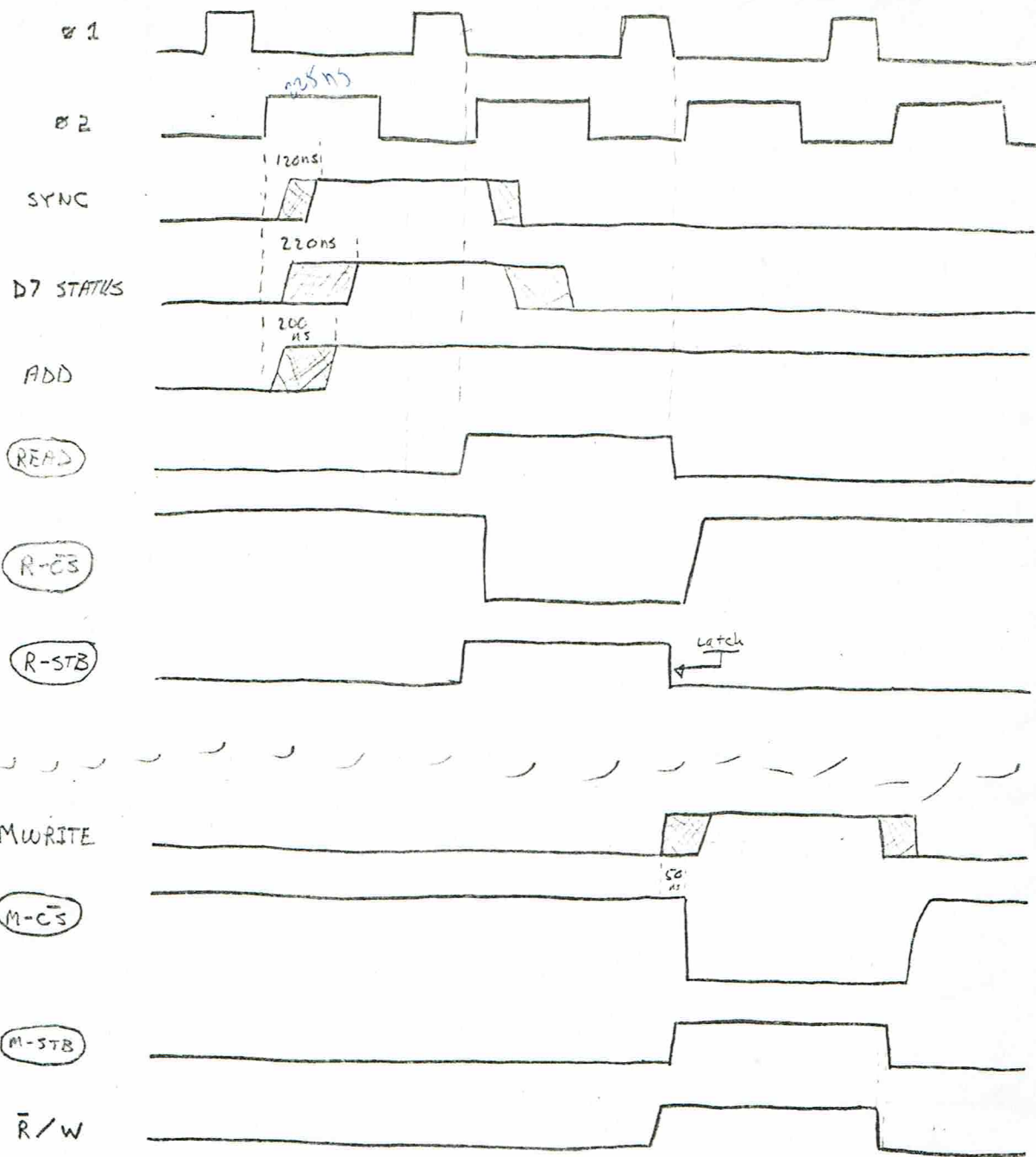
I.C	VCC	GND
A	74LS74	14 7
B	74LS02	14 7
C	74LS27	14 7
D	74LS04	14 7

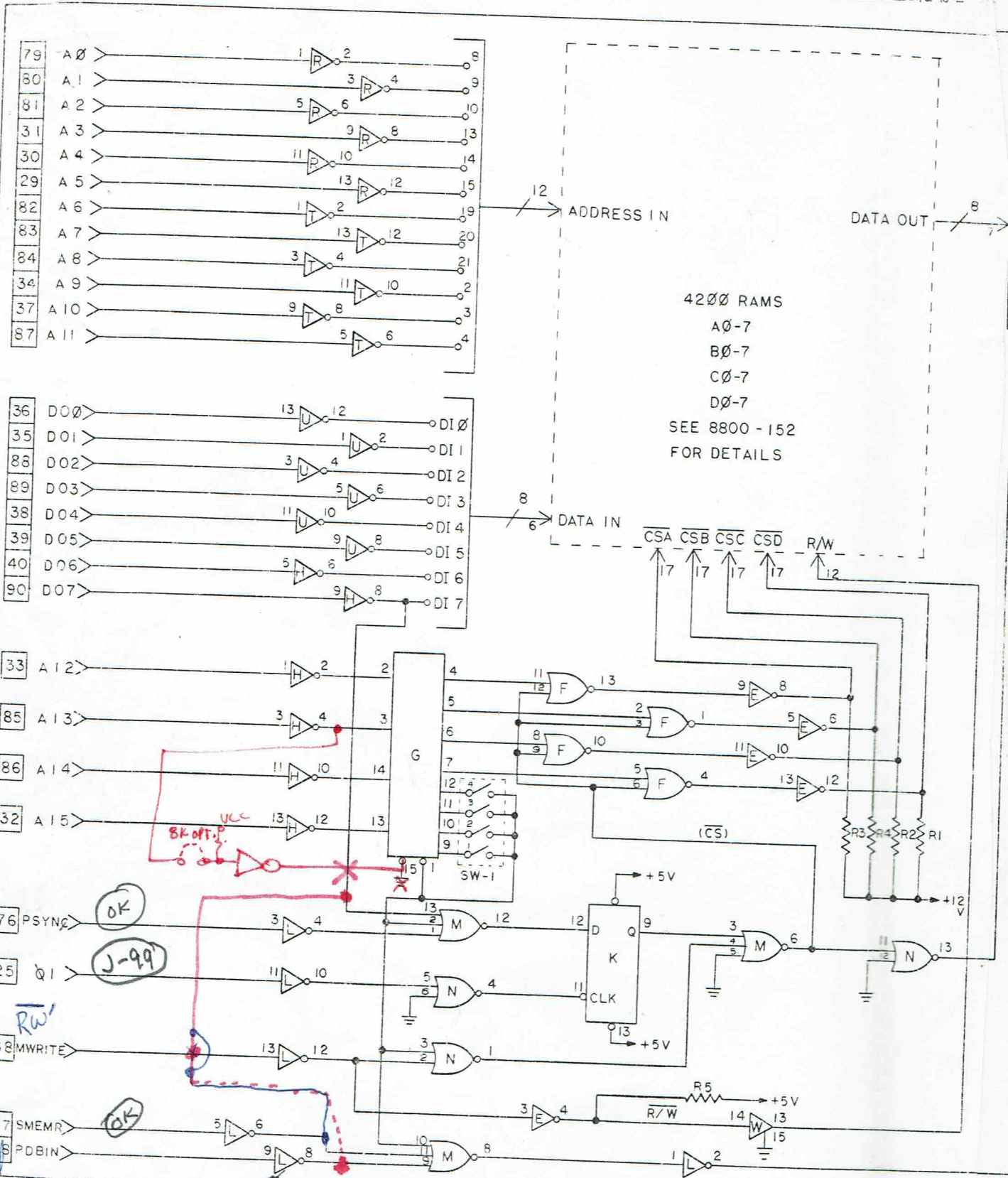
680-16K
 MEMORY LOGIC
 REVISION
 30 APRIL 76



02 = 78

+16
-16
+B (5V UNREG)





D00
 D01
 D02
 D03
 D04
 D05
 D06
 D07

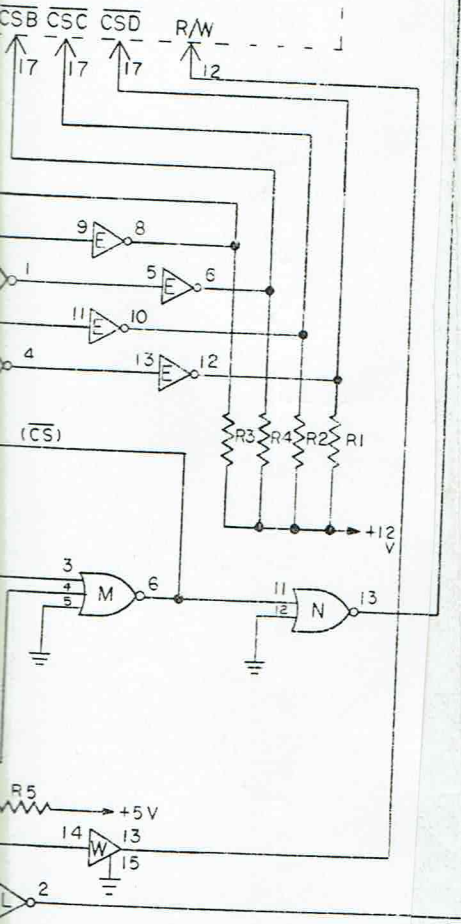
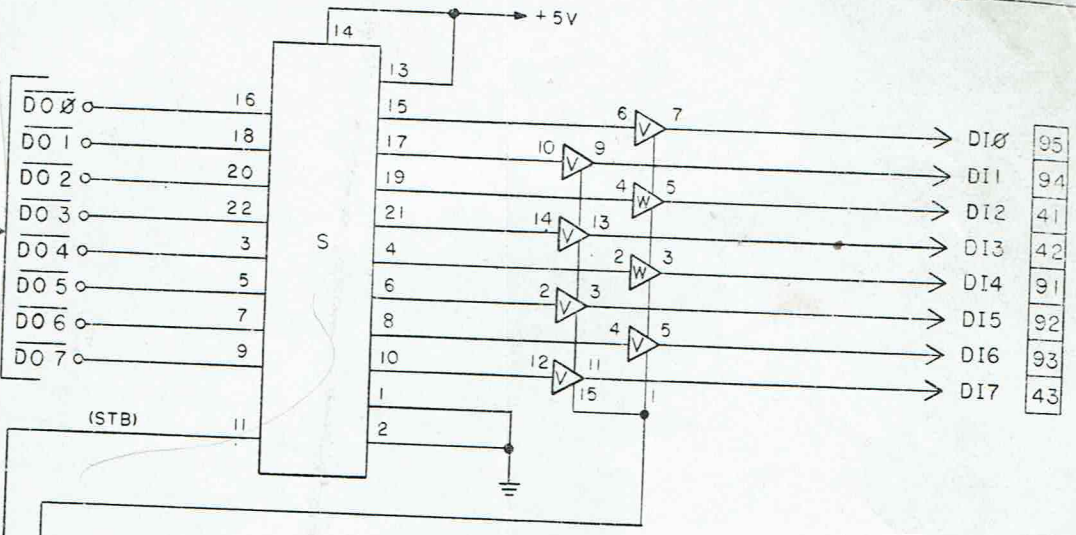
0106
 2MHz
 RW
 R/W
 R/W

02 = 78

+16
 -16
 +8 (5V UNREG)

4200 RAMS
 A0-7
 B0-7
 C0-7
 D0-7
 EE 8800 - 152
 OR DETAILS

DATA OUT → 8



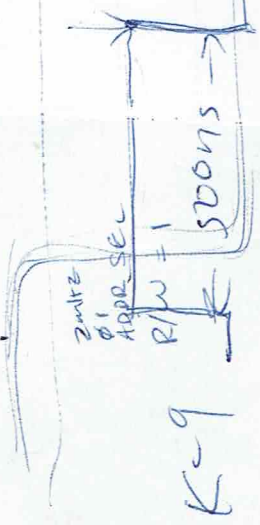
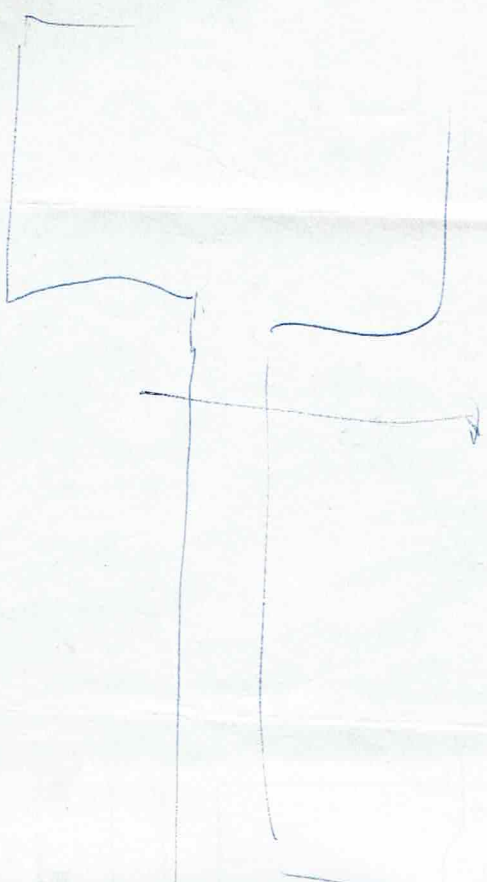
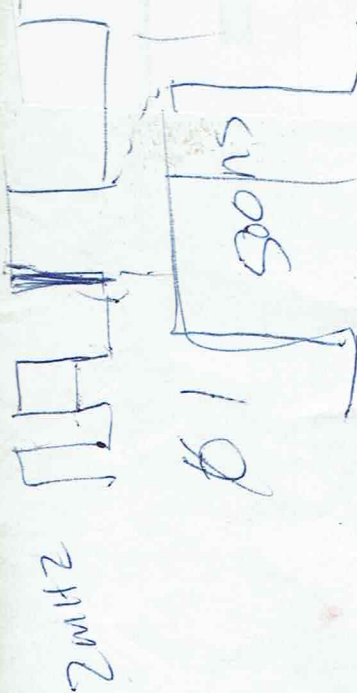
QTY	TYPE	VCC	GND	VDD	VBB
A-D	4200	11	22	18	1
E	7406	14	7		
F	74L02	14	7		
G	LS139	16	8		
H-U	74LS14	14	7		
L,R,T	7414	14	7		
M	7427	14	7		
N	7402	14	7		
S	8212	24	12		
V,W	8T97	16	8		

mits inc

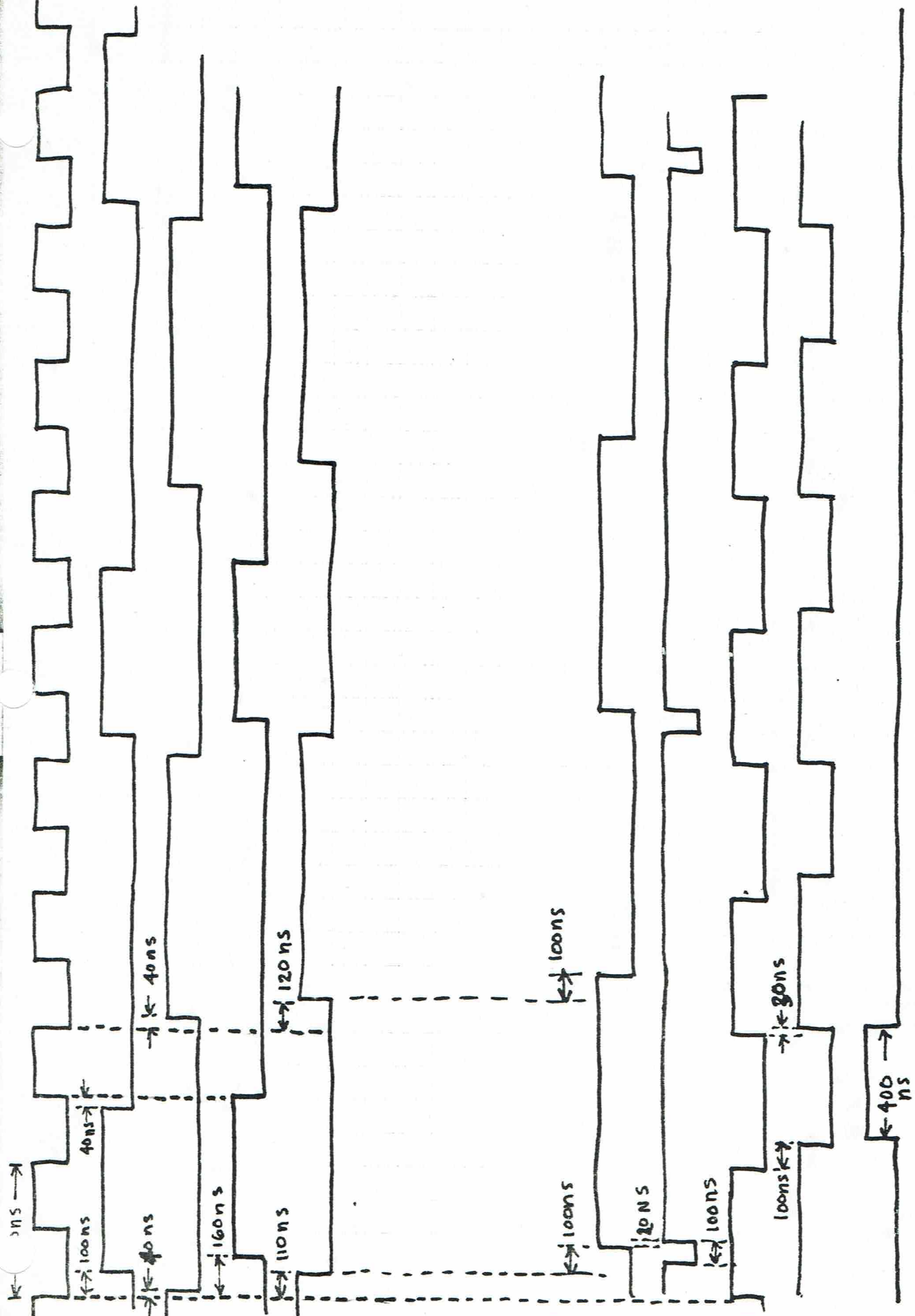
16K STATIC

DRAWN BY: J.D. DATE: 4/6/76 CHECKED BY: DATE: SCALE:

8800 - 150



STB
DATA XFR
TO 8212 LATCH



GBO
 BUS 2MHz
 G800 P1
 G800 P2
 BUS P1
 BUS P2
 R/W
 R/W'
 16K MEM
 OZ'
 CLR (FF)
 Q (FF)
 Q'
 READ CS