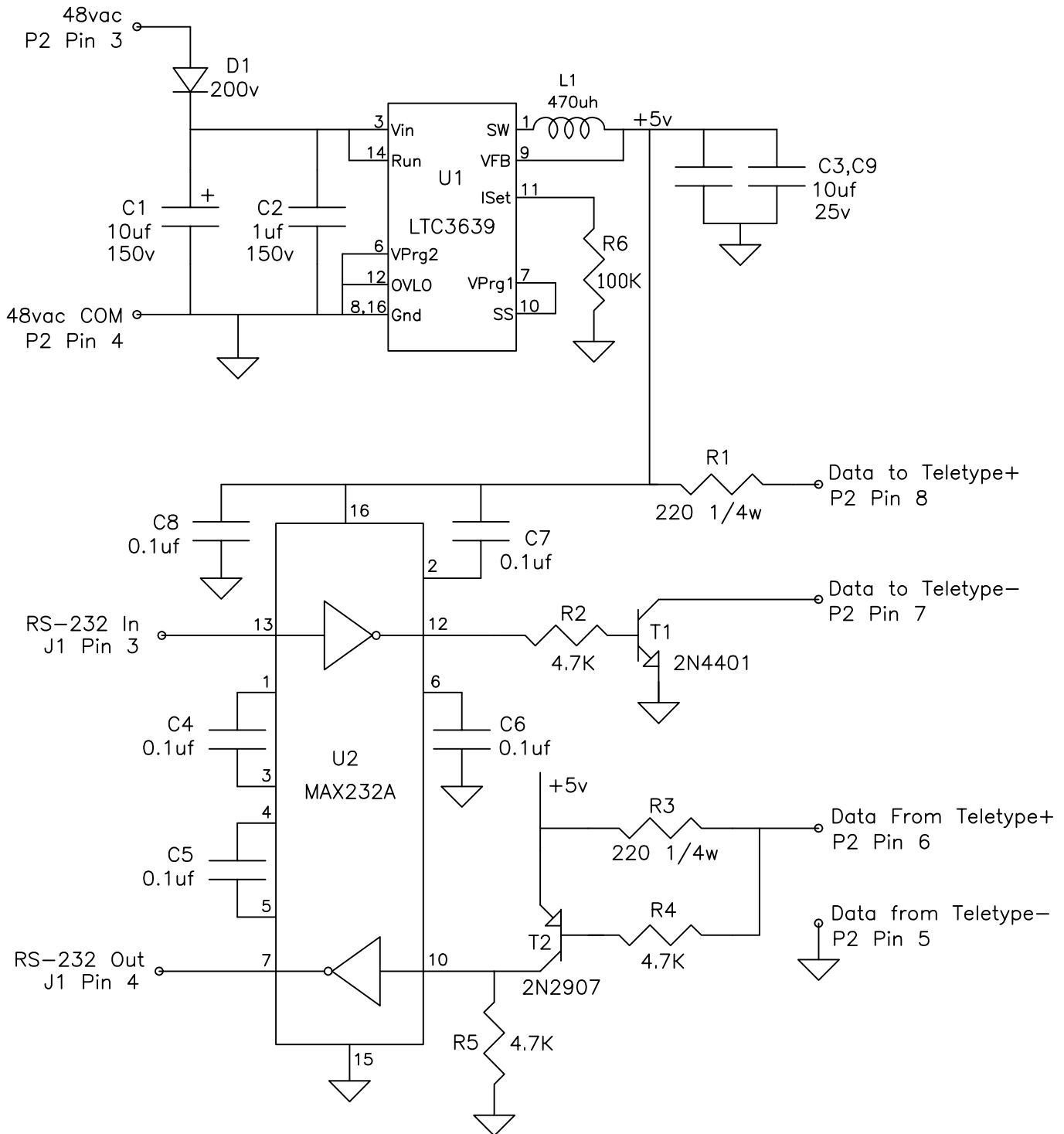


Teletype RS-232 Adapter

This board mounts onto P2 in the Teletype from which it obtains access to 48 vac power and to the transmit and receive lines

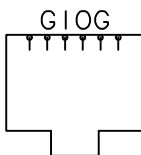


Looking into the modular jack on the PCB with hook down

"G" signal ground

"I" data in to the Teletype

"O" data out from the Teletype



Rev A, 10/9/18
Mike Douglas