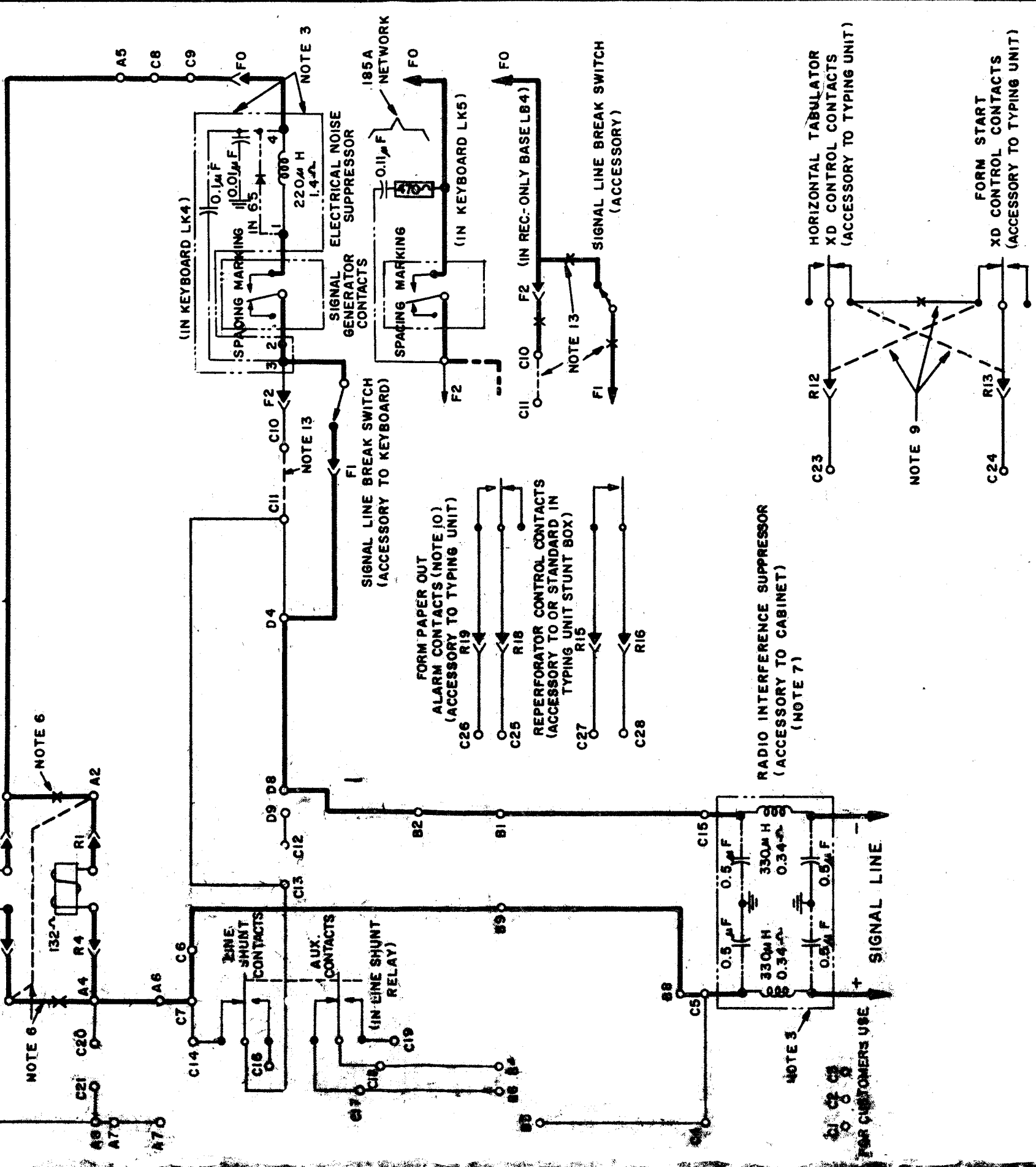
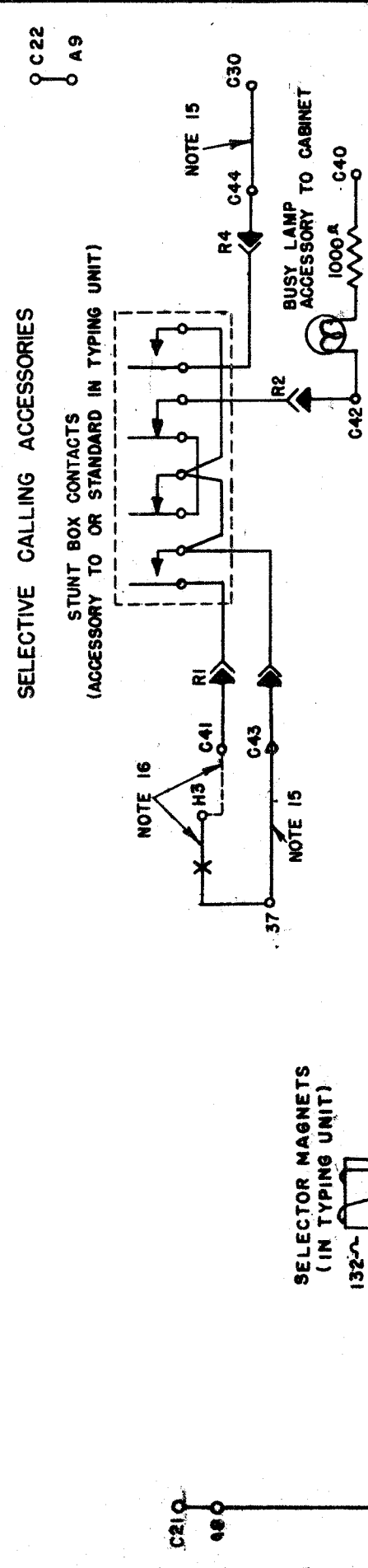
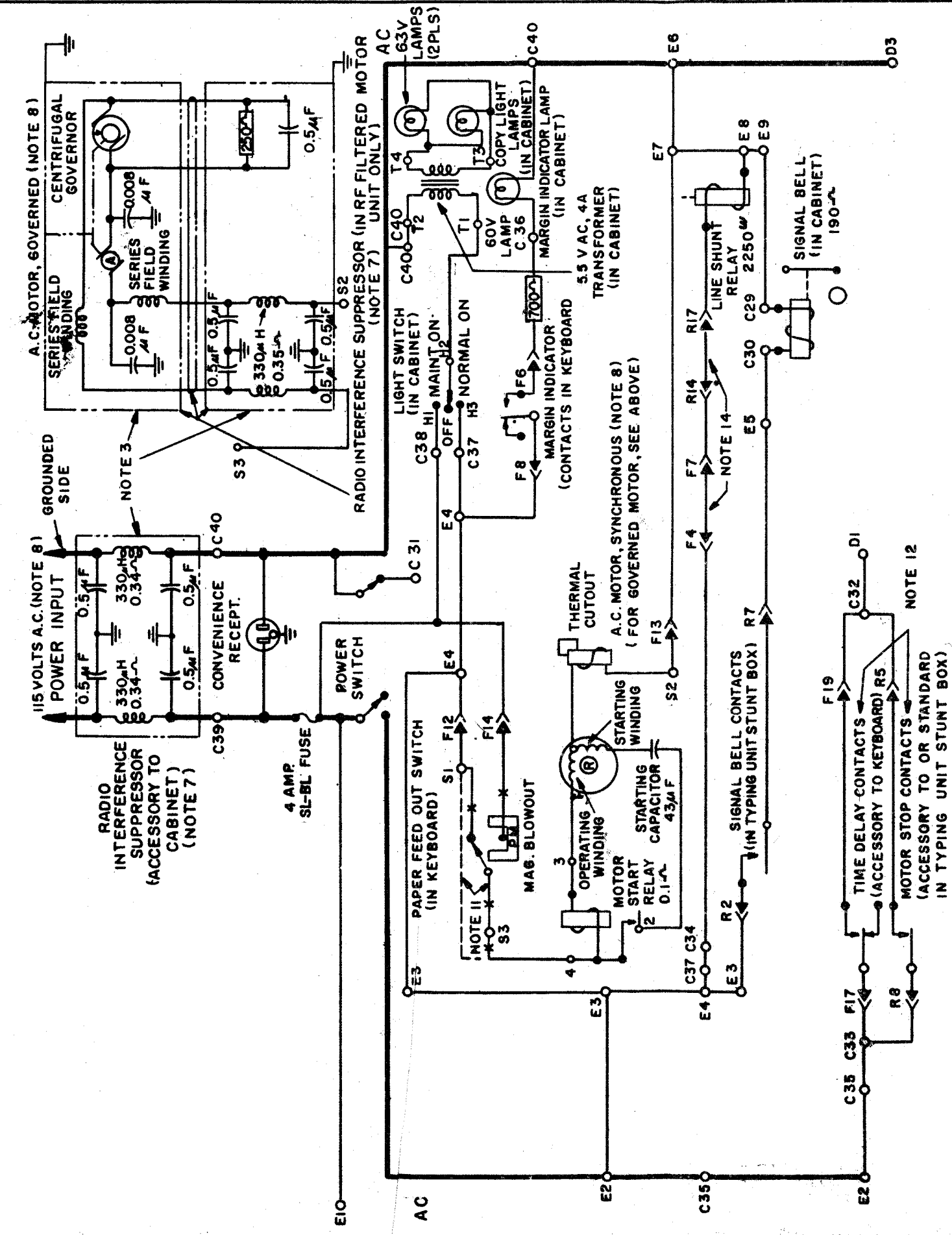


NO.	NOTES
	FOR ACTUAL WIRING DIAGRAMS OF INDIVIDUAL UNITS, SEE: WDNUMBER UNITS DIRECTLY OPERABLE WITH LESU 7
1	2883WD BASE, RECEIVING ONLY - LB4 3236WD CABINETS - LAC 203, 204, 205 2874WD ELECTRICAL SERVICE UNIT LESU 7/184 2882WD KEYBOARDS - LK4, 5 2900WD MOTOR UNITS - LMU 3, 4, 6 2884WD PAGE TYPING UNITS - LP4, 5, 7 2880WD PAGE TYPING UNITS - LP6, 8
2	LEGEND A SELECTOR MAGNET TERMINAL BLOCK (IN LESU) B LINE TEST KEY TERMINAL BLOCK (IN LESE) C CABINET TERMINAL BLOCK D MOTOR CONTROL TERMINAL BLOCK (IN LESU) E POWER TERMINAL BLOCK (IN LESU) F KEYBOARD OR REC. ONLY BASE CONNECTOR. R TYPING UNIT CONNECTOR S MOTOR TERMINAL BLOCK (ON LK OR LB)
3	DOT DASH --- LINES INDICATE FILTERING SHIELDING AND SUPPRESSION NETWORKS.
4	ALL APPARATUS IS SHOWN IN UNOPERATED OR DE-ENERGIZED POSITIONS
5	a RESISTANCE VALUES IN OHMS (Ω) b INDUCTANCE VALUES IN MICRohenries (μH) c CAPACITANCE VALUES IN MICROFARADS (μF)
6	CIRCUITS SHOW FOR .060 AMP. NEUTRAL SIGNAL LINE OPERATION FOR .020 AMP. LINE CURRENT. ADD DASHED (---) CONNECTIONS AND OMIT CONNECTIONS MARKED (X) IN SELECTOR MAGNET CIRCUIT.
7	a USE POWER AND SIGNAL LINE SUPPRESSORS AND SYNC. OR GOV. FILTER MOTOR FOR INSTALLATIONS REQUIRING MINIMUM R.F. INTERFERENCE. b FOR OTHER INSTALLATIONS, OMIT SUPPRESSORS AND CONNECT INPUTS AND GOV. MOTOR, IF USED, DIRECT TO TERMINALS SHOWN.
8	USE SYNCHRONOUS MOTOR ON REGULATED 60V AC. 1% A.C. POWER ONLY. GOVERNED MOTOR AND OTHER POWER CIRCUITS OPERABLE ON 50-60V UNREGULATED A.C.
9	CIRCUITS SHOW BOTH HORIZONTAL TABULATOR AND FORM START CONTROL USED ON TYPING UNIT. WHEN ONLY ONE CONTROL IS USED, OMIT CONNECTION MARKED (X) AND ADD PROPER DASHED (---) CONNECTION IN TYPING UNIT CIRCUITS.

NO.	NOTES
10	FORM PAPER OUT ALARM CONTACTS MAY BE MOUNTED ON EITHER THE TYPING UNIT OR EXTERNAL TO THE CABINET. IN LATTER EVENT, CONNECTIONS ARE MADE DIRECTLY TO TERMINALS C25 AND C26
11	WHEN PAPER FEED-OUT SWITCH IS NOT USED, ADD DASHED (---) CONNECTIONS AND OMIT CONNECTIONS MARKED (X) IN MOTOR POWER CIRCUITS.
12	ASSOCIATED APPARATUS MAY CONTAIN INACTIVE ACCESSORY COMPONENTS
13	CIRCUITS SHOW A SIGNAL LINE BREAK SWITCH IN BOTH KEYBOARD AND RECEIVING ONLY BASE, WHEN SWITCH NOT USED, ADD DASHED (---) CONNECTIONS AND OMIT CONNECTIONS MARKED (X).
14	IF LK3 KEYBOARD LB3 REC. ONLY BASE, OR LP3 TYPING UNIT IS TO BE USED WITH LESU 7/184, STRAP F4 TO F7 AND/OR R14 TO R17 MUST BE ADDED TO ITS CONNECTORS IN ORDER TO COMPLETE LINE SHUNT RELAY CIRCUIT. (EITHER STRAP MAY ALREADY BE IN CIRCUIT)
15	CONNECTIONS FURNISHED BY THE CUSTOMER
16	WHEN BUSY LAMP AND AUXILIARY TERMINALS ARE USED OMIT CONNECTIONS MARKED (*) AND ADD DASHED (---) CONNECTIONS.

RTTY ELECTRONICS
TELETYPE-Sales-Service-Parts
PO Box 20101 El Sobrante, Ca.
94820. (510)222-3102
mr_rtty@pacbell.net



2875WD

REVISIONS		
ISSUE	DATE	AUTH. NO.
D	12-30-68	28-726
E	5-8-67	28-726
F	7-11-57	28-726
G	3-18-62	69727-22
H	11-20-63	78839

LESU 7/184

SCHEMATIC WIRING DIAGRAM MODEL 8 PAGE BRACKETED WITH FACTORY PROVIDED BY ELEC SERVICE AND A DATE: 11-20-63

2875